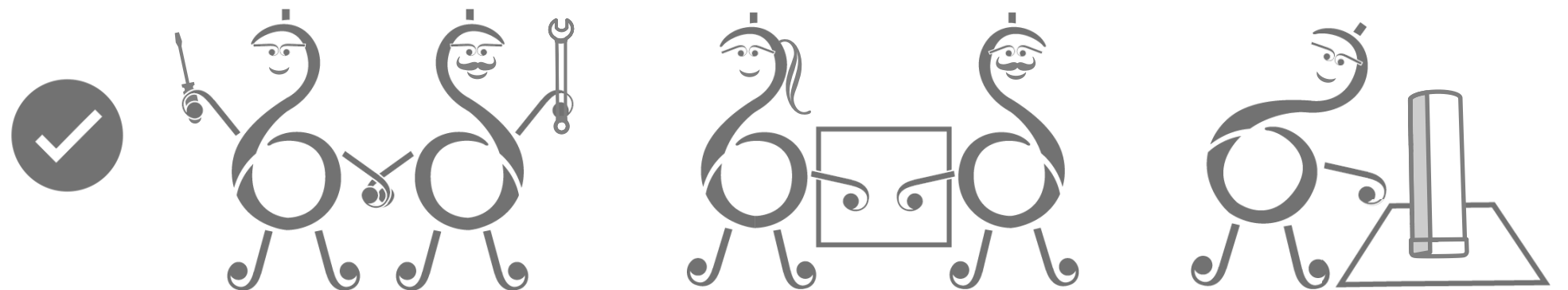
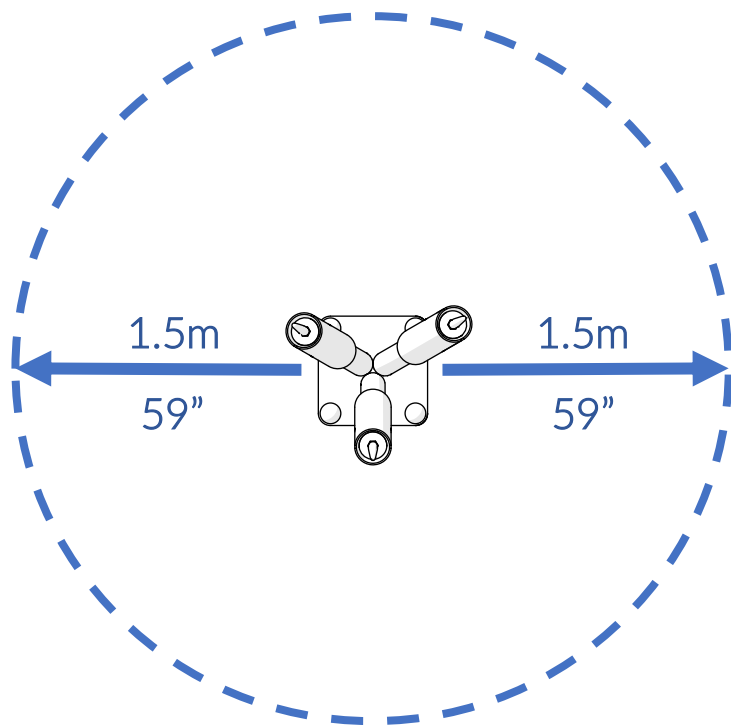


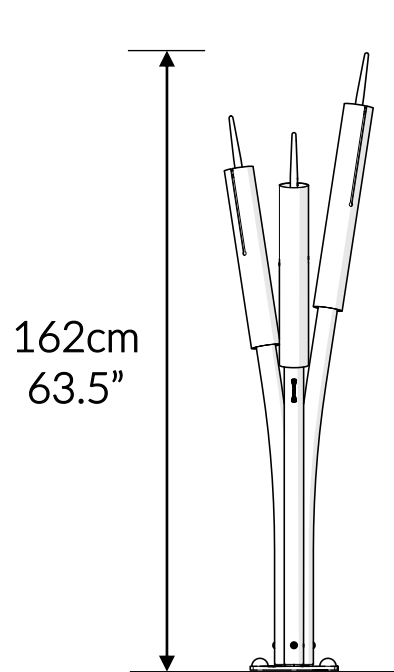
Part Reference	Description
PP-CATT-S3-MA-SU	Cattails C-Major Triad (Set of 3) (Surface Fix)
PP-CATT-S3-MI-SU	Cattails A-Minor Triad (Set of 3) (Surface Fix)



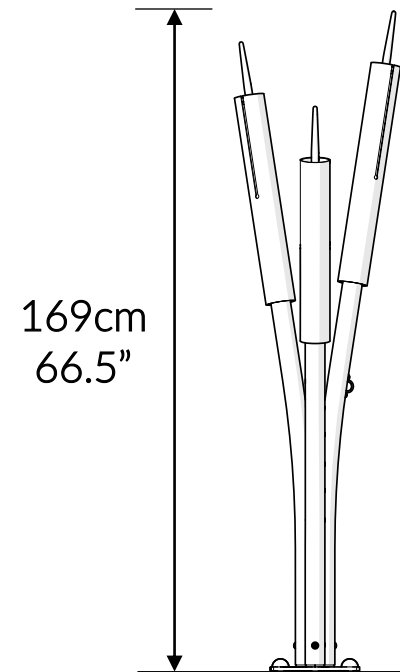




Check Risk Assessment

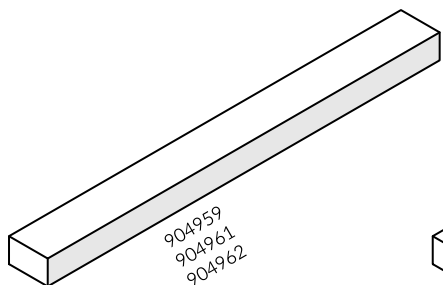


C-Major
Triad

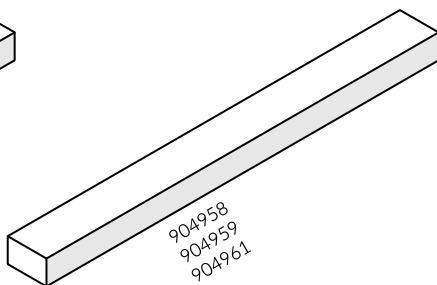


A-Minor
Triad

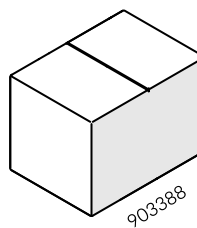
Packages



x3



x3



x1

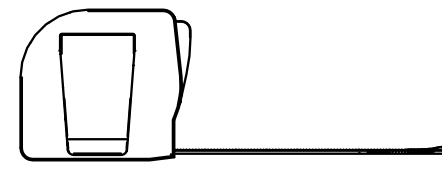
	C-major	A-minor	L	W	H	Weight	Net
x1	904959	904958	162cm / 64"	10cm / 4"	16cm / 6"	6kg / 13lbs	
x1	904961	904959				5kg / 11lbs	
x1	904962	904961					
x1	903388		32cm / 12.5"	23cm / 9"	23cm / 9"	6kg / 13lbs	

Tools required (not supplied)

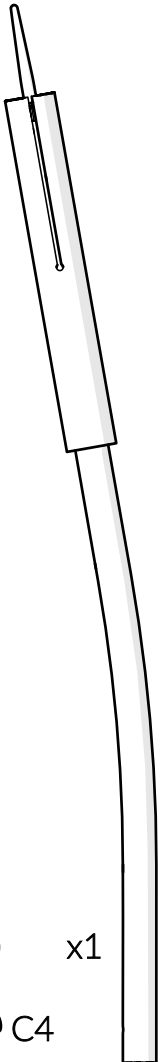
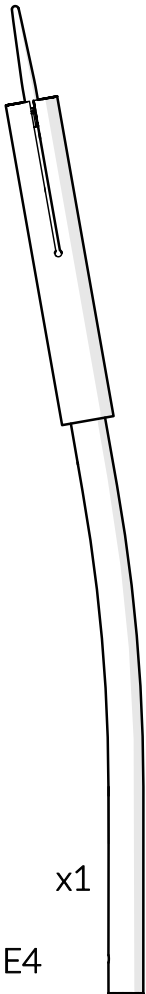
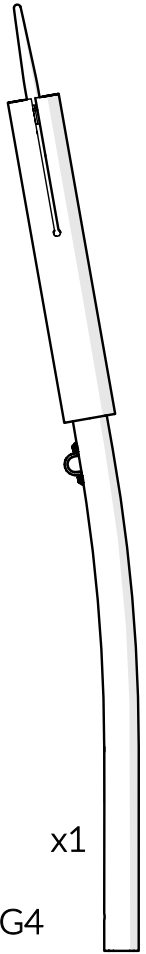
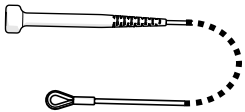
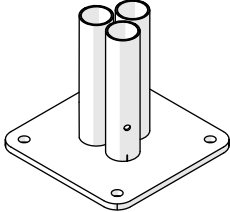
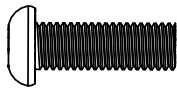

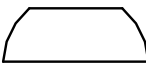

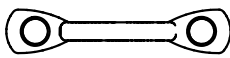
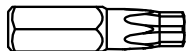
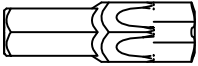
¼" Bit Driver Ratchet



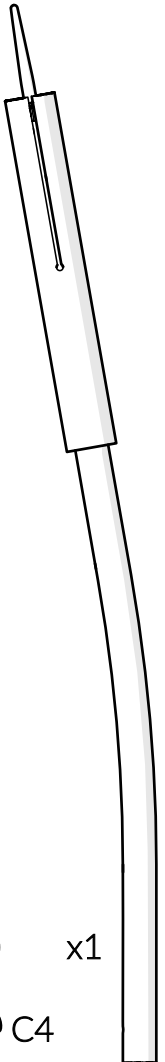
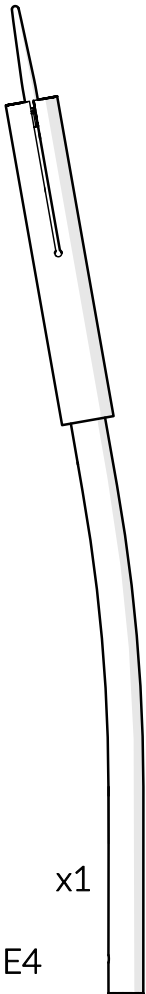
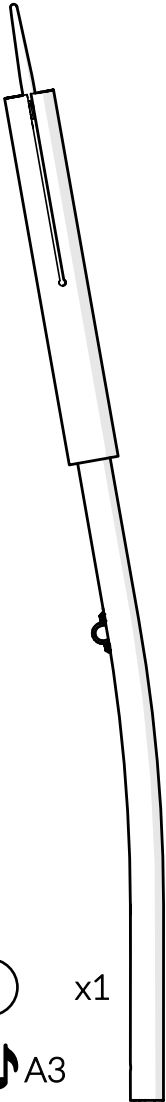
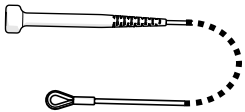
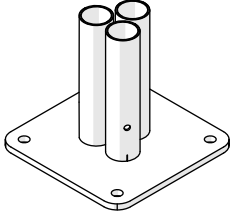
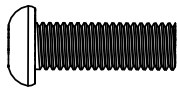

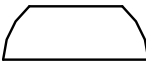



Tape Measure



C-Major Triad

904959	904961	904962		903388	
 <p>① x1 C4</p>	 <p>② x1 E4</p>	 <p>③ x1 G4</p>	<p>⑤ x1 900873</p> 	<p>④ x1 803387</p> 	<p>Ⓐ x3 500682</p> 
			<p>Ⓑ x2 500746</p> 	<p>Ⓓ x4 601543</p> 	<p>Ⓔ x4 601542</p> 
			<p>Ⓒ x1 603150</p> 	<p>TX30 x1 500473</p> 	<p>TX45 x2 500720</p> 

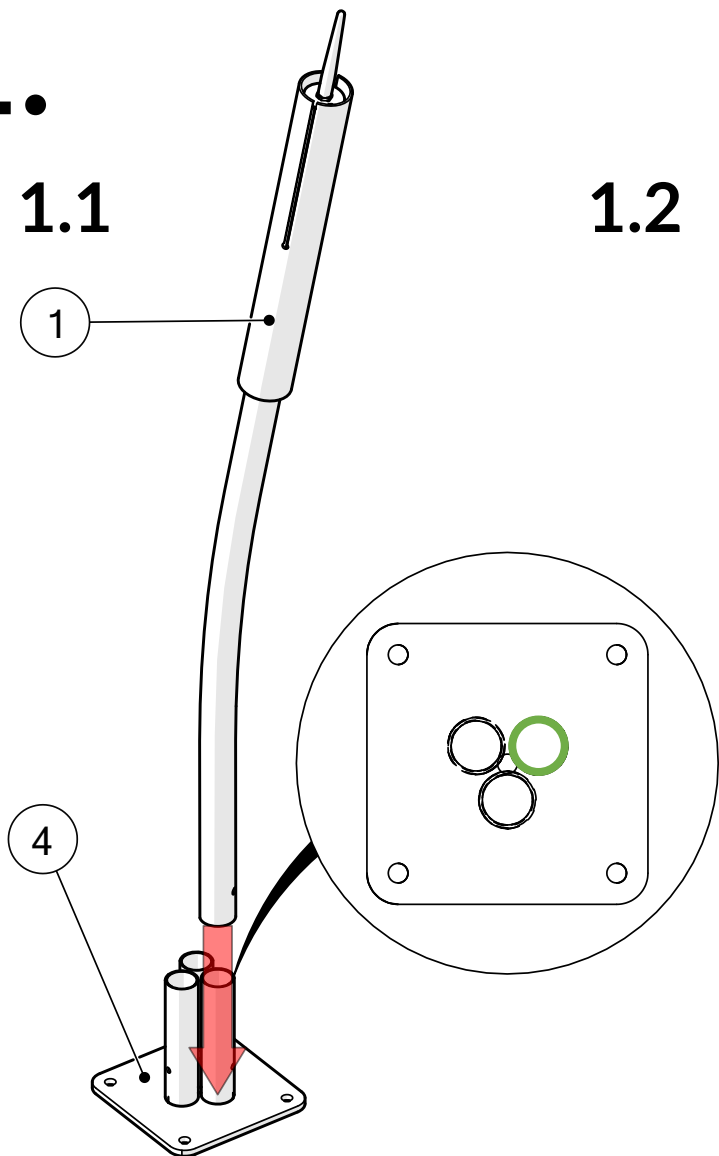
A-Minor Triad

904959	904961	904958		903388	
 <p>① x1 C4</p>	 <p>② x1 E4</p>	 <p>③ x1 A3</p>	<p>⑤ x1 900873</p> 	<p>④ x1 803387</p> 	<p>Ⓐ x3 500682</p> 
			<p>Ⓑ x2 500746</p> 	<p>Ⓓ x4 601543</p> 	<p>Ⓔ x4 601542</p> 
			<p>TX30 x1 500473</p> 	<p>TX45 x2 500720</p> 	

1.

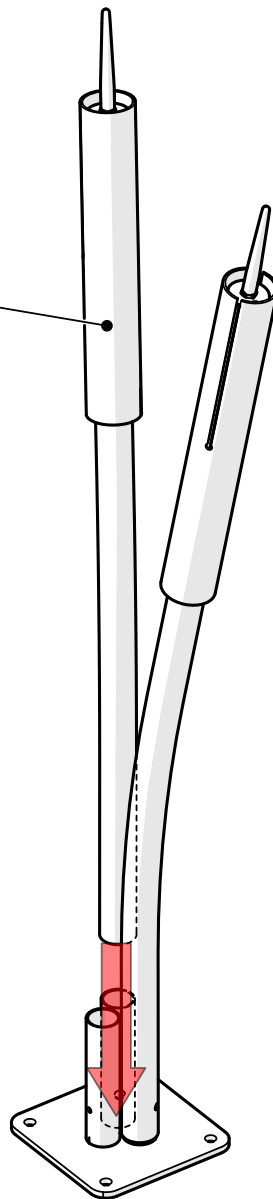
1.1

1



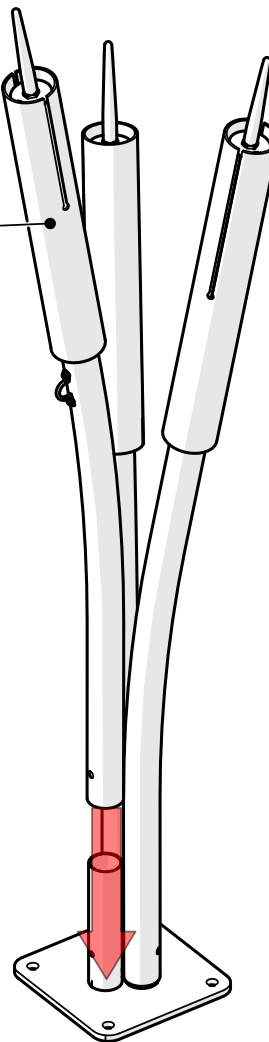
1.2

2

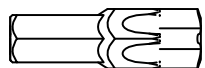
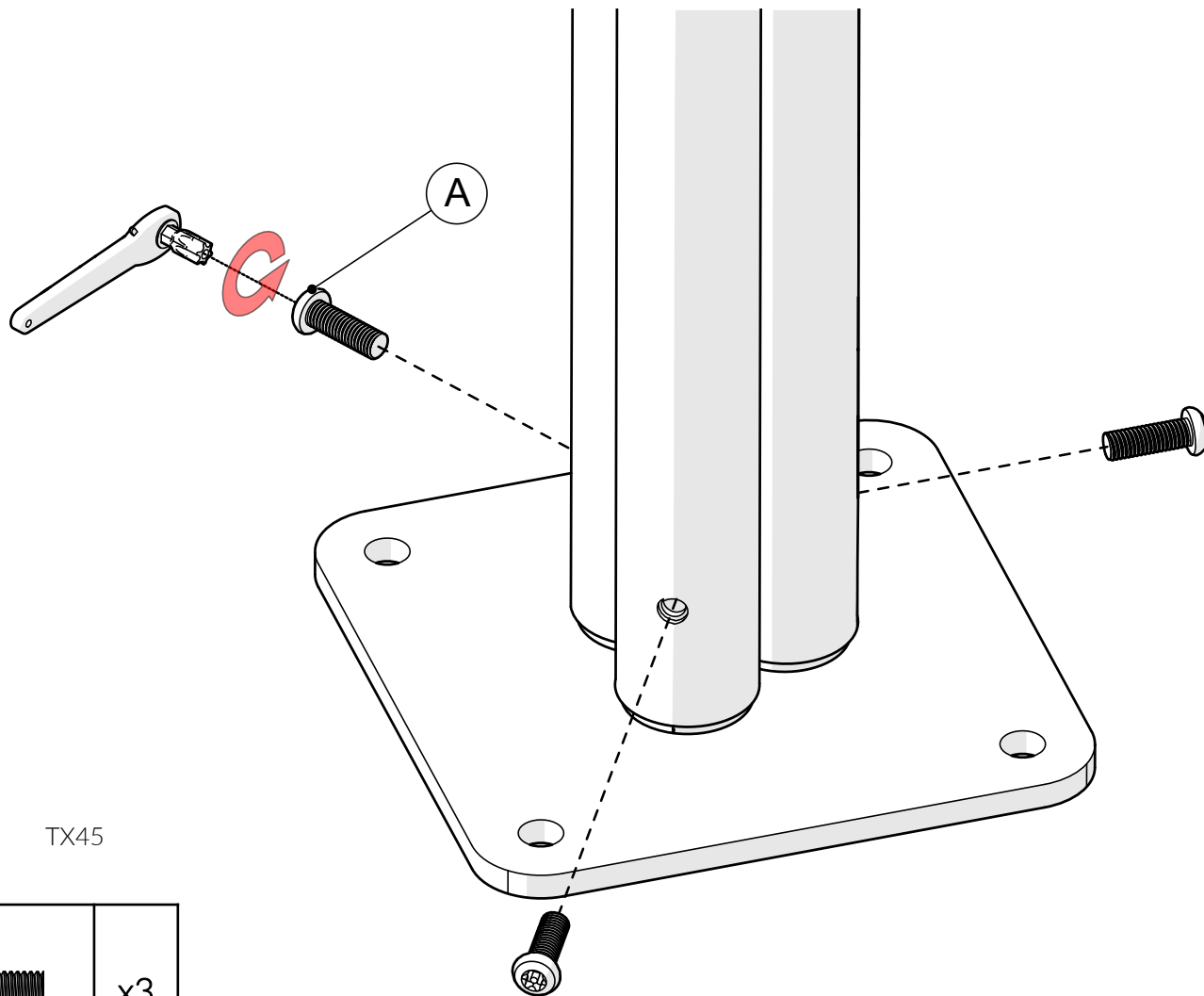


1.3

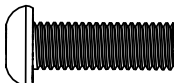
3



2.



TX45

A		x3
---	---	----

3.

Surface fixing should not present a hazard



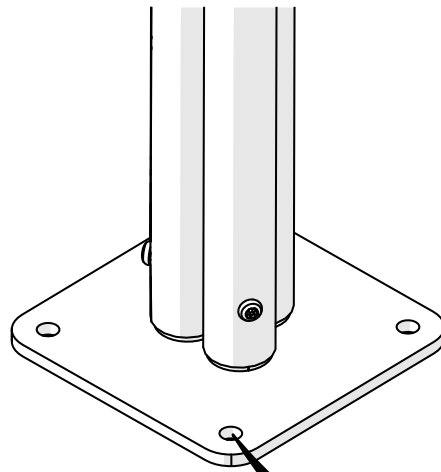
Refer to your local Health & Safety standards

D		x4
E		x4

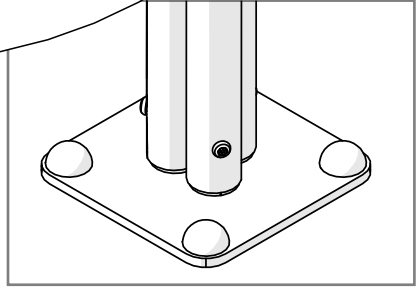
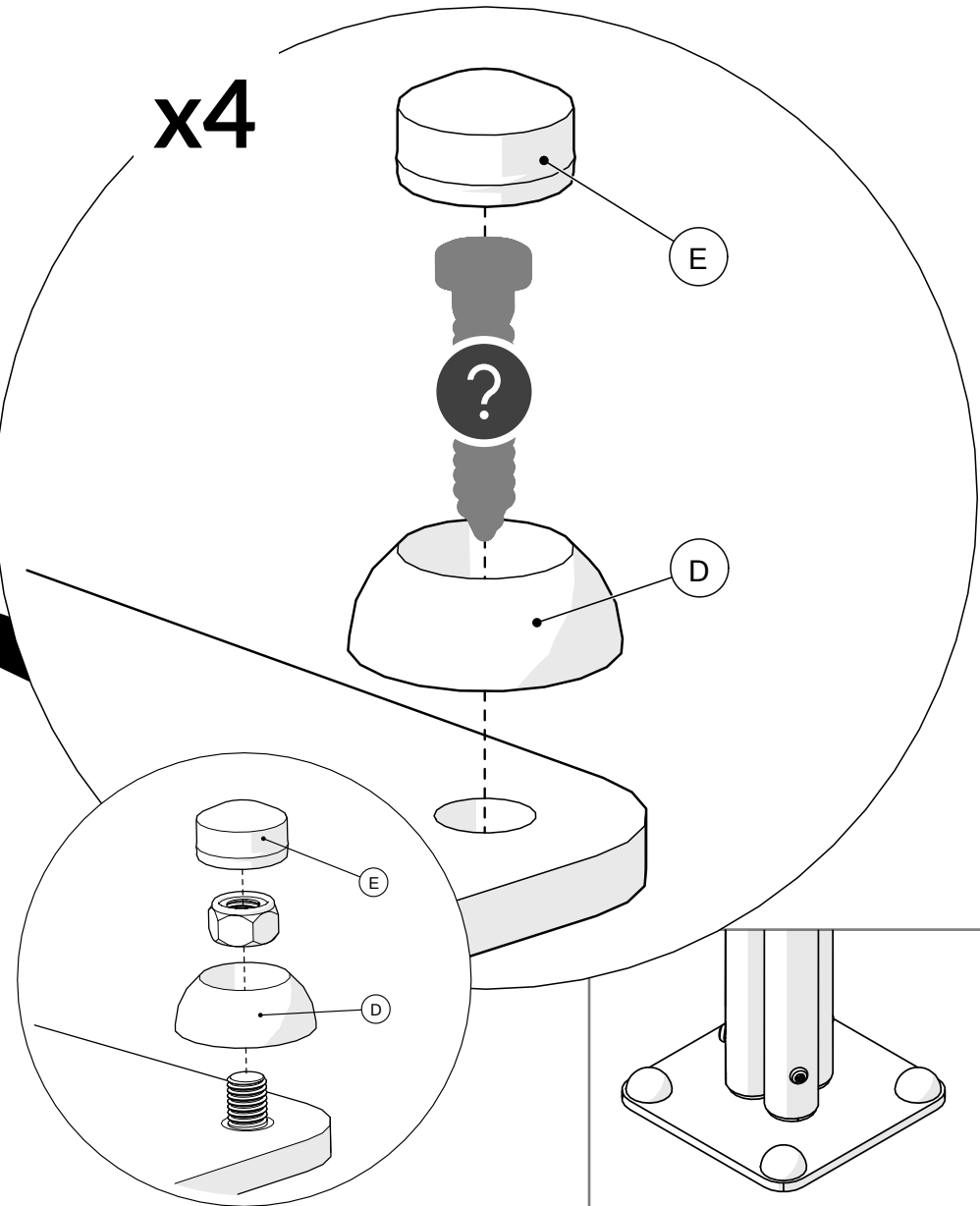
Surface

Example fixing

	Wood		x4
	Concrete		x4
	Brick		x4

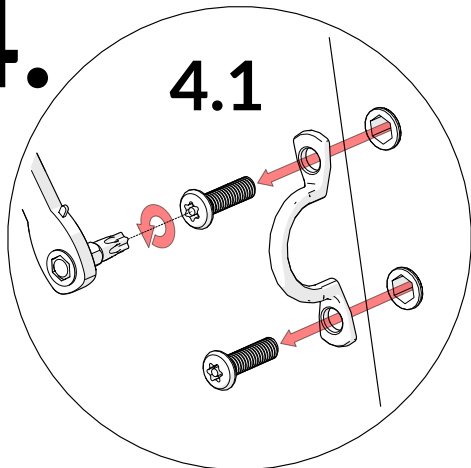


x4



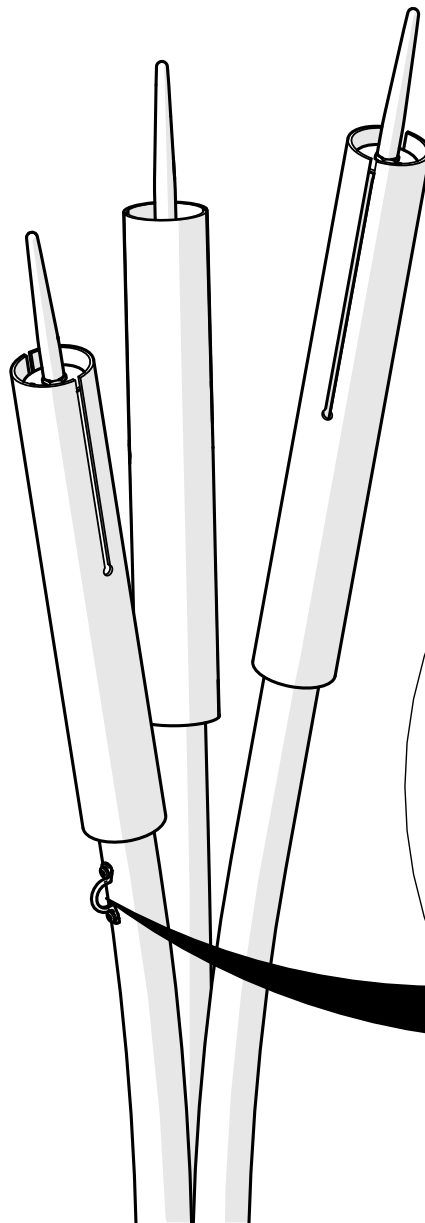
4.

4.1

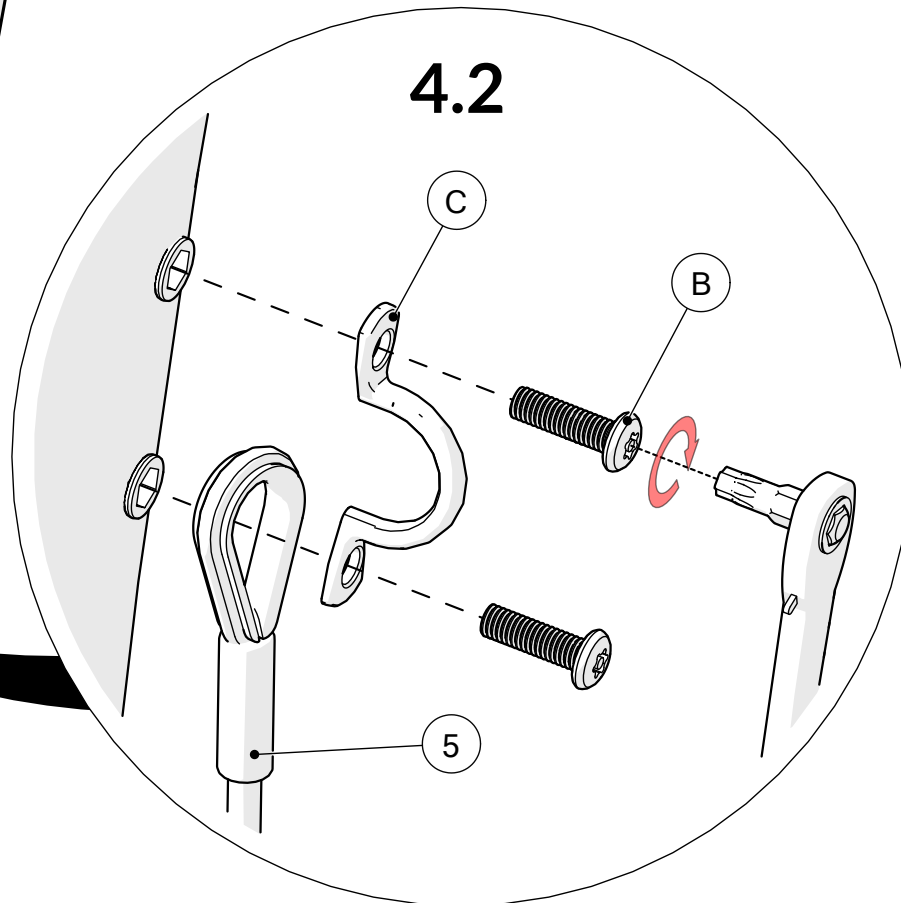


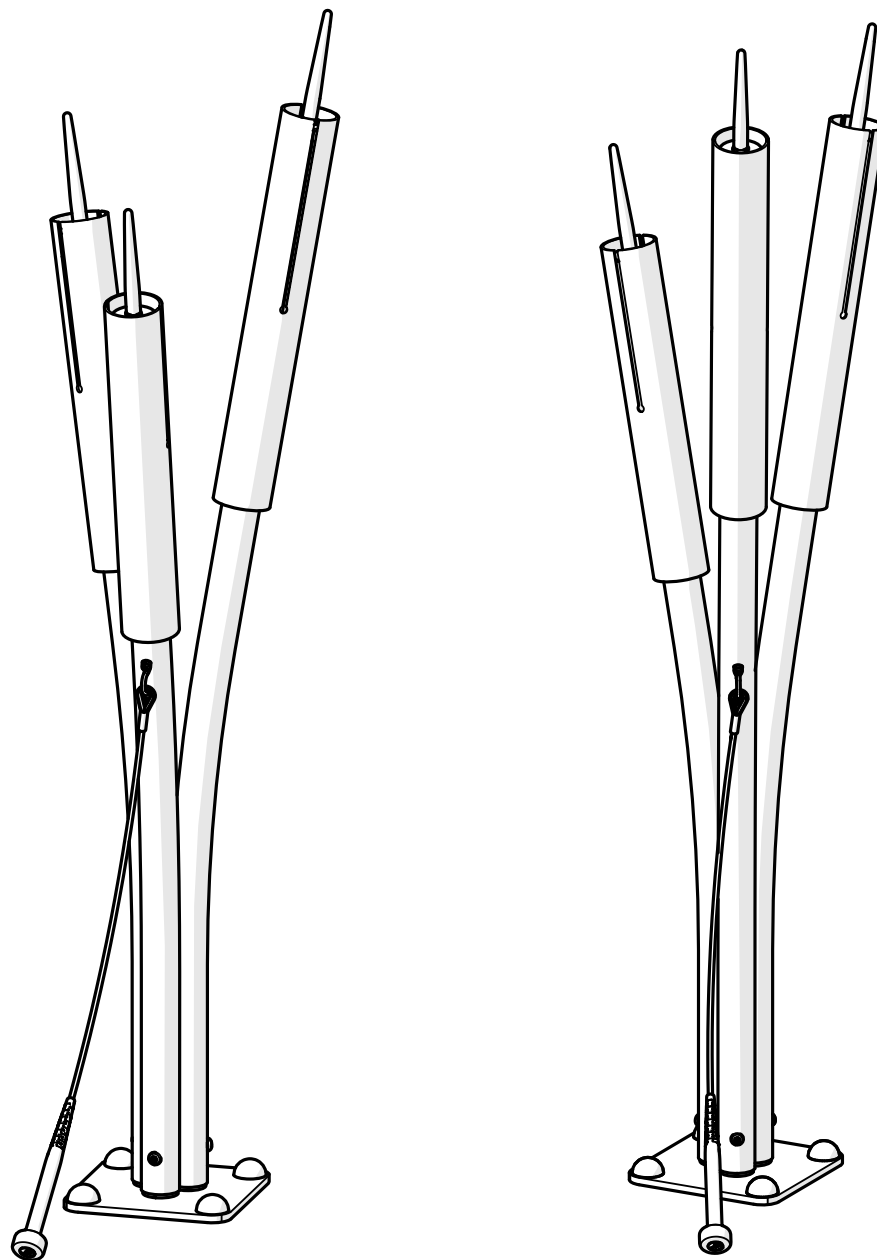
TX30

5		x1
B		x2
C		x1



4.2





percussionplay.com



info@percussionplay.com



UK
[01730 235 180](tel:01730235180)

USA & CAN
[+1 \(866\) 882 9170](tel:+18668829170)

EUR & ROW
[+44 1730 235 180](tel:+441730235180)