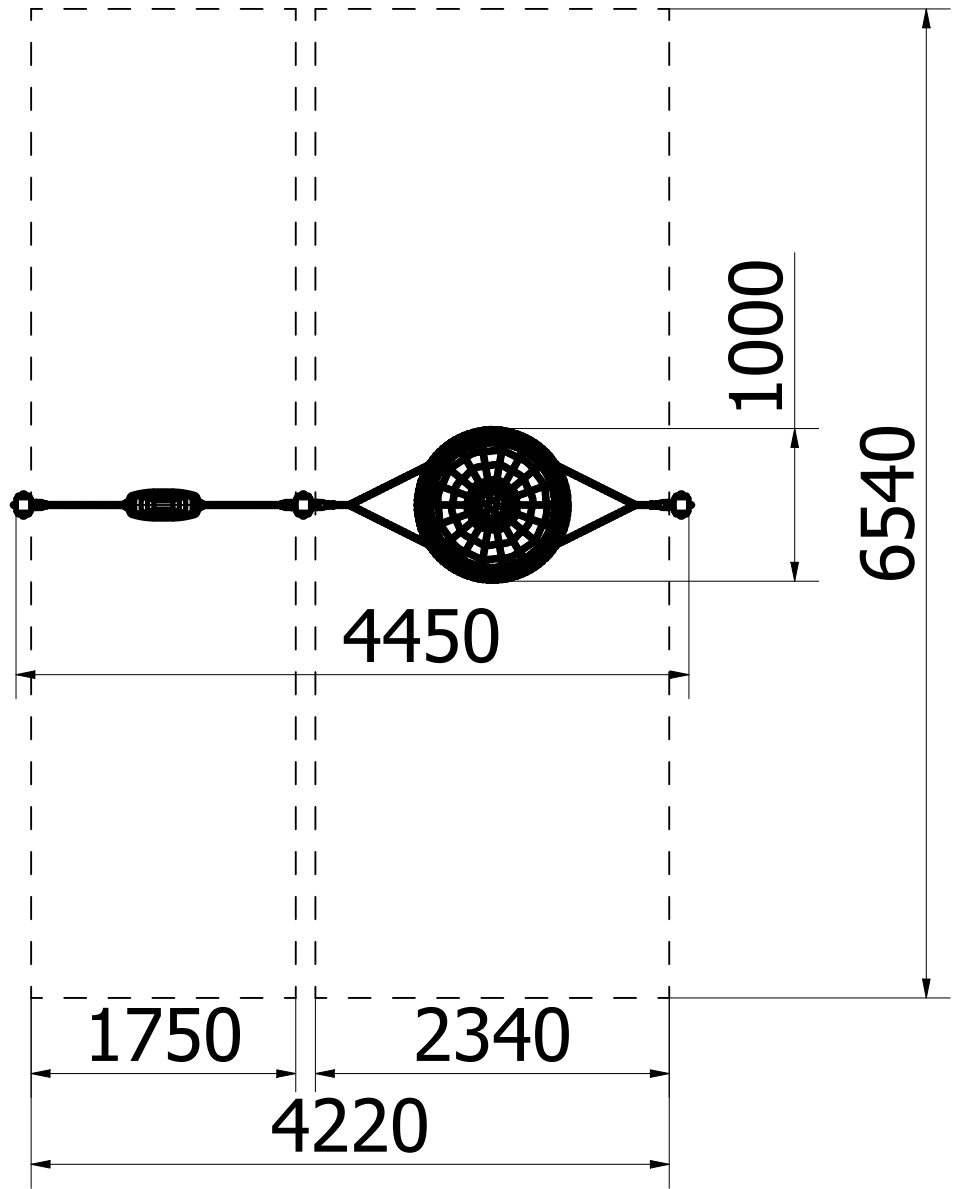
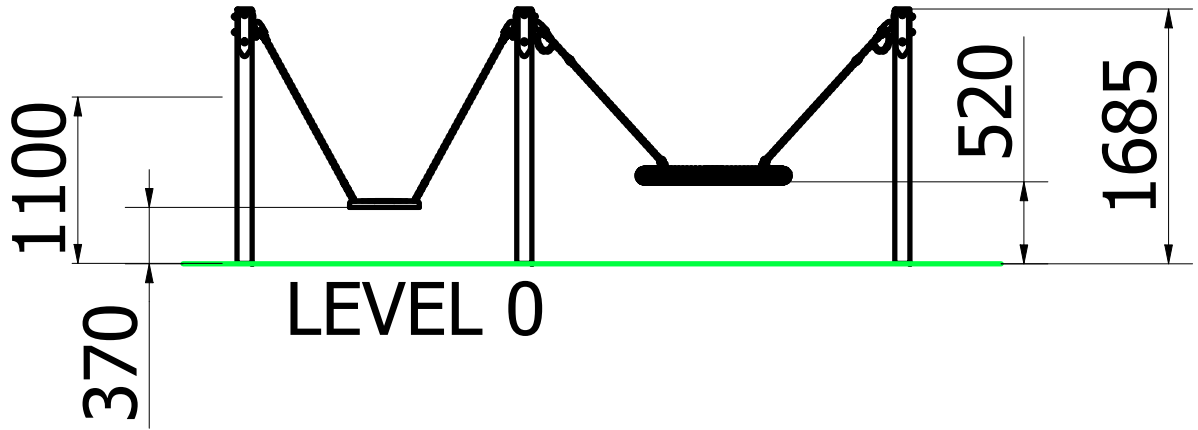


**MFHF/MSWU**



SCALE  
1 : 50

FORMAT  
A4