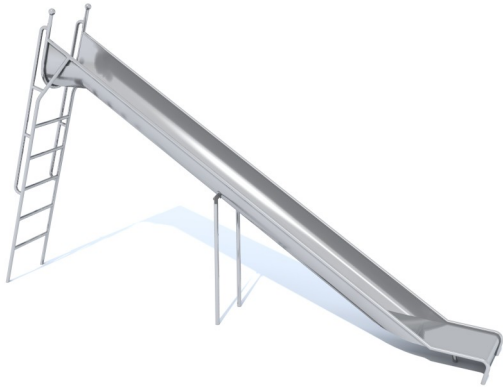


FRABINA H 2,0 m

Code: IS-MO-603



Physical



Social-emotional



Sliding down



Climbing



Socialisation

Description

The freestanding slide made of matte stainless steel is a perfect choice for those who value modern design and top-quality craftsmanship. The slide is 4.79 m long and has a sliding width of 0.5 m – ideal for intensive use on any playground.

For those who want to add some color to the playground, we offer the option to paint the slide – this is an optional extra; please consult the seller for available color options.

Match the color of the slide to its surroundings and create a truly unique play feature!

Playground device consists of

- 1 x straight slide
- 1 x climbing ladder
- 1 x foundation legs to embed

Product details

- Dimensions (LxWxH): 4,79 x 0,59 x 2,75 m
- Safety area: 8,29 x 3,57 m
- Safety area on the end of the slide: 2,00 m
- Free fall height: 2,00 m
- Age group: 4+
- A certificate confirming compatibility with norm EN 1176

- Differences in dimensions no more than $\pm 5\%$ are acceptable

Materials

- Matt stainless steel (0304), the thickness of steel plate 2 mm
- Foundation legs made of stainless steel

All images are for illustrative purposes only and may vary from the actual product.

