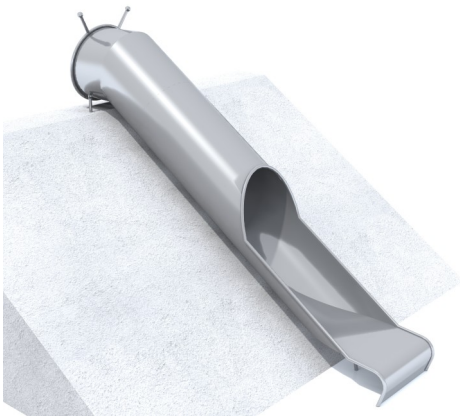


TUBO H2050

Code: IS-MO-502



Physical



Sliding down



Social-emotional



Socialisation

Description

The **TUBO H2050 tube slide** is a timeless playground element that provides children with dynamic and safe play. Its enclosed tube design adds excitement and creates unforgettable sliding experiences every time. It is perfect for any recreational space — both in parks and residential areas. High-quality workmanship guarantees durability, safety, and long-term use. The slide is designed for installation on an embankment, allowing it to be naturally and aesthetically integrated into the playground environment. Additionally, you can choose from various colour options to better match the equipment to its surroundings and enhance its character — this option is available at an extra cost; consult the seller for available colours.

The **TUBO H2050 tube slide** consists of a straight tube-shaped slide that ensures a safe descent. The structure is supported by three foundation legs made of stainless steel, providing high strength, complete corrosion resistance, as well as excellent stability and durability of the entire unit. The slide is made entirely of stainless steel AISI 304 (1.4301), with a sheet thickness of 2 mm and a 33.7 × 2 mm profile; the surface is bead-blasted, weather-resistant, and easy to maintain. The upper part of the slide is equipped with two handles finished with spherical elements, making it easier for children to enter safely at the start.

Playground device consists of

- 1 tube slide
- 3 foundation legs to embed

Product details

- Dimensions (L×W×H): 4,17 x 0,85 x 3,12 m
- Safety area (L×W): 7,67 x 4,15 m

- Maximum fall height: 0,34 m
- Embankment height (L1): 1650-2050 mm
- Embankment length (L2): 3666 mm
- Embankment width (L3): 3039 mm
- Age: 3+
- Number of users: 2
- A certificate confirming compatibility with norm EN 1176
- Differences in dimensions no more than +/- 5% are acceptable

Materials

- Polished slide made entirely of stainless steel AISI 304 (1.4301) with a sheet thickness of 2 mm and a profile of 33.7×2 mm
- Foundation legs made of stainless steel

All images are for illustrative purposes only and may vary from the actual product.

