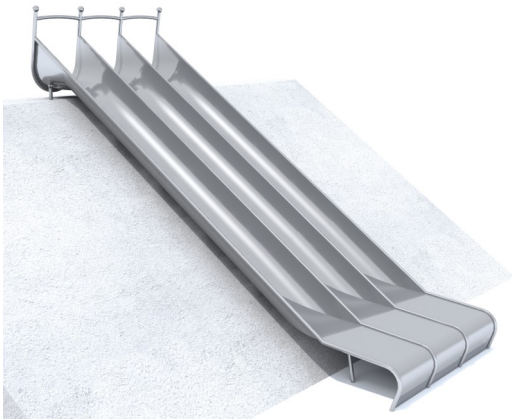


# GLITI RACE H2050

Code: 01-MO-375



Physical



Social-emotional



Sliding down



Integration



Socialisation

## Description

The **GLITI RACE H2050 embankment slide** is a dynamic playground element designed to deliver great fun, exciting competition, and joyful social integration! Thanks to its wide, triple-lane trough slide, it allows many children to play together at the same time, maximizing enjoyment and reducing waiting time. Made from durable, stainless materials, it ensures the highest level of safety and exceptional longevity.

The **GLITI RACE H2050 embankment slide** consists of three straight trough-shaped slides that enable parallel and safe sliding. The structure is supported by nine foundation legs made of stainless steel, ensuring high strength, complete corrosion resistance, and excellent stability and durability of the entire unit. The slide is made entirely of stainless steel AISI 304 (1.4301), with a sheet thickness of 2 mm and a 33.7 × 2 mm profile; the surface is polished, weather resistant, and easy to maintain.

## Playground device consists of

- 3 straight trough-shaped slides
- 9 foundation legs

## Product details

- Dimensions (L×W×H): 4,17 x 1,68 x 2,93 m
- Safety area (L×W): 7,67 x 4,68 m
- Maximum fall height: 0,34 m

- Embankment height (L1): 1650-2050 mm
- Embankment length (L2): 3666 mm
- Embankment width (L3): 3039 mm
- Age: 33+
- Number of users: 6
- Differences in dimensions no more than +/- 5% are acceptable

### **Materials**

- Polished slide made entirely of stainless steel AISI 304 (1.4301) with a sheet thickness of 2 mm and a profile of  $33.7 \times 2$  mm
- Foundation legs made of stainless steel

All images are for illustrative purposes only and may vary from the actual product.

