

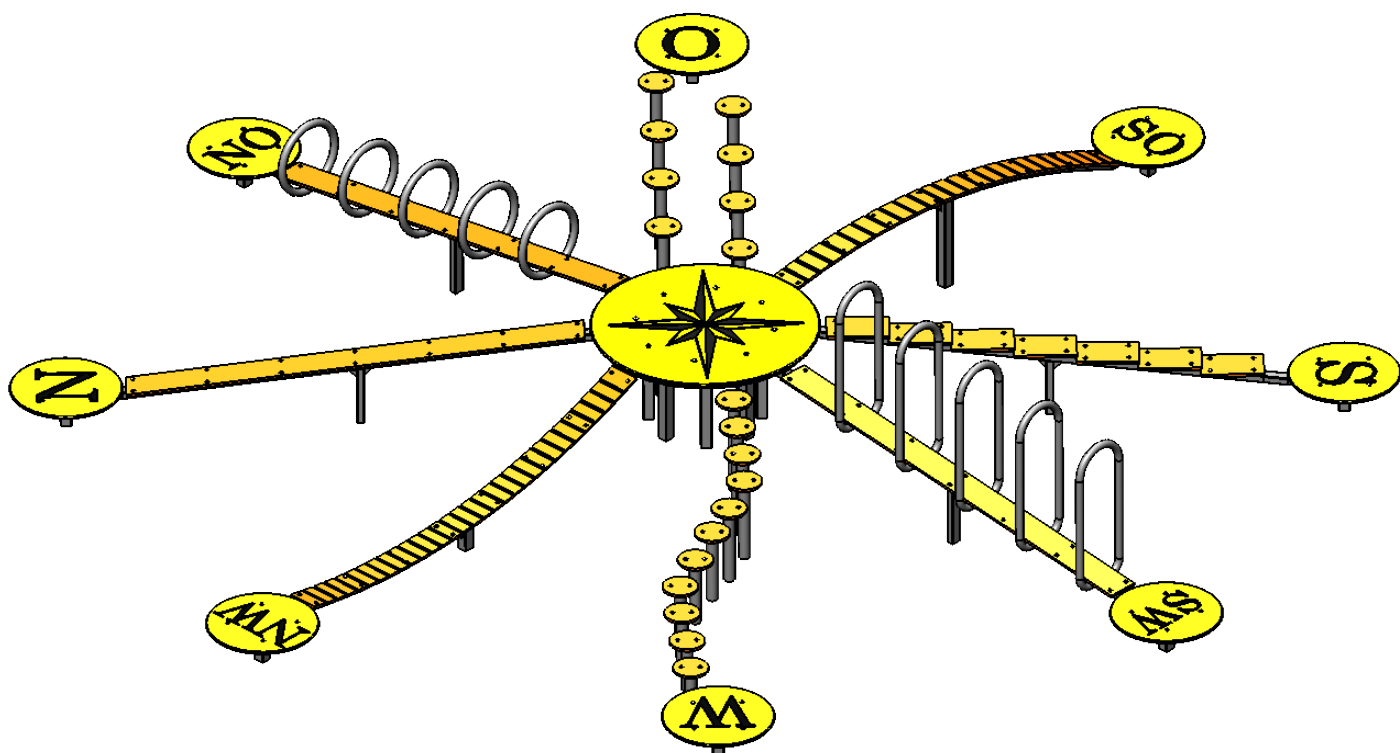
A

B

C

D

E



UNLESS OTHERWISE SPECIFIED:
 DIMENSIONS ARE IN MILLIMETERS
 WEIGHT ARE IN KILOGRAMM

Product code:

TKR001

NAME

SIGNATURE

DATE

DRAWN

I.Agar

02.08.2024

DESCRIPTION:

Balancing equipment Compass

READYMADE

Verklighet för drömmar

A4

WEIGHT:

SCALE: 1:40

SHEET 1 OF 15

Safety area

A

B

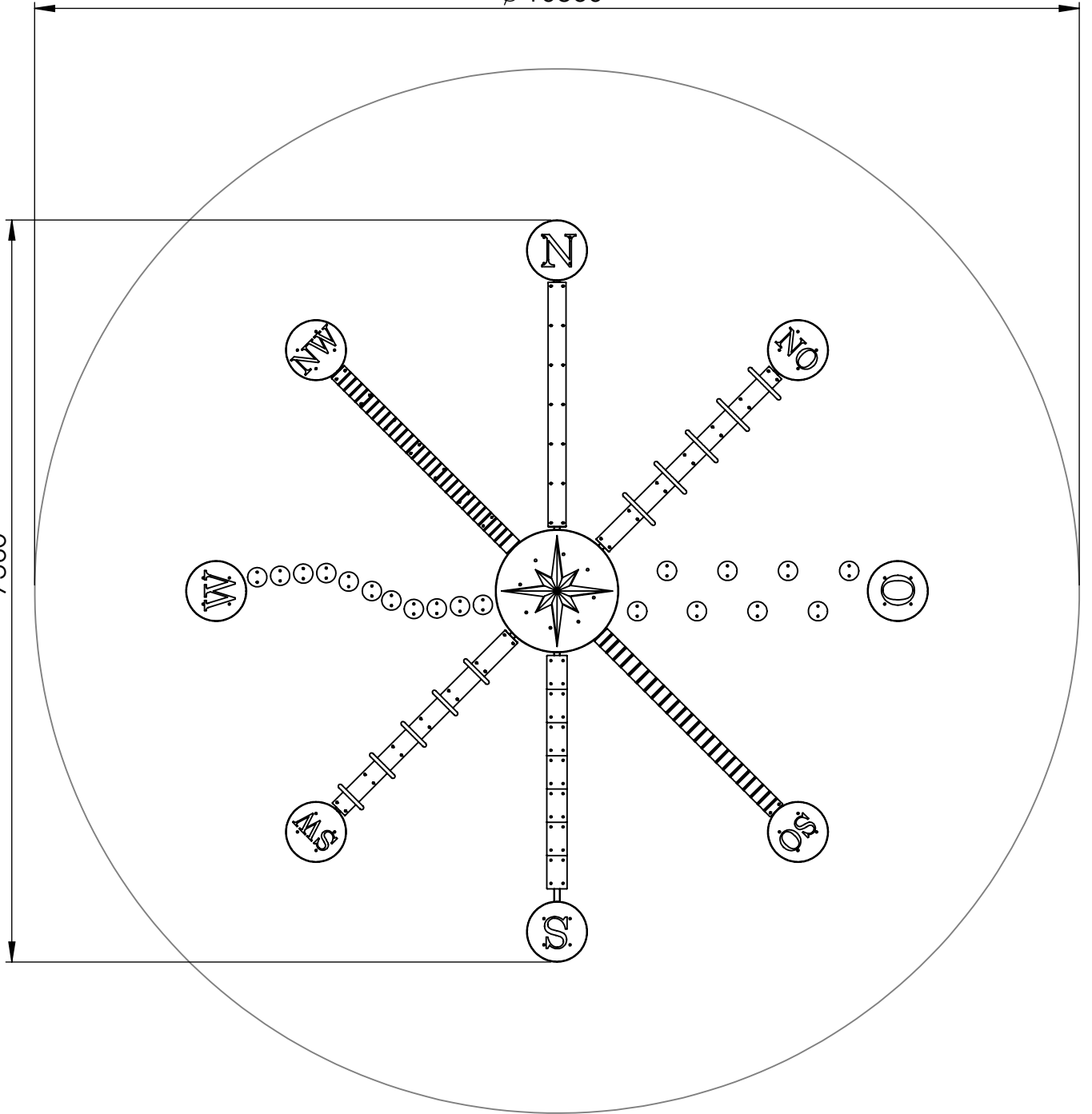
C

D

E

Ø 10360

7360



UNLESS OTHERWISE SPECIFIED:
DIMENSIONS ARE IN MILLIMETERS
WEIGHT ARE IN KILOGRAMM

Product code:

TKR001

NAME

SIGNATURE

DATE

DRAWN

I.Agar

02.08.2024

DESCRIPTION:

Balancing equipment Compass

READYMADE

Verklighet för drömmar

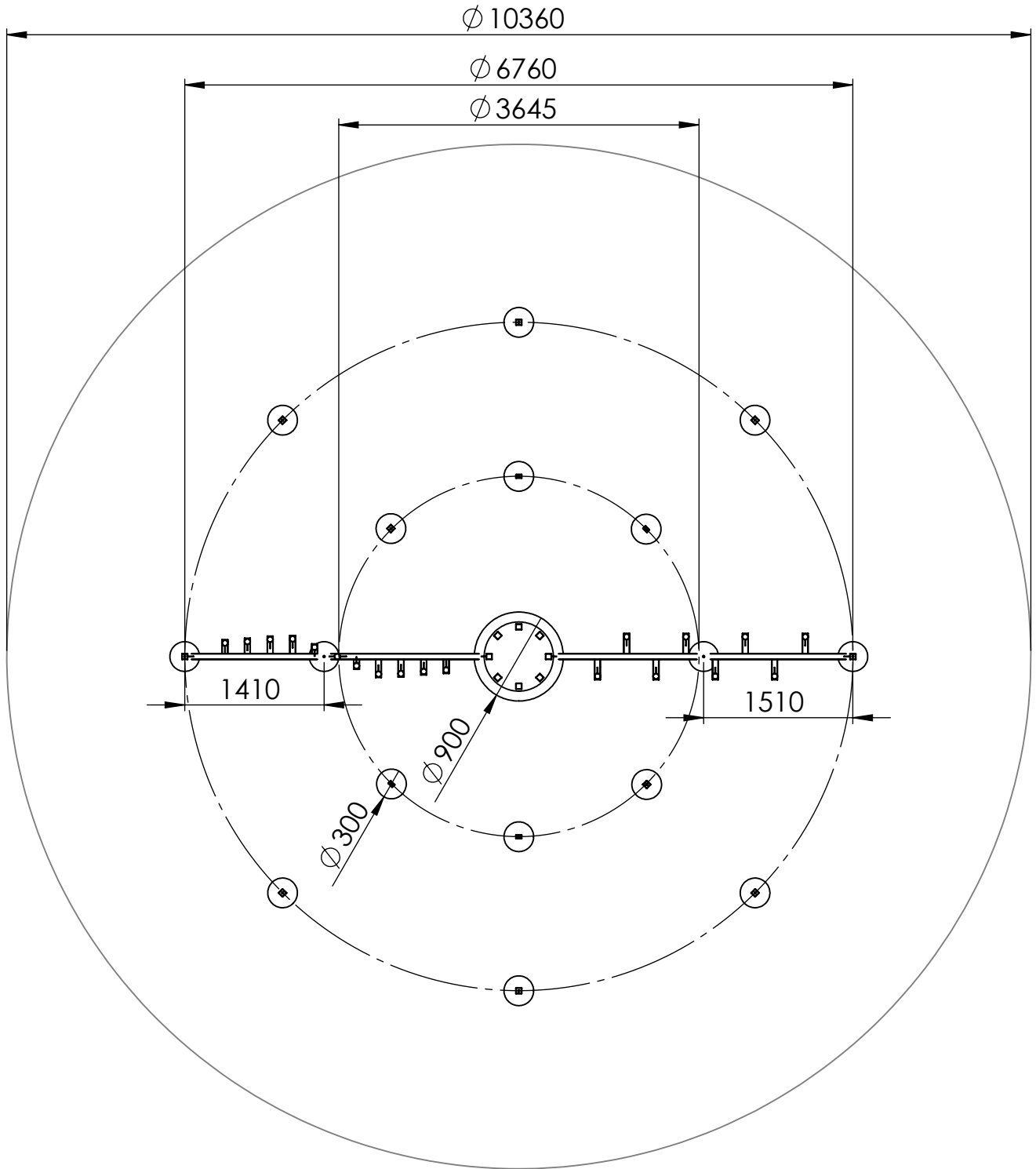
A4

WEIGHT:

SCALE: 1:60

SHEET 2 OF 15

Foundation



Depth of foundation: 600mm

UNLESS OTHERWISE SPECIFIED:
DIMENSIONS ARE IN MILLIMETERS
WEIGHT ARE IN KILOGRAMM

Product code:

TKR001

DESCRIPTION:

Balancing equipment Compass

	NAME	SIGNATURE	DATE
DRAWN	I.Agar		02.08.2024



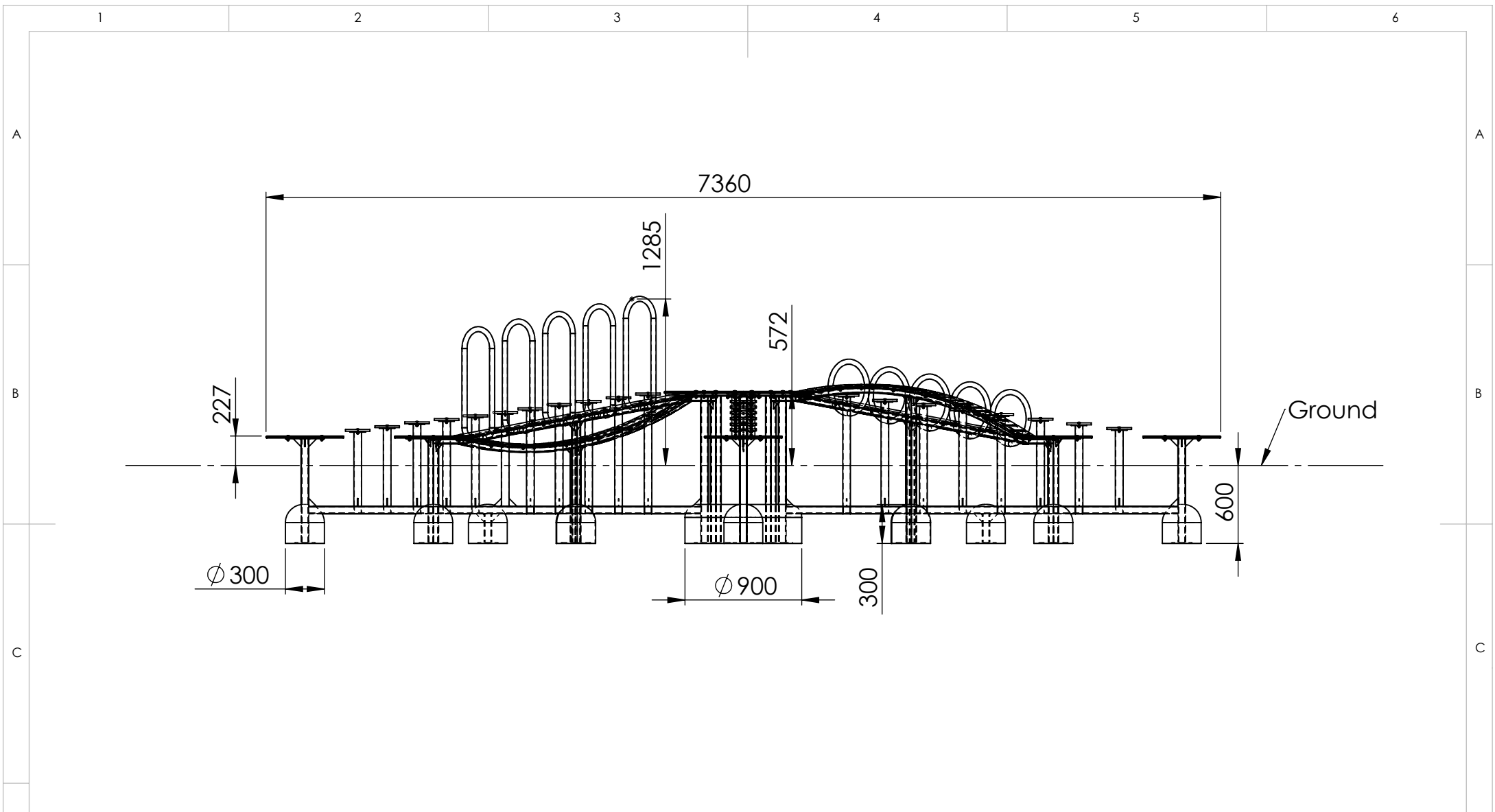
Verklighet för drömmar

WEIGHT:

SCALE: 1:60

A4

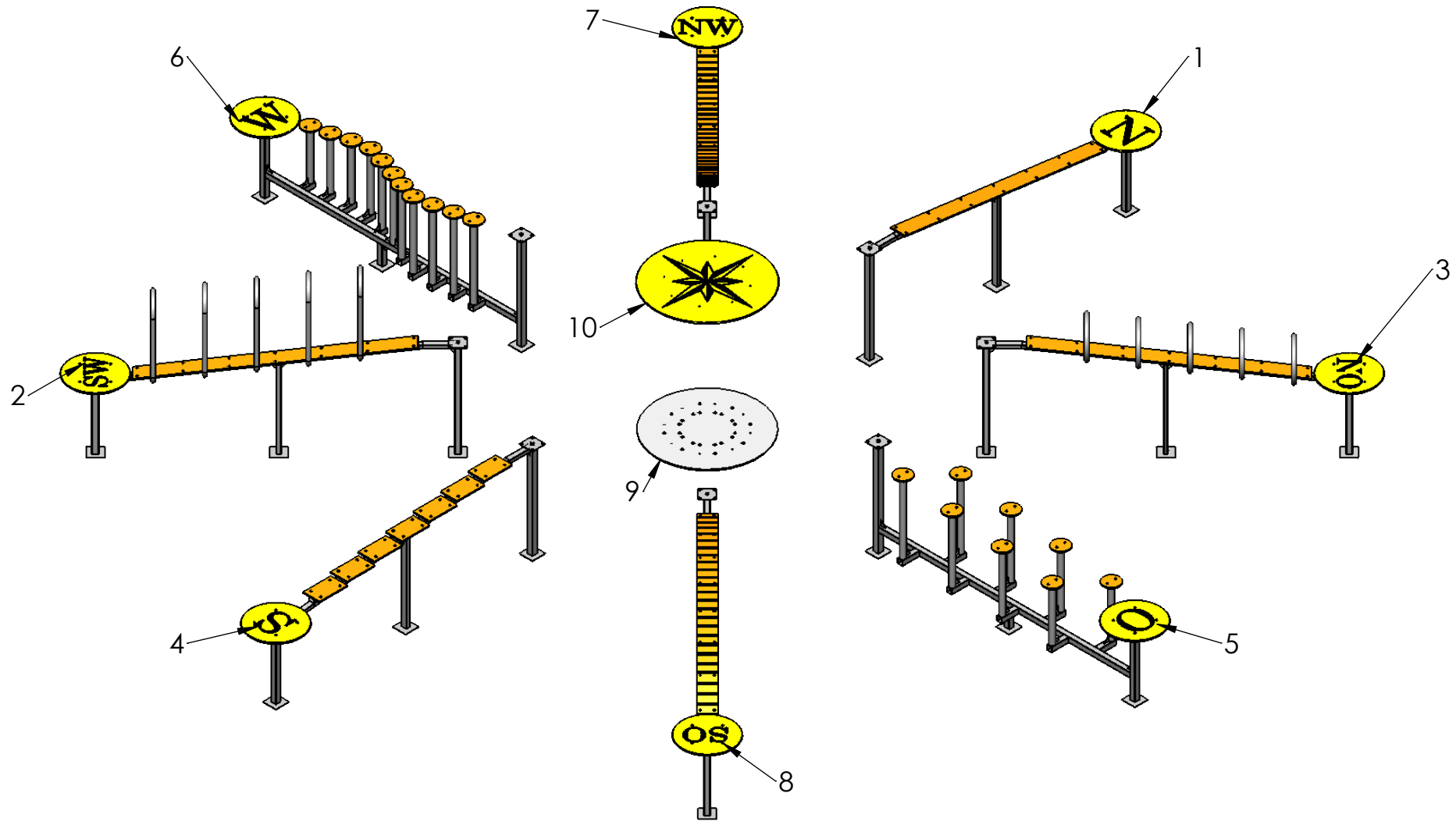
SHEET 3 OF 15



UNLESS OTHERWISE SPECIFIED: DIMENSIONS ARE IN MILLIMETERS WEIGHT ARE IN KILOGRAMM				Product code: TKR001	
	NAME	SIGNATURE	DATE	DESCRIPTION: Balancing equipment Compass	
DRAWN	I.Agar		02.08.2024		
				A4	
				WEIGHT:	SCALE: 1:40
				SHEET 4 OF 15	

READYMADE
Verklighet för drömmar

stap^{ÖÜ}



UNLESS OTHERWISE SPECIFIED:
 DIMENSIONS ARE IN MILLIMETERS
 WEIGHT ARE IN KILOGRAMM

	NAME	SIGNATURE	DATE
DRAWN	I.Agar		02.08.2024

Product code: **TKR001**

DESCRIPTION: **Balancing equipment Compass**

WEIGHT:	SCALE: 1:50	A4
		SHEET 5 OF 15

	1	2	3	4
A	ITEM NO.	PART NUMBER	DESCRIPTION	QTY.
	1	TKR001 leg 1	galvanized steel, HDPE plastic	1
	2	TKR001 leg 2	galvanized steel, HDPE plastic	1
B	3	TKR001 leg 3	galvanized steel, HDPE plastic	1
	4	TKR001 leg 4	galvanized steel, HDPE plastic	1
	5	TKR001 leg 5	galvanized steel, HDPE plastic	1
	6	TKR001 leg 6	galvanized steel, HDPE plastic	1
C	7	TKR001 leg 7	galvanized steel, HDPE plastic	1
	8	TKR001 leg 8	galvanized steel, HDPE plastic	1
	9	TKR001 lower centre circle	HDPE plastic	1
D	10	TKR001 upper centre circle	HDPE plastic	1
E				

UNLESS OTHERWISE SPECIFIED:
DIMENSIONS ARE IN MILLIMETERS
WEIGHT ARE IN KILOGRAMM

Product code:

TKR001

NAME

SIGNATURE

DATE

DRAWN

I.Agar

02.08.2024

DESCRIPTION:

Balancing equipment Compass



Verklighet för drömmar

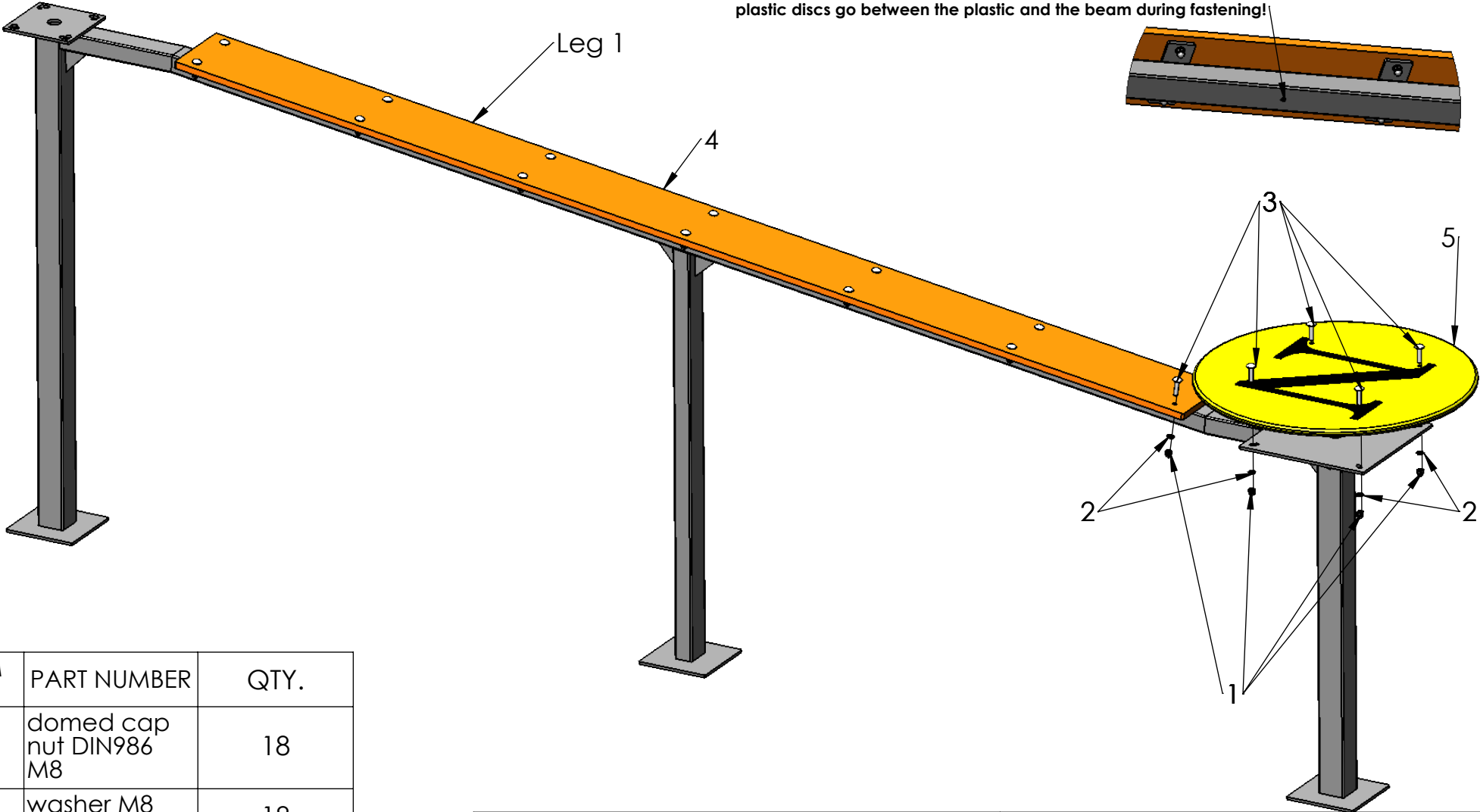
A4

WEIGHT:

SCALE: 1:50

SHEET 6 OF 15

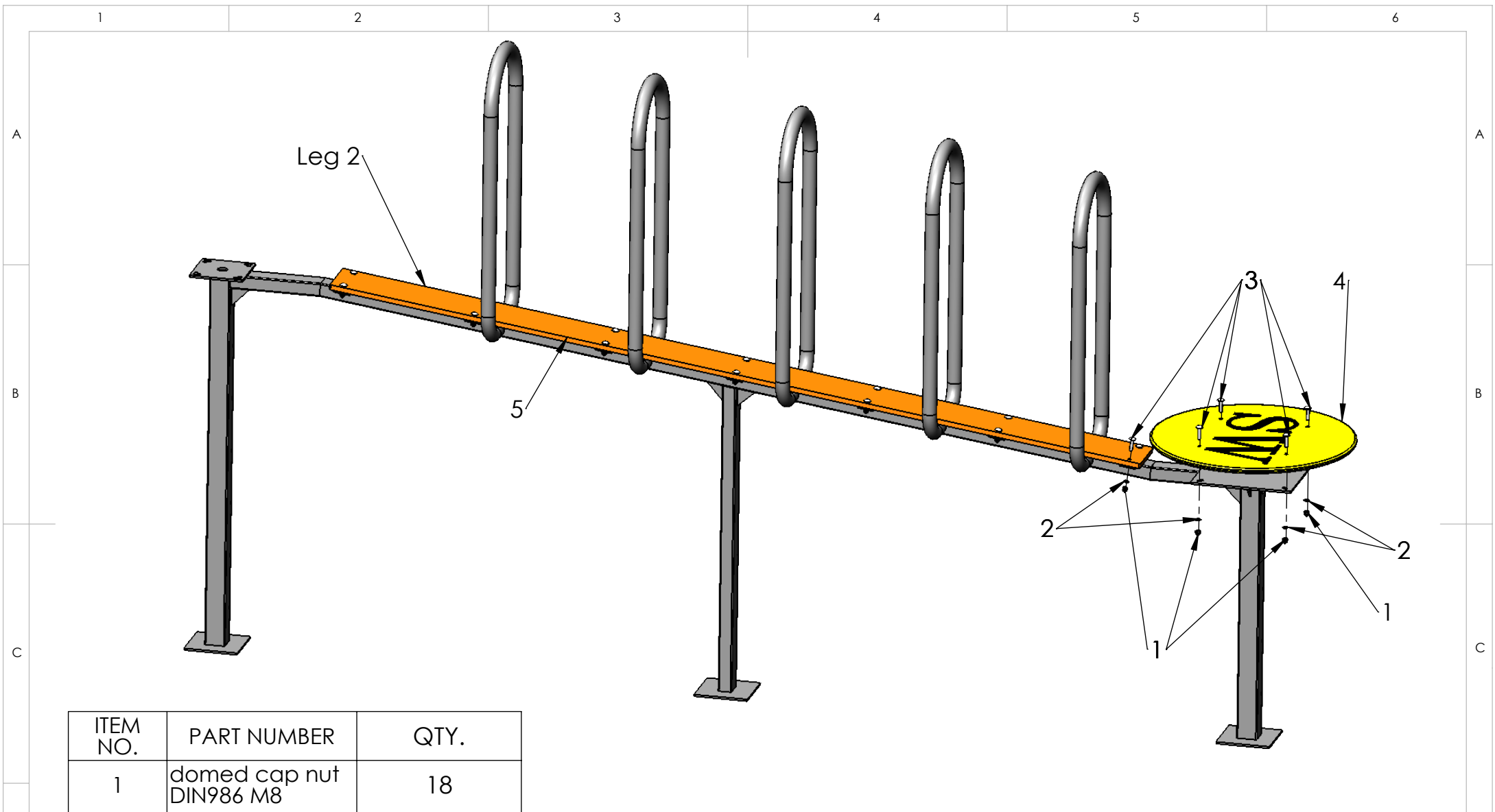
On long plastics, holes must be drilled through a metal pipe (with an 8mm drill bit). Attached with 8x70 bolt+washer+cap lock nut. Special plastic discs go between the plastic and the beam during fastening!



ITEM NO.	PART NUMBER	QTY.
1	domed cap nut DIN986 M8	18
2	washer M8 DIN125	18
3	bolt DIN603 M8x35	18
4	TKR001 179x244.5	1

UNLESS OTHERWISE SPECIFIED: DIMENSIONS ARE IN MILLIMETERS WEIGHT ARE IN KILOGRAMM			
	NAME	SIGNATURE	DATE
DRAWN	I.Agar		02.08.2024

Product code:	TKR001		
DESCRIPTION:	Balancing equipment Compass		
WEIGHT:	SCALE: 1:12	SHEET 7 OF 15	
			A4



ITEM NO.	PART NUMBER	QTY.
1	domed cap nut DIN986 M8	18
2	washer M8 DIN125	18
3	bolt DIN603 M8x35	18
4	TKR001 circle SW	1

UNLESS OTHERWISE SPECIFIED: DIMENSIONS ARE IN MILLIMETERS WEIGHT ARE IN KILOGRAMM			
	NAME	SIGNATURE	DATE
DRAWN	I.Agar		02.08.2024

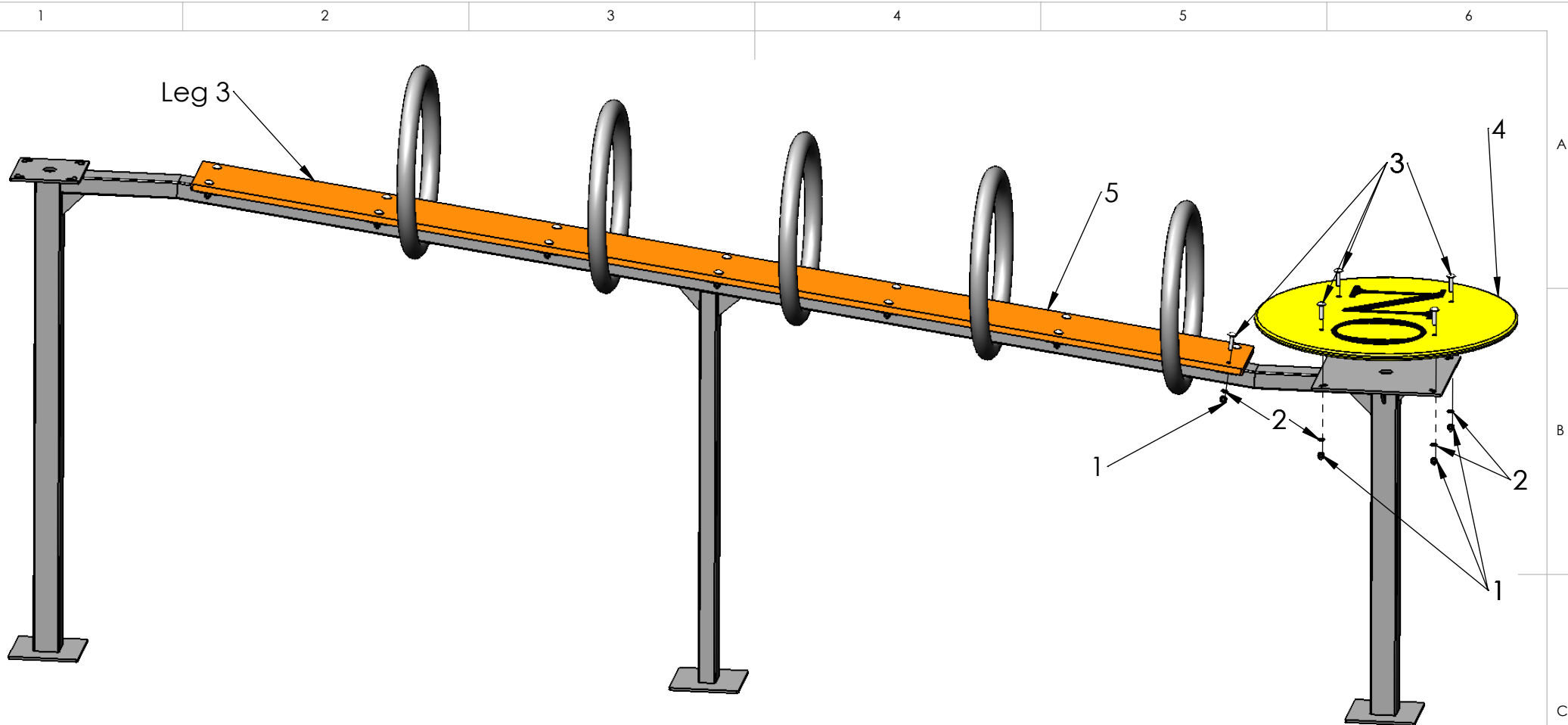
Product code:	TKR001
---------------	--------

DESCRIPTION:	Balancing equipment Compass
--------------	-----------------------------

READYMADE
Verklighet för drömmar

stap^{ÖÜ}

WEIGHT:	SCALE: 1:15	A4
		SHEET 8 OF 15



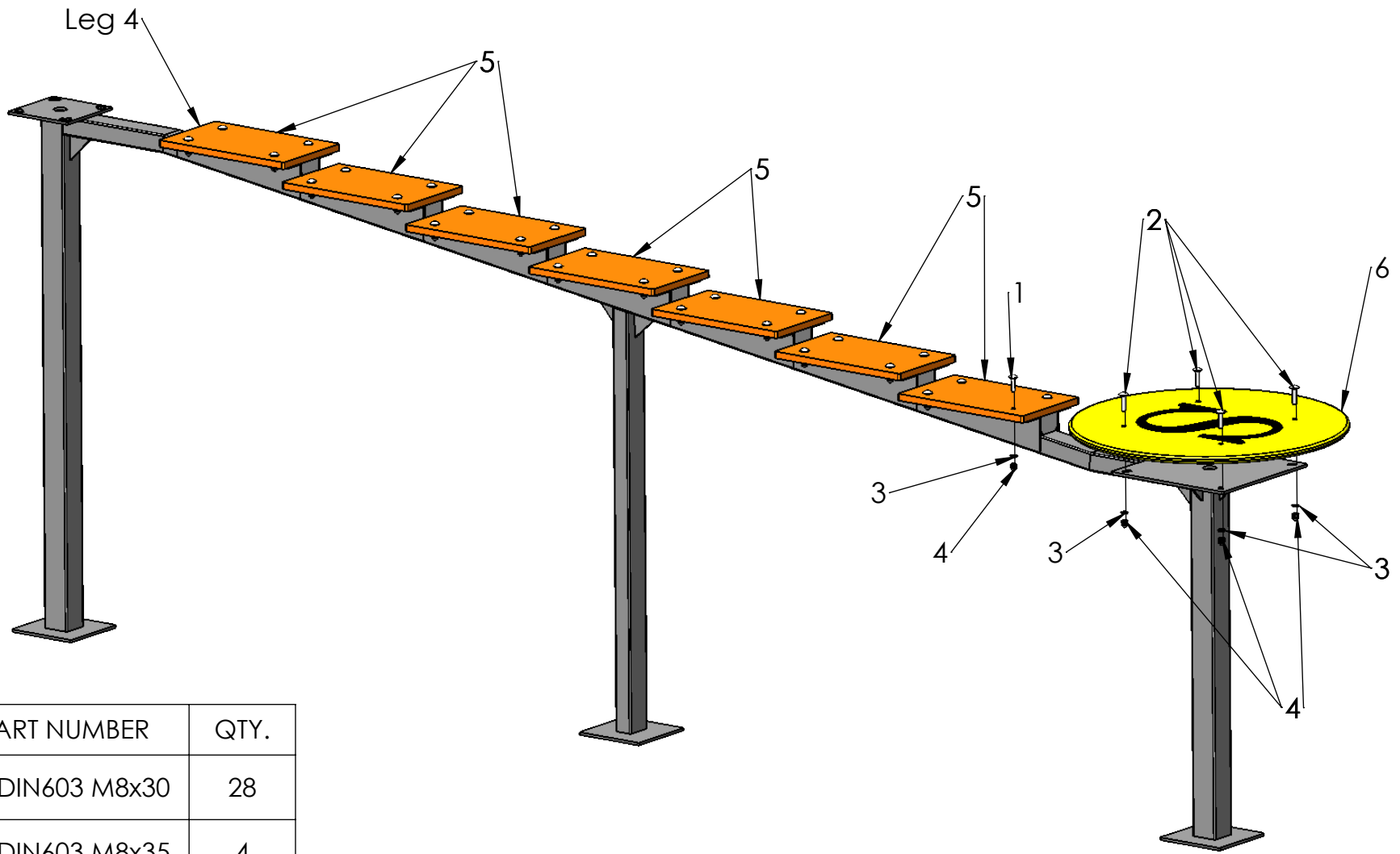
ITEM NO.	PART NUMBER	QTY.
1	domed cap nut DIN986 M8	18
2	washer M8 DIN125	18
3	bolt DIN603 M8x35	18
4	TKR001 circle NO	1

READYMADE
Verklighet för drömmar

UNLESS OTHERWISE SPECIFIED: DIMENSIONS ARE IN MILLIMETERS WEIGHT ARE IN KILOGRAMM			
	NAME	SIGNATURE	DATE
DRAWN	I.Agar		02.08.2024

Product code:	TKR001		
DESCRIPTION:	Balancing equipment Compass		
			A4
WEIGHT:		SCALE: 1:13	SHEET 9 OF 15

stap^Ö



ITEM NO.	PART NUMBER	QTY.
1	bolt DIN603 M8x30	28
2	bolt DIN603 M8x35	4
3	washer M8 DIN125	32
4	domed cap nut DIN986 M8	32

UNLESS OTHERWISE SPECIFIED:
 DIMENSIONS ARE IN MILLIMETERS
 WEIGHT ARE IN KILOGRAMM

	NAME	SIGNATURE	DATE
DRAWN	I.Agar		02.08.2024

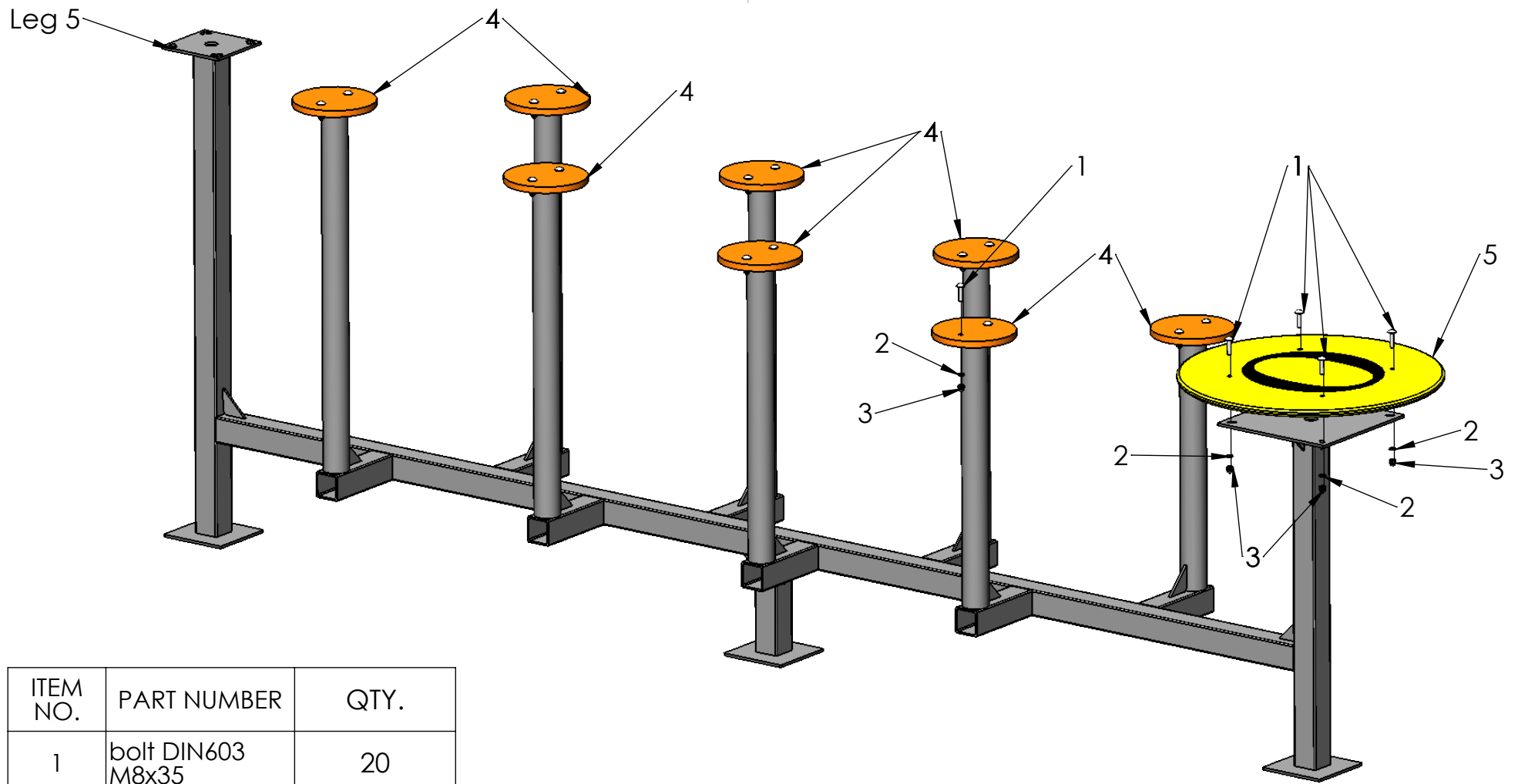
Product code: **TKR001**

DESCRIPTION: **Balancing equipment Compass**



WEIGHT:	SCALE: 1:13	SHEET 10 OF 15
---------	-------------	----------------

A4



ITEM NO.	PART NUMBER	QTY.
1	bolt DIN603 M8x35	20
2	washer M8 DIN125	20
3	domed cap nut DIN986 M8	20
4	TKR001 190mm	5

UNLESS OTHERWISE SPECIFIED: DIMENSIONS ARE IN MILLIMETERS WEIGHT ARE IN KILOGRAMM			
	NAME	SIGNATURE	DATE
DRAWN	I.Agar		02.08.2024

Product code:	TKR001		
DESCRIPTION:	Balancing equipment Compass		
			A4
WEIGHT:		SCALE: 1:13	SHEET 11 OF 15

READYMADE
Verklighet för drömmar

stap^{OO}

A

A

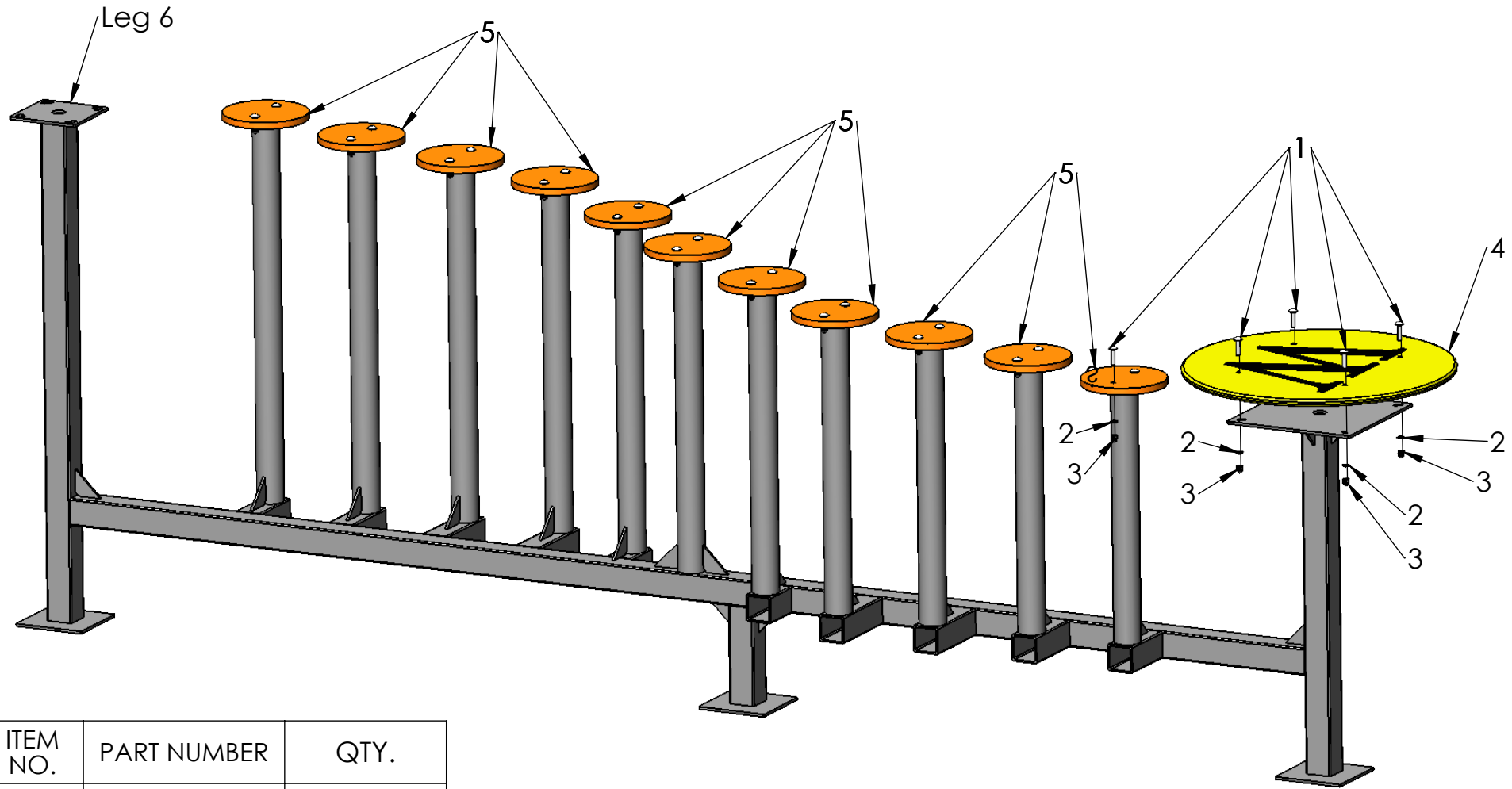
B

B

C

C

D



ITEM NO.	PART NUMBER	QTY.
1	bolt DIN603 M8x35	26
2	washer M8 DIN125	26
3	domed cap nut DIN986 M8	26

UNLESS OTHERWISE SPECIFIED: DIMENSIONS ARE IN MILLIMETERS WEIGHT ARE IN KILOGRAMM			
	NAME	SIGNATURE	DATE
DRAWN	I.Agar		02.08.2024

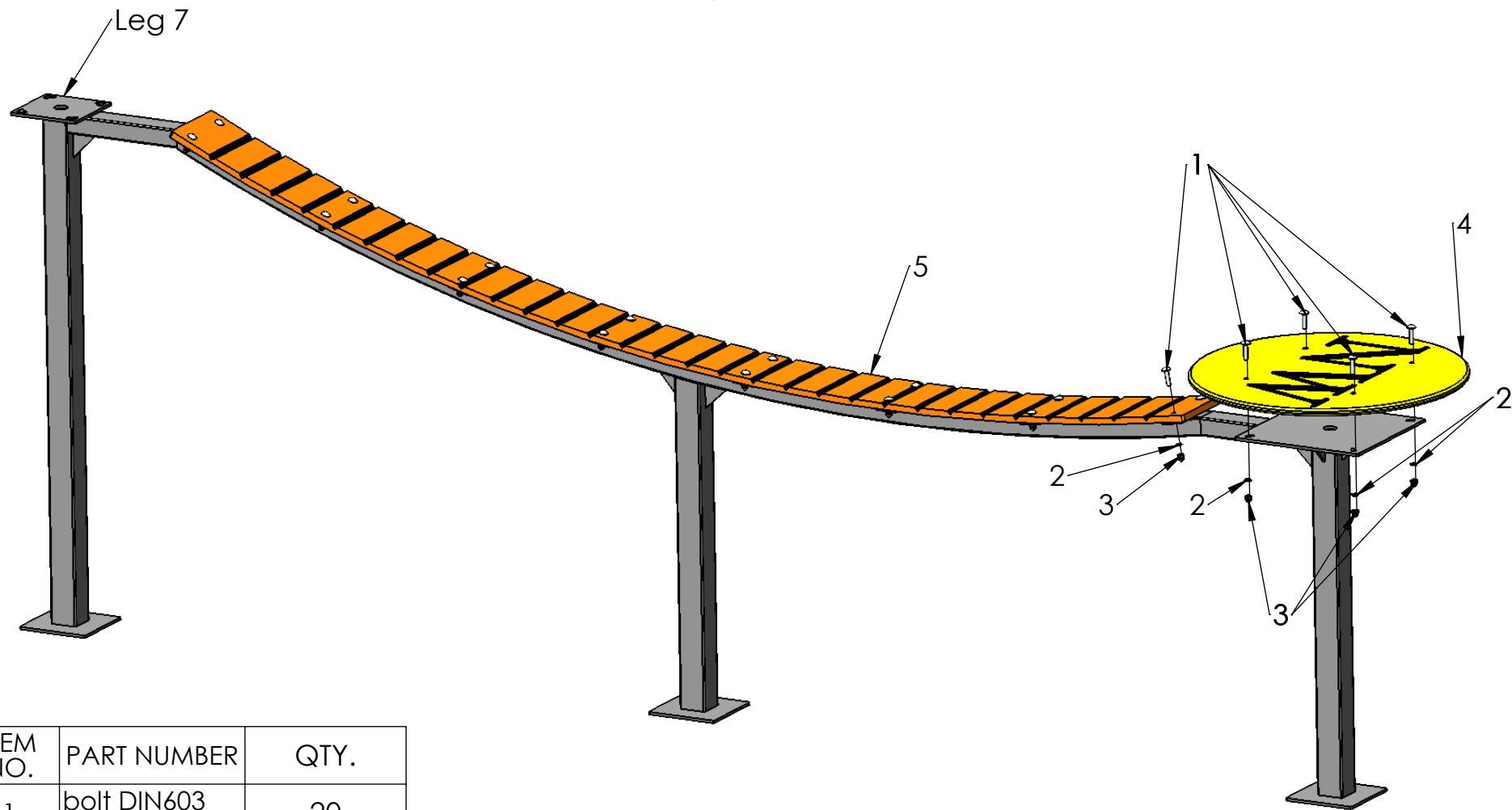
Product code: **TKR001**

DESCRIPTION: **Balancing equipment Compass**

READYMADE
Verklighet för drömmar

stap^{ÖÜ}

WEIGHT:	SCALE: 1:13	A4
		SHEET 12 OF 15



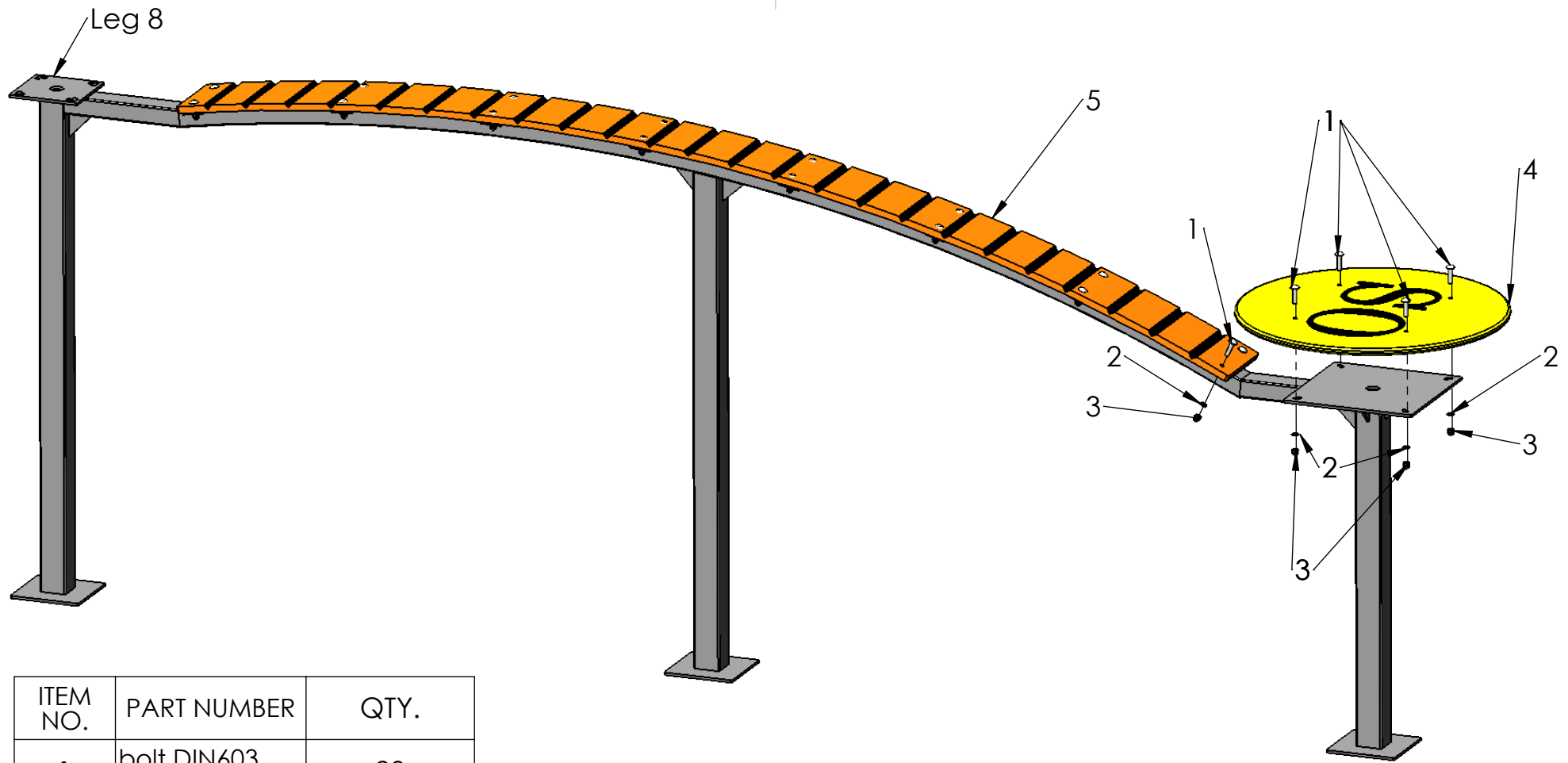
ITEM NO.	PART NUMBER	QTY.
1	bolt DIN603 M8x35	20
2	washer M8 DIN125	20
3	domed cap nut DIN986 M8	20
4	TKR001 circle NW	1

UNLESS OTHERWISE SPECIFIED: DIMENSIONS ARE IN MILLIMETERS WEIGHT ARE IN KILOGRAMM			
	NAME	SIGNATURE	DATE
DRAWN	I.Agar		02.08.2024

Product code:		TKR001
DESCRIPTION: Balancing equipment Compass		
WEIGHT:		A4
SCALE: 1:13		SHEET 13 OF 15

READYMADE
Verklighet för drömmar

stap^{oü}



ITEM NO.	PART NUMBER	QTY.
1	bolt DIN603 M8x35	20
2	washer M8 DIN125	20
3	domed cap nut DIN986 M8	20
4	TKR001 circle SO	1

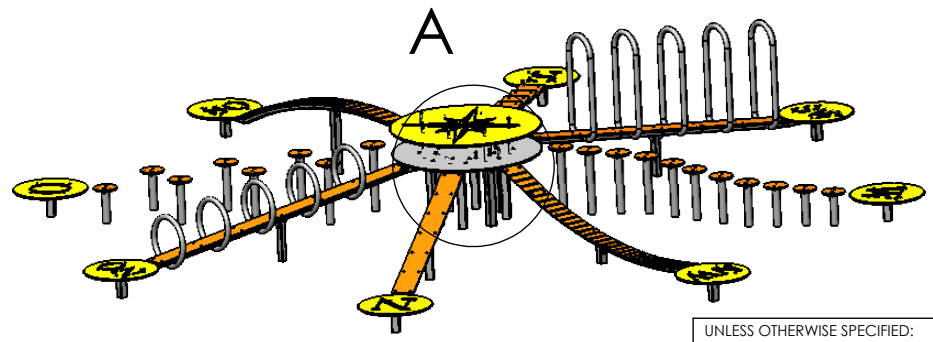
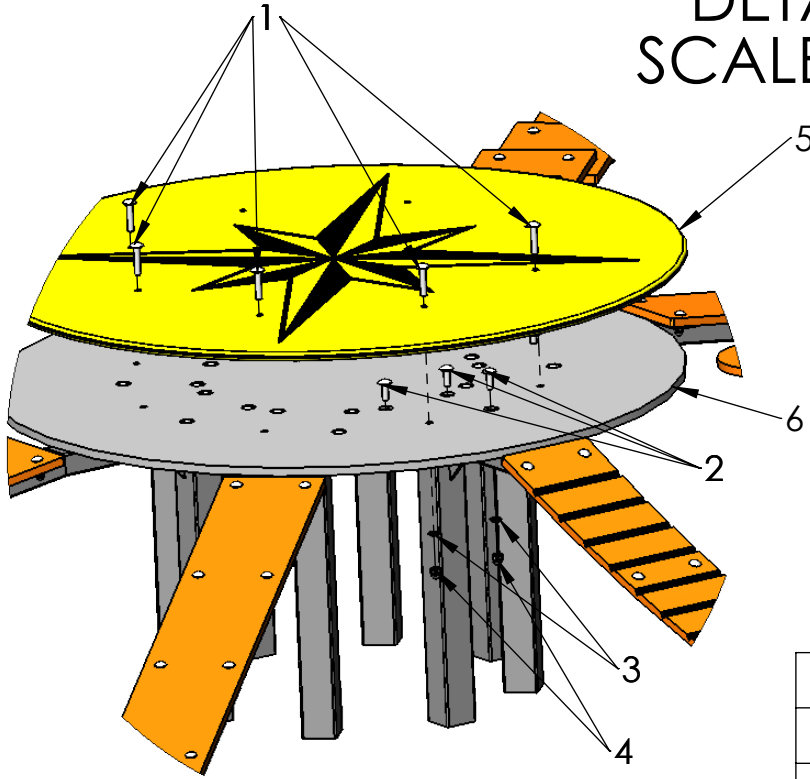
UNLESS OTHERWISE SPECIFIED: DIMENSIONS ARE IN MILLIMETERS WEIGHT ARE IN KILOGRAMM			
	NAME	SIGNATURE	DATE
DRAWN	I.Agar		02.08.2024

Product code:	TKR001		
DESCRIPTION:	Balancing equipment Compass		
			A4
WEIGHT:		SCALE: 1:13	SHEET 14 OF 15

READYMADE
Verklighet för drömmar

stap^{ÖÜ}

DETAIL A SCALE 1 : 13



ITEM NO.	PART NUMBER	QTY.
1	bolt DIN603 M10x50	8
2	bolt DIN603 M10x30	24
3	washer M10 DIN125	32
4	domed cap nut DIN986 M10	32
5	TKR001 upper centre circle	1
6	TKR001 lower centre circle	1

UNLESS OTHERWISE SPECIFIED:
DIMENSIONS ARE IN MILLIMETERS
WEIGHT ARE IN KILOGRAMM

	NAME	SIGNATURE	DATE
DRAWN	I.Agar		02.08.2024

Product code:	TKR001	
DESCRIPTION:	Balancing equipment Compass	
WEIGHT:	SCALE: 1:60	SHEET 15 OF 15