

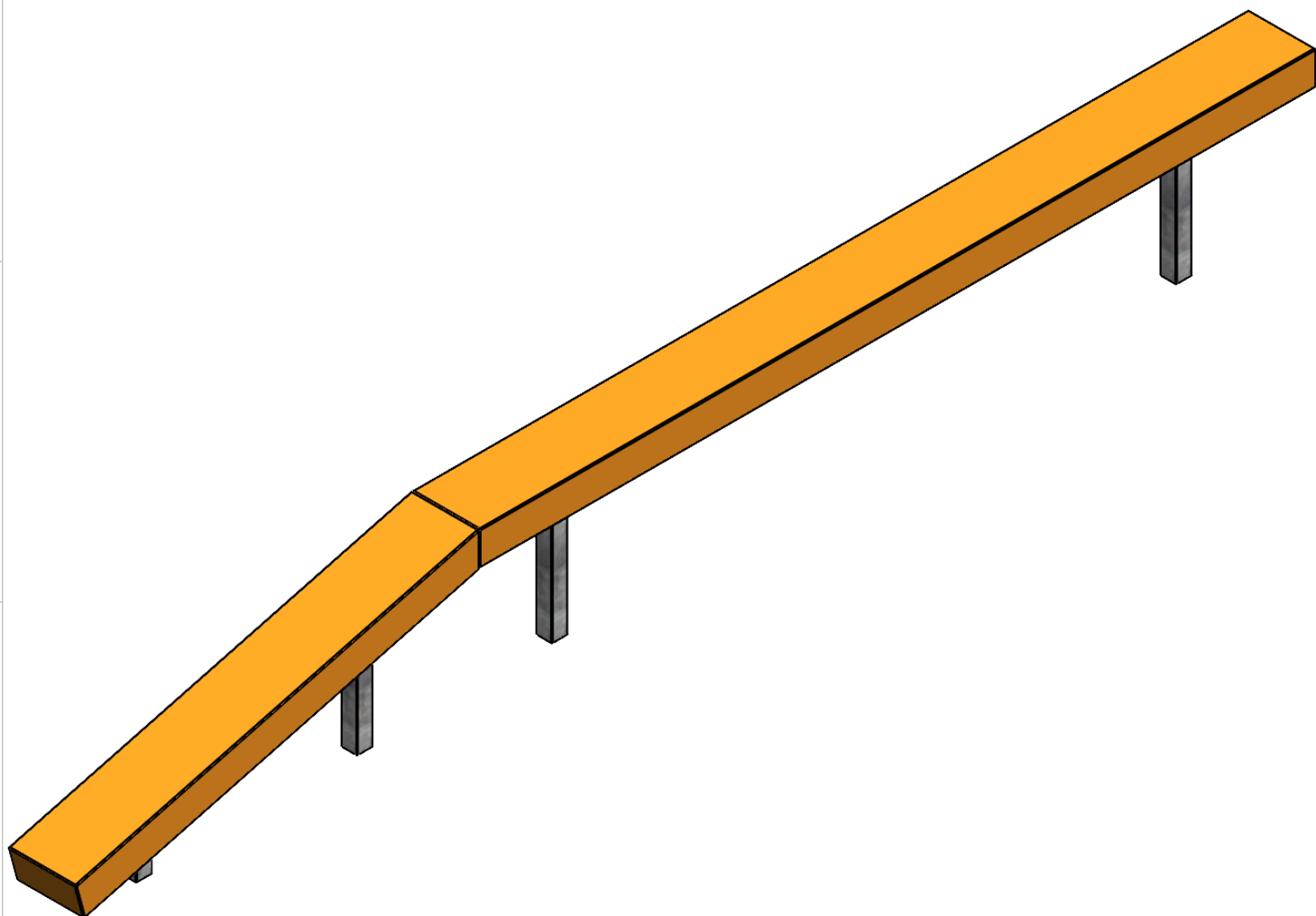
A

B

C

D

E



UNLESS OTHERWISE SPECIFIED:
 DIMENSIONS ARE IN MILLIMETERS
 WEIGHT ARE IN KILOGRAMM

Product code:

PLP12W

NAME

SIGNATURE

DATE

DRAWN

I.Agar

06.06.2023

DESCRIPTION:

Beam with slope (wide)



Verklighet för drömmar

A4

WEIGHT:

SCALE: 1:15

SHEET 1 OF 5

Safety area

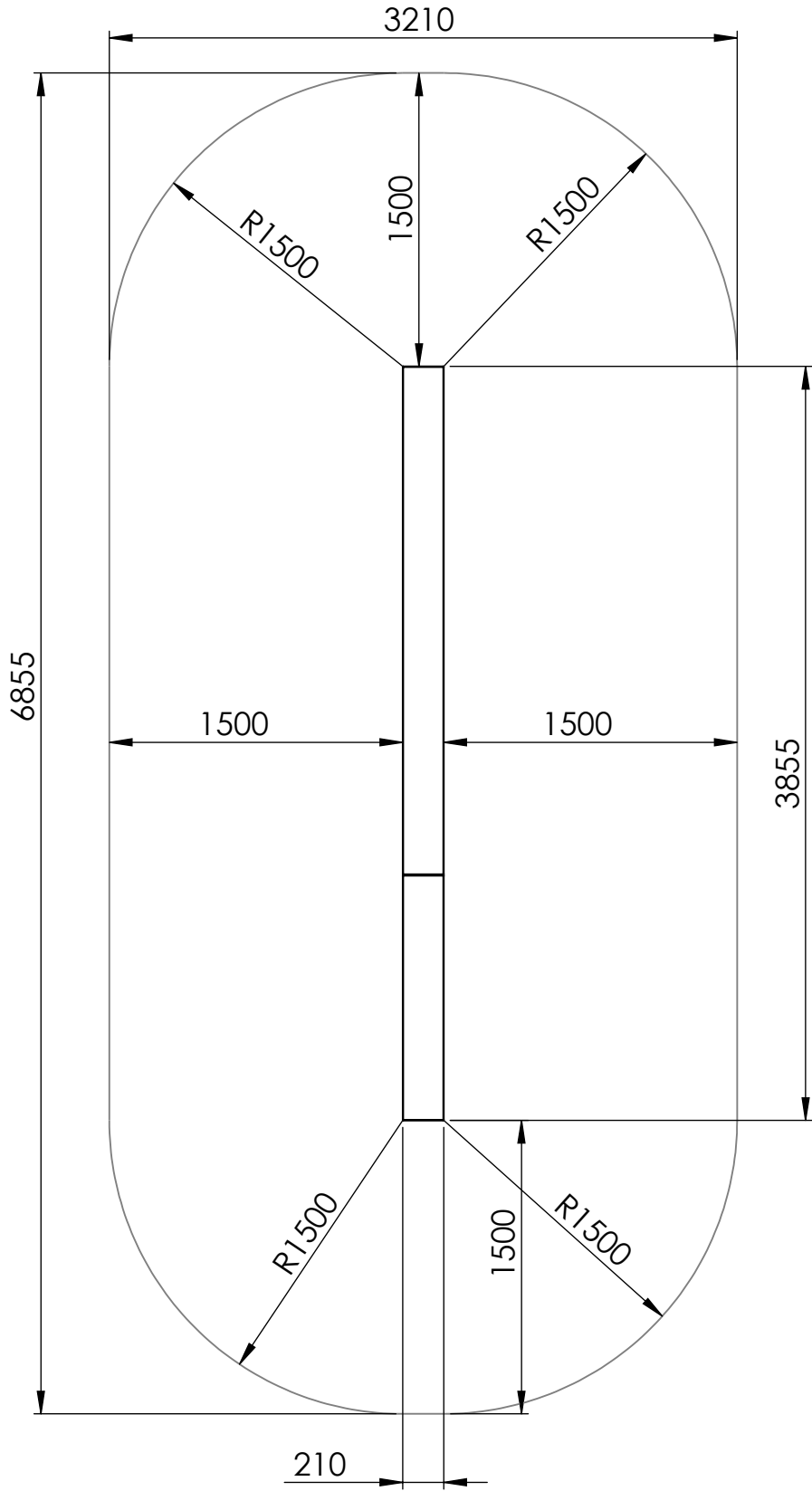
A

B

C

D

E



UNLESS OTHERWISE SPECIFIED:
 DIMENSIONS ARE IN MILLIMETERS
 WEIGHT ARE IN KILOGRAMM

Product code:

PLP12W

NAME

SIGNATURE

DATE

DRAWN

I.Agar

06.06.2023

DESCRIPTION:

Beam with slope (wide)



Verklighet för drömmar

A4

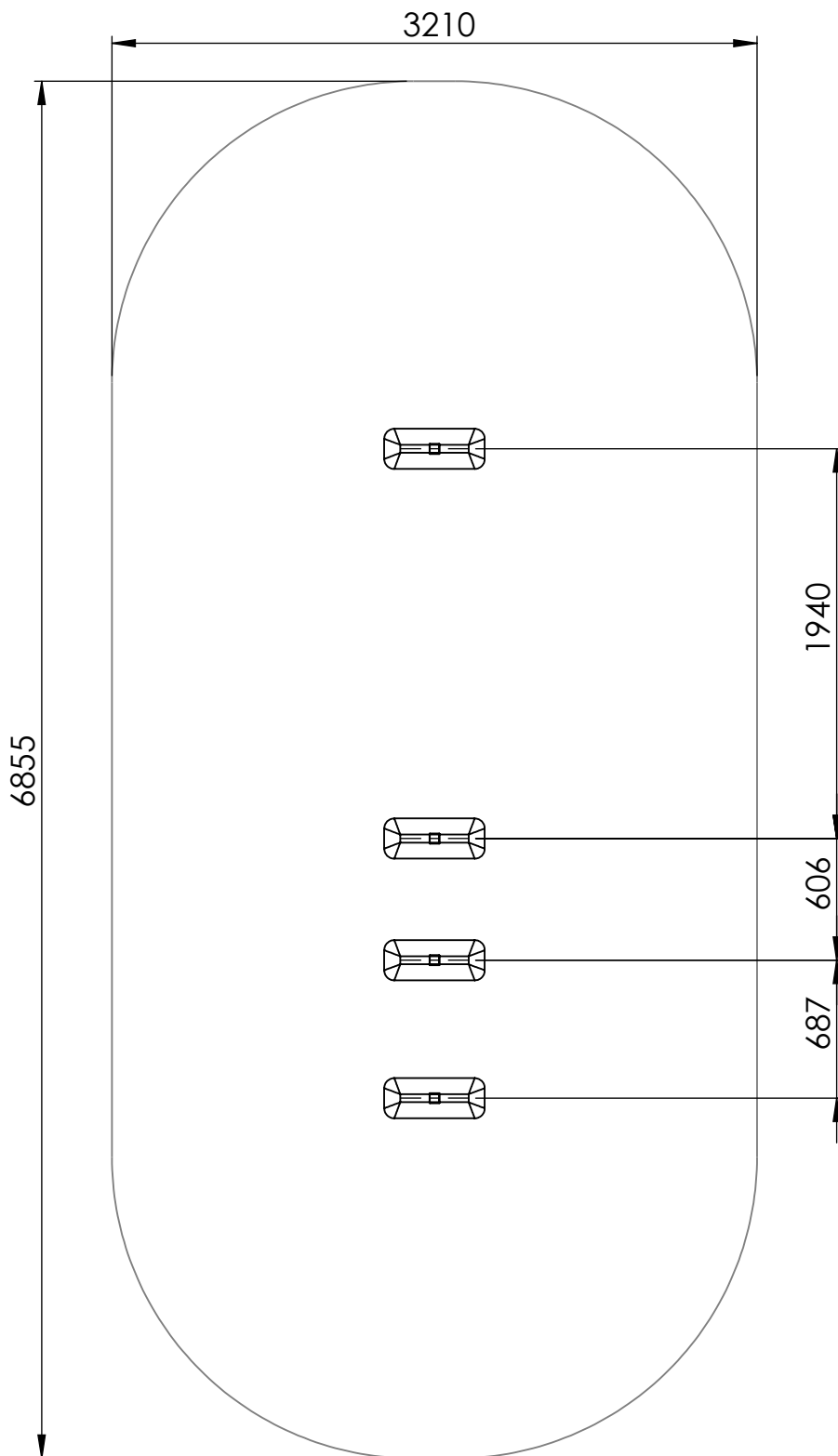
WEIGHT:

SCALE: 1:35

SHEET 2 OF 5

Foundation

A
B
C
D
E



Depth of foundation: 500mm

UNLESS OTHERWISE SPECIFIED:
DIMENSIONS ARE IN MILLIMETERS
WEIGHT ARE IN KILOGRAMM

Product code:

PLP12W

NAME

SIGNATURE

DATE

DRAWN

I.Agar

06.06.2023

DESCRIPTION:

Beam with slope (wide)



Verklighet för drömmar

A4

WEIGHT:

SCALE: 1:35

SHEET 3 OF 5

1 2 3 4 5 6

A

A

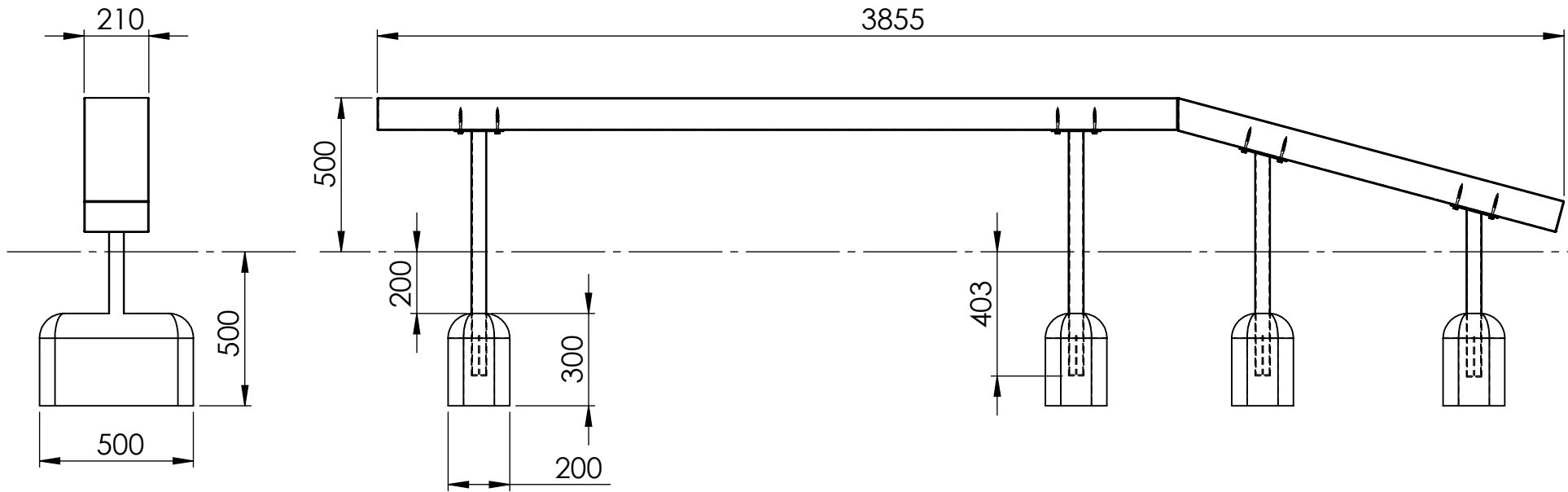
B

B

C

C

D



UNLESS OTHERWISE SPECIFIED:
DIMENSIONS ARE IN MILLIMETERS
WEIGHT ARE IN KILOGRAMM

	NAME	SIGNATURE	DATE
DRAWN	I.Agar		06.06.2023

Product code: **PLP12W**

DESCRIPTION: **Beam with slope (wide)**



WEIGHT:	SCALE: 1:20	A4
		SHEET 4 OF 5

1 2 3 4 5 6

A

B

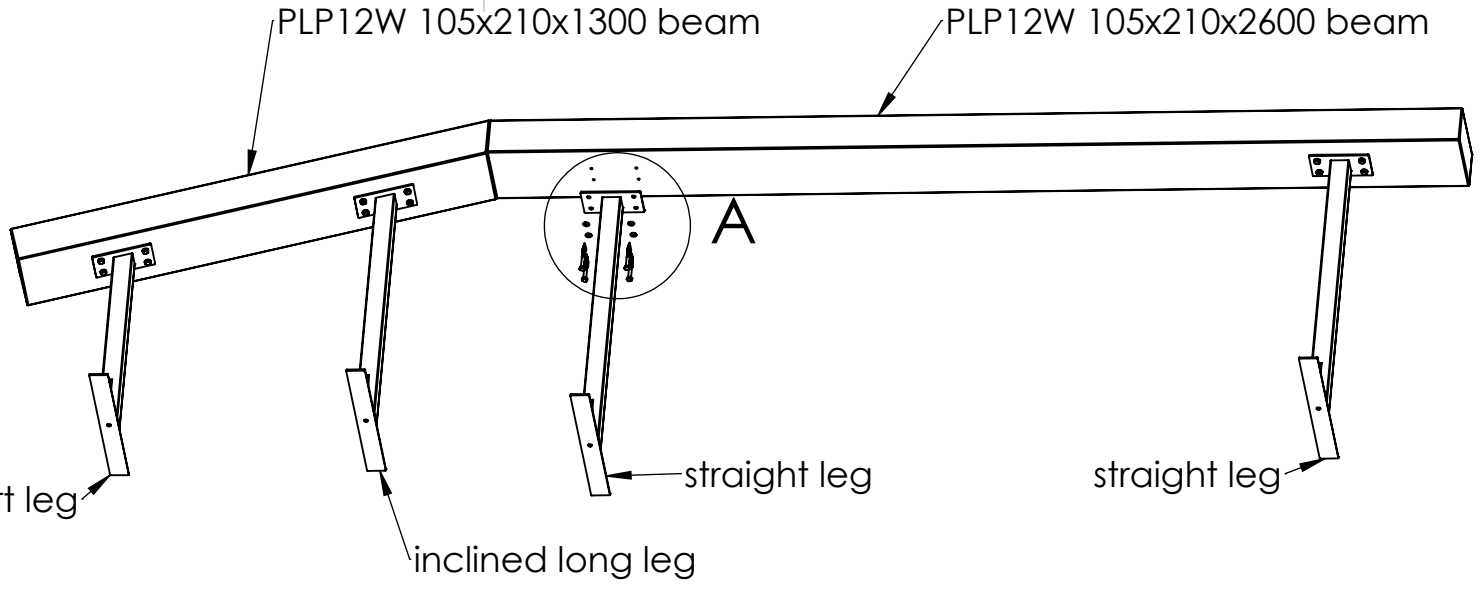
C

D

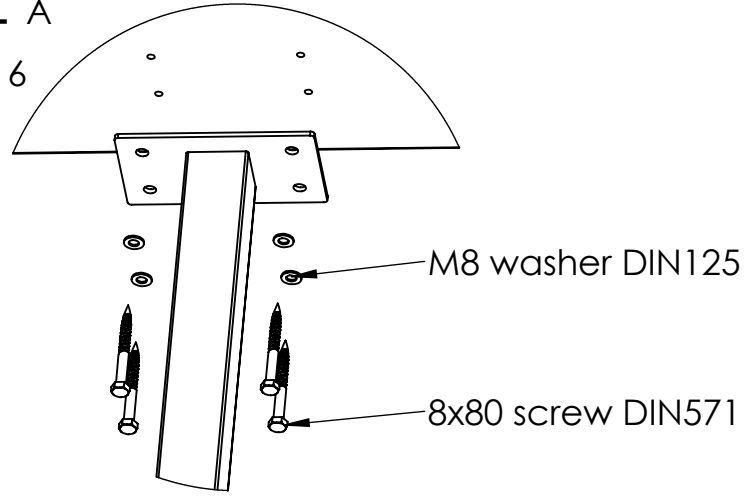
A

B

C



DETAIL A
SCALE 1 : 6



UNLESS OTHERWISE SPECIFIED:
DIMENSIONS ARE IN MILLIMETERS
WEIGHT ARE IN KILOGRAMM

	NAME	SIGNATURE	DATE
DRAWN	I.Agar		06.06.2023

Product code: **PLP12W**

DESCRIPTION: **Beam with slope (wide)**

WEIGHT:	SCALE: 1:20	A4
		SHEET 5 OF 5

