

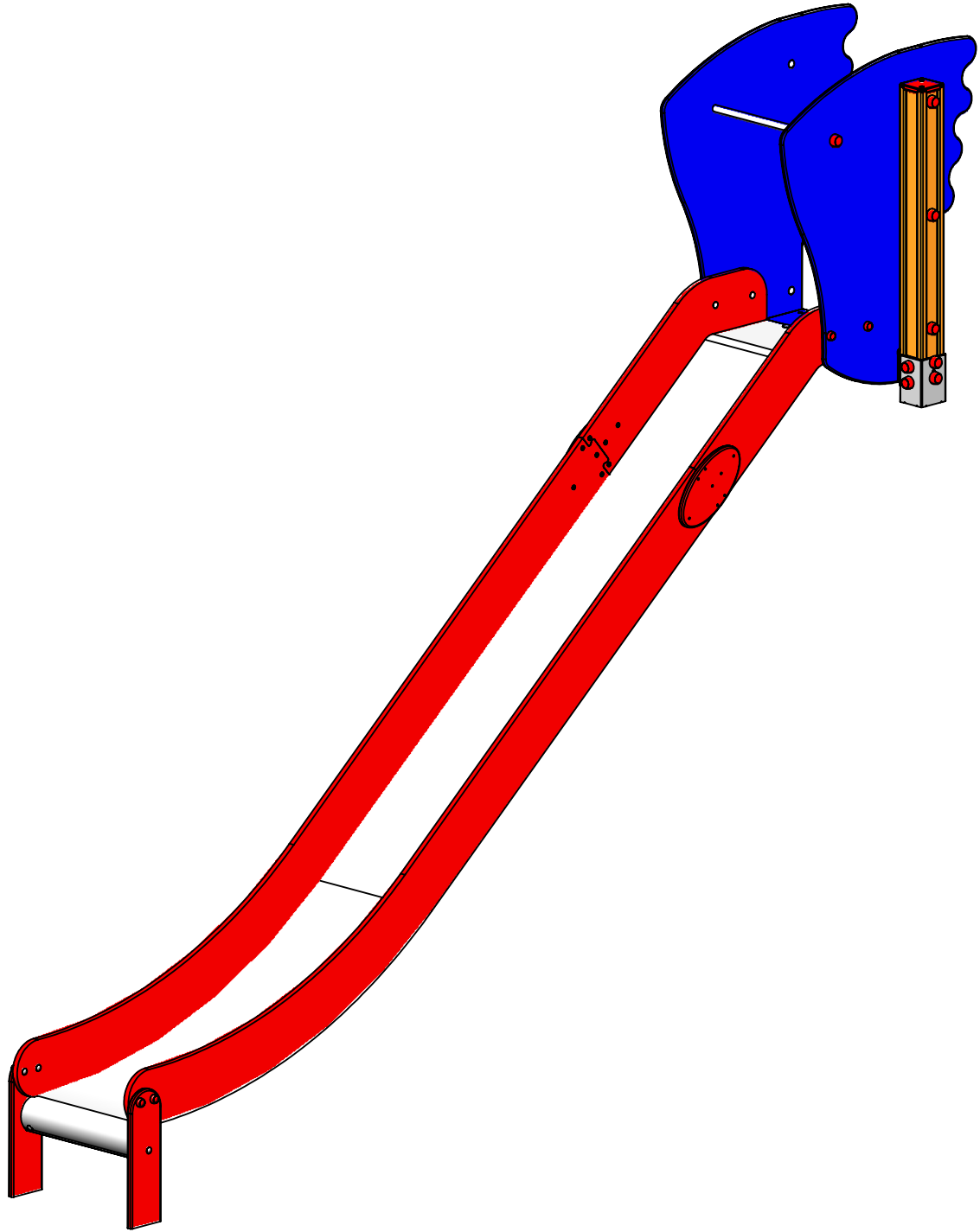
A

B

C

D

E



UNLESS OTHERWISE SPECIFIED:
 DIMENSIONS ARE IN MILLIMETERS
 WEIGHT ARE IN KILOGRAMM

	NAME	SIGNATURE	DATE	REVISION
DRAWN	I.Agar		07.03.2022	
APPV'D				

PART NUMBER / DWG NO.: LM012-1

DESCRIPTION: Slide Bud



MATERIAL:	wood, metal, plastic	A4
WEIGHT:	SCALE: 1:20	SHEET 1 OF 13

Safety area

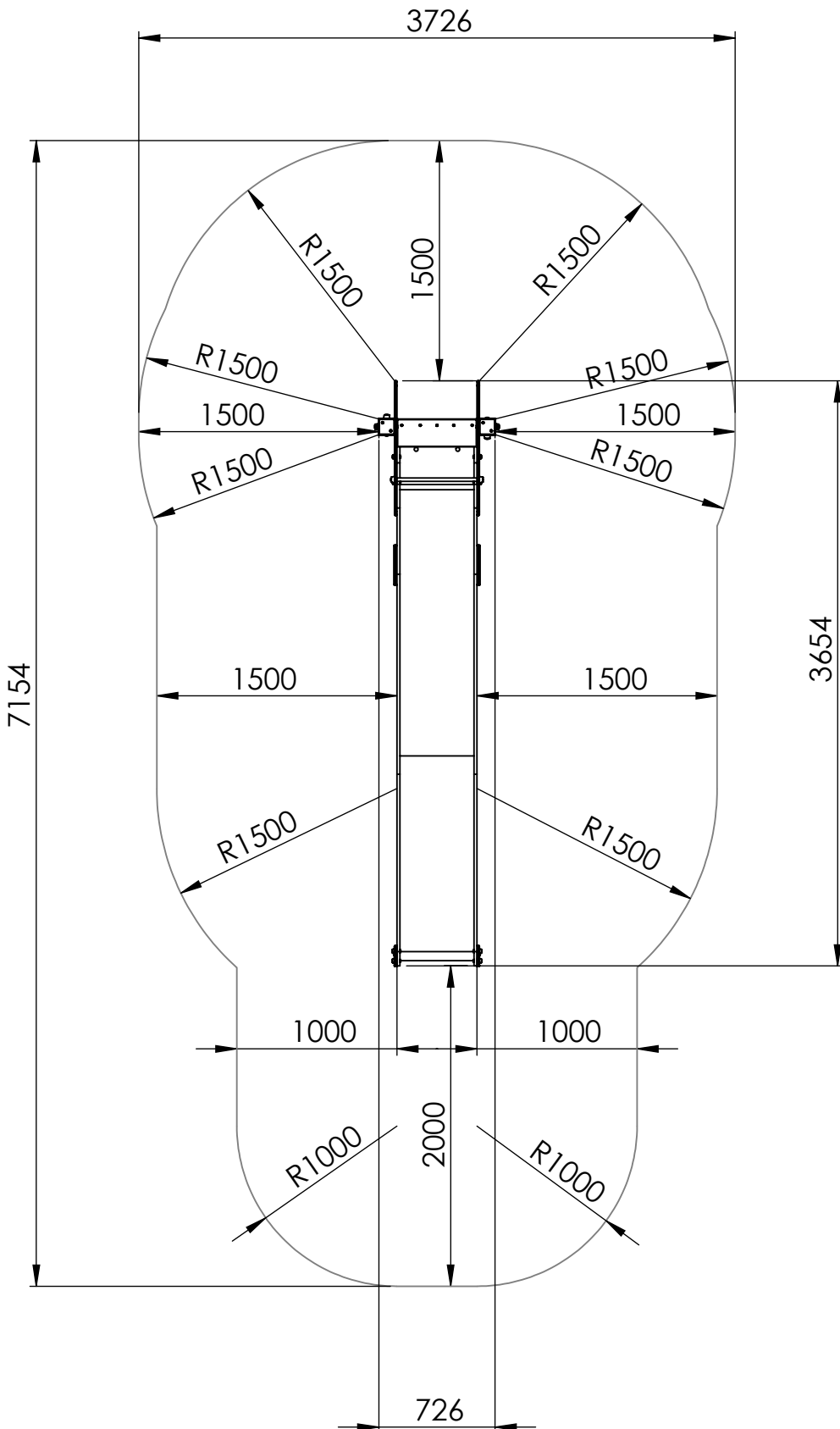
A

B

C

D

E



UNLESS OTHERWISE SPECIFIED:
 DIMENSIONS ARE IN MILLIMETERS
 WEIGHT ARE IN KILOGRAMM

PART NUMBER / DWG NO.:

LM012-1

	NAME	SIGNATURE	DATE	REVISION
DRAWN	I.Agar		07.03.2022	
APPV'D				

DESCRIPTION:

Slide Bud

READYMADE
Verklighet för drömmar

MATERIAL:

wood, metal, plastic

A4

WEIGHT:

SCALE: 1:40

SHEET 2 OF 13

Foundation

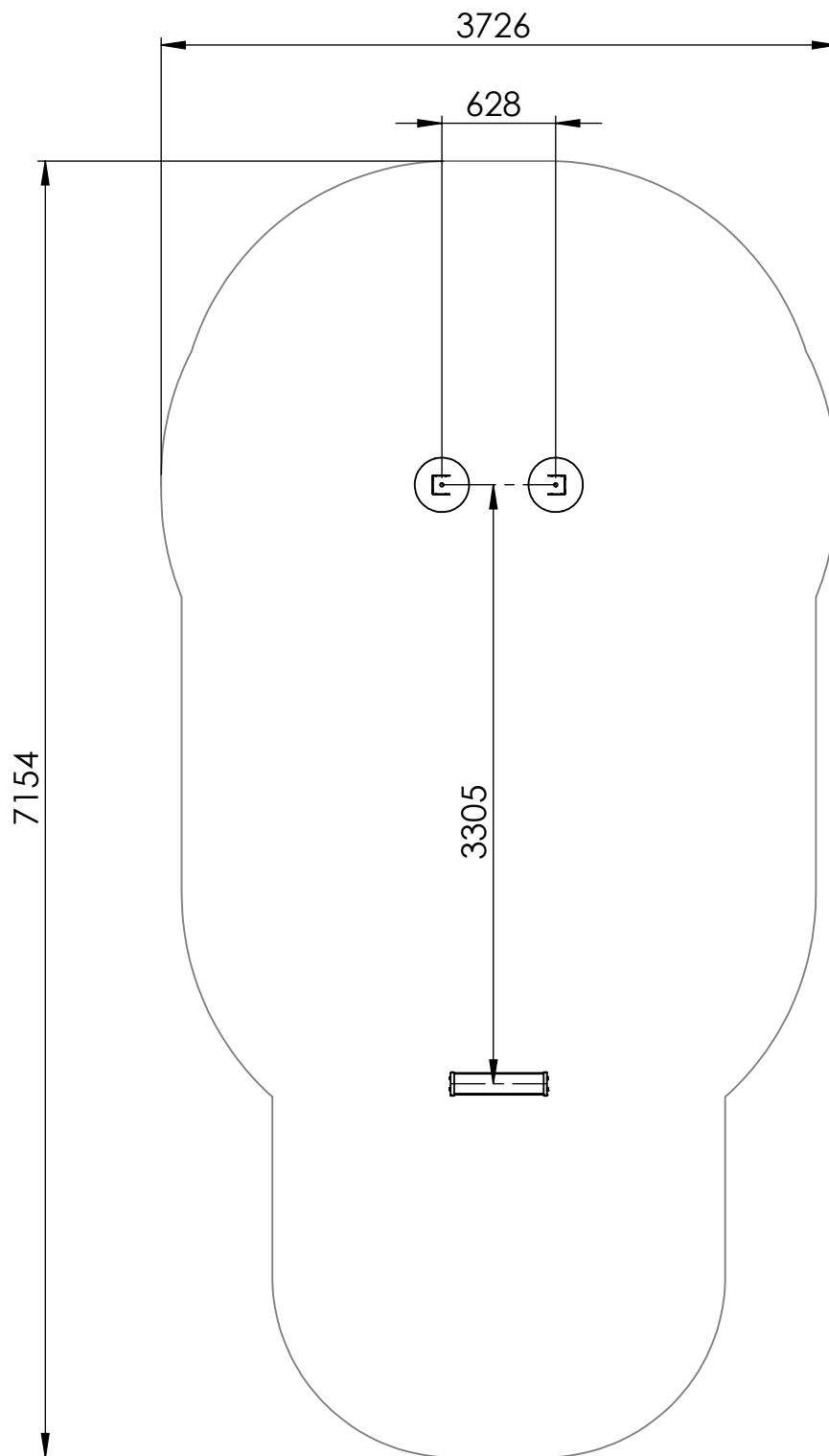
A

B

C

D

E



Depth of foundation: 600mm

UNLESS OTHERWISE SPECIFIED:
DIMENSIONS ARE IN MILLIMETERS
WEIGHT ARE IN KILOGRAMM

PART NUMBER / DWG NO.:

LM012-1

	NAME	SIGNATURE	DATE	REVISION
DRAWN	I.Agar		07.03.2022	
APPV'D				

DESCRIPTION:

Slide Bud

READYMADE
Verklighet för drömmar

MATERIAL:

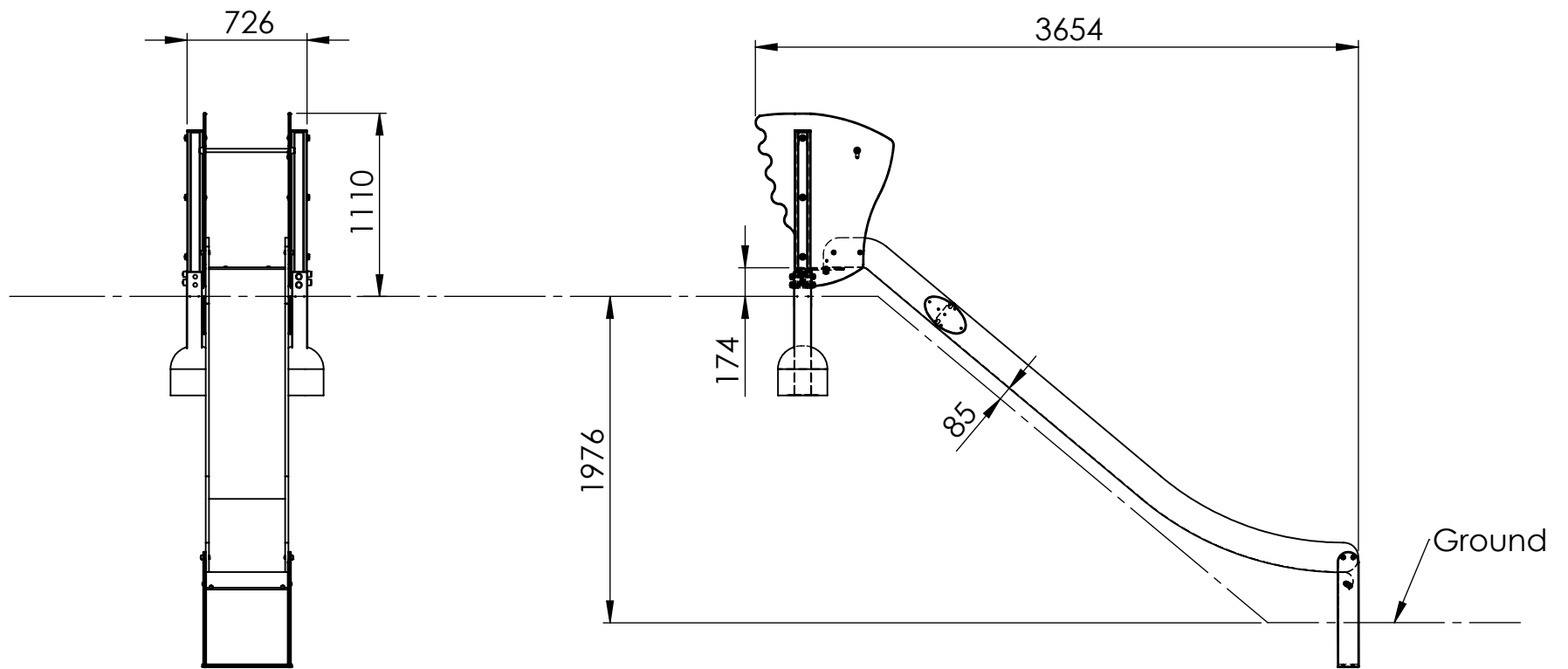
wood, metal, plastic

A4

WEIGHT:

SCALE: 1:40

SHEET 3 OF 13

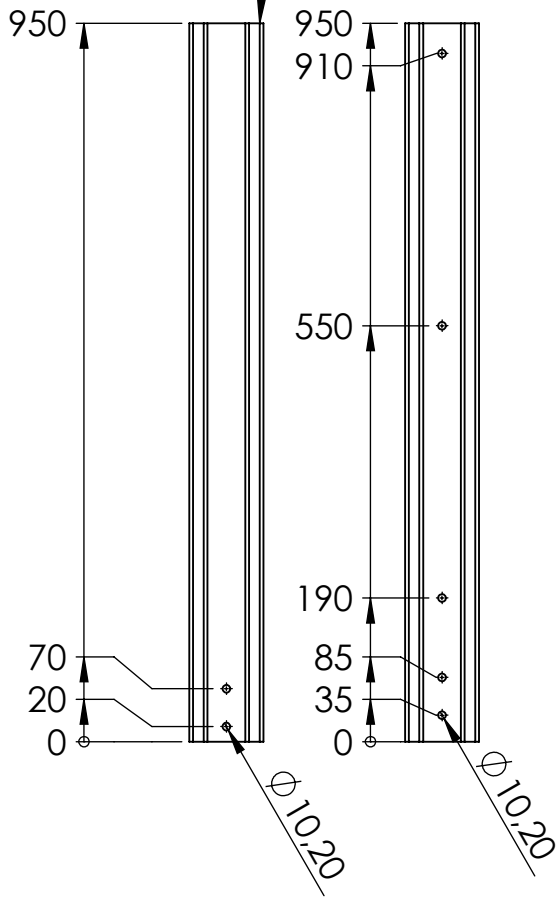


UNLESS OTHERWISE SPECIFIED: DIMENSIONS ARE IN MILLIMETERS WEIGHT ARE IN KILOGRAMM				
	NAME	SIGNATURE	DATE	REVISION
DRAWN	I.Agar		07.03.2022	
APPV'D				

PART NUMBER / DWG NO.:		LM012-1	
DESCRIPTION:		Slide Bud	
MATERIAL:	wood, metal, plastic	A4	
WEIGHT:		SCALE: 1:40	SHEET 4 OF 13

2x LM012-1 98x98x950 Post

A

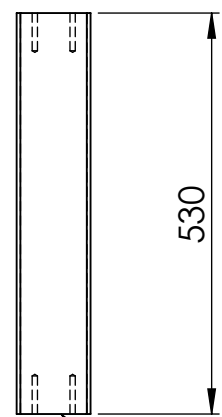
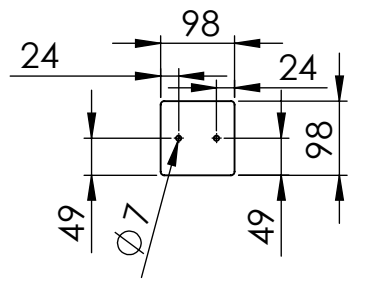


B

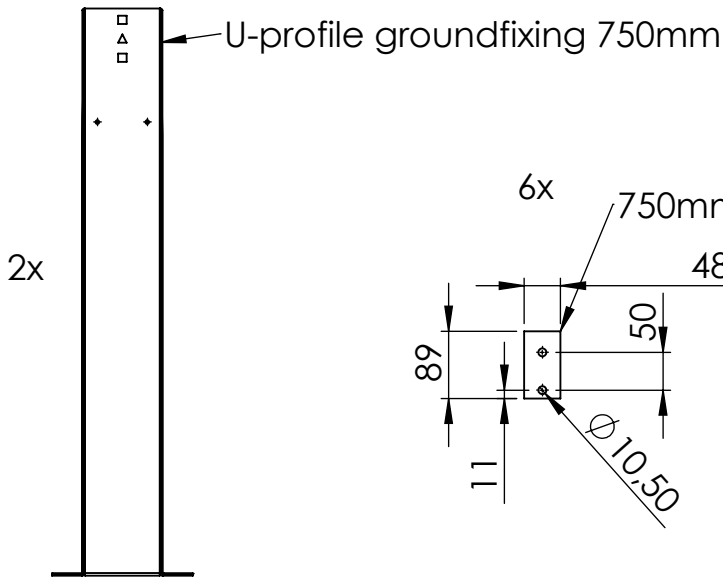
C

D

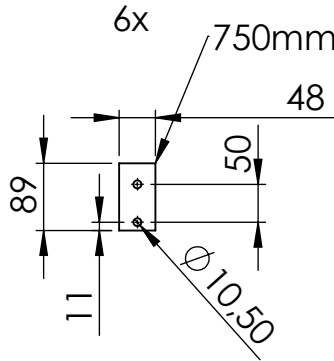
E



LM012-1 98x98x530 beam



6x 750mm U-groundfixing cap filling



UNLESS OTHERWISE SPECIFIED:
DIMENSIONS ARE IN MILLIMETERS
WEIGHT ARE IN KILOGRAMM

PART NUMBER / DWG NO.: LM012-1

	NAME	SIGNATURE	DATE	REVISION
DRAWN	I.Agar		07.03.2022	
APPV'D				

DESCRIPTION: Slide Bud



MATERIAL:	wood, metal, plastic	A4
WEIGHT:	SCALE: 1:10	SHEET 5 OF 13

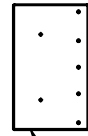
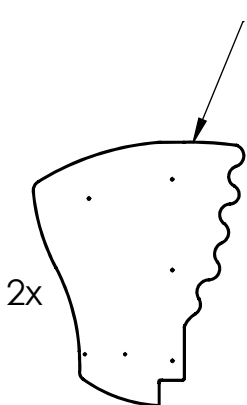
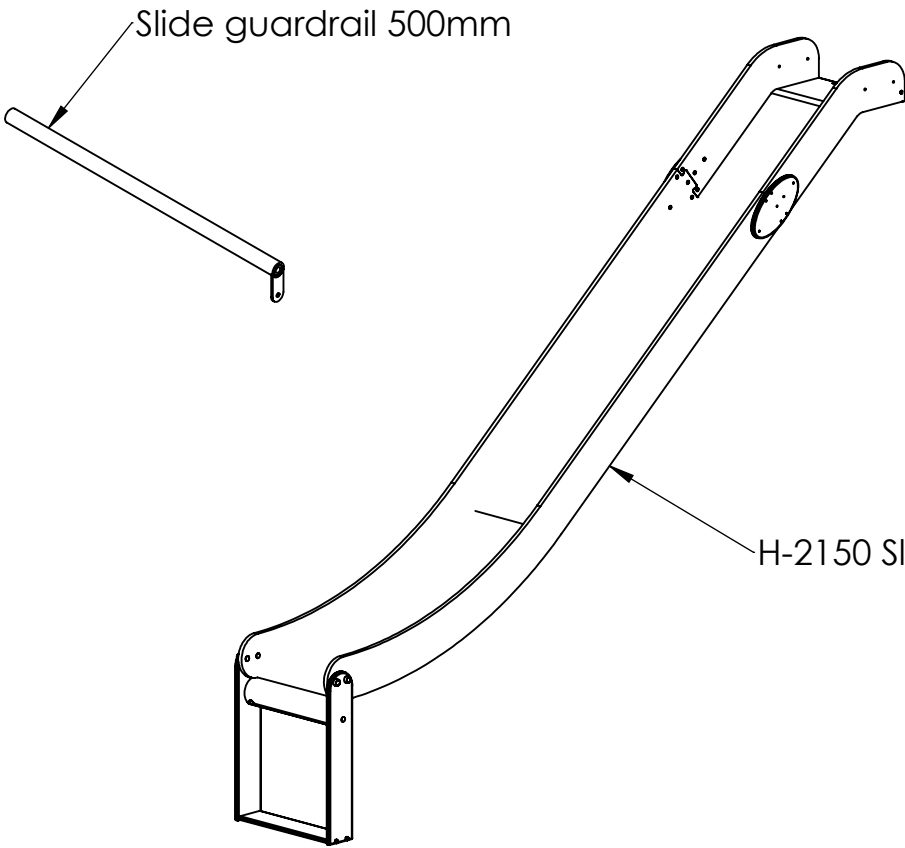
A

B

C

D

E



UNLESS OTHERWISE SPECIFIED: DIMENSIONS ARE IN MILLIMETERS WEIGHT ARE IN KILOGRAMM				
	NAME	SIGNATURE	DATE	REVISION
DRAWN	I.Agar		07.03.2022	
APPV'D				

PART NUMBER / DWG NO.:	LM012-1
DESCRIPTION:	Slide Bud



MATERIAL:	wood, metal, plastic	A4
WEIGHT:	SCALE: 1:30	SHEET 6 OF 13

Wood post!!

A

B

C

D

E

6 x 90 Woodscrew

Profile post cap with cut edges

LM012-1 98x98x950 Post

U-profile groundfixing 750mm

M10x120 bolt DIN603

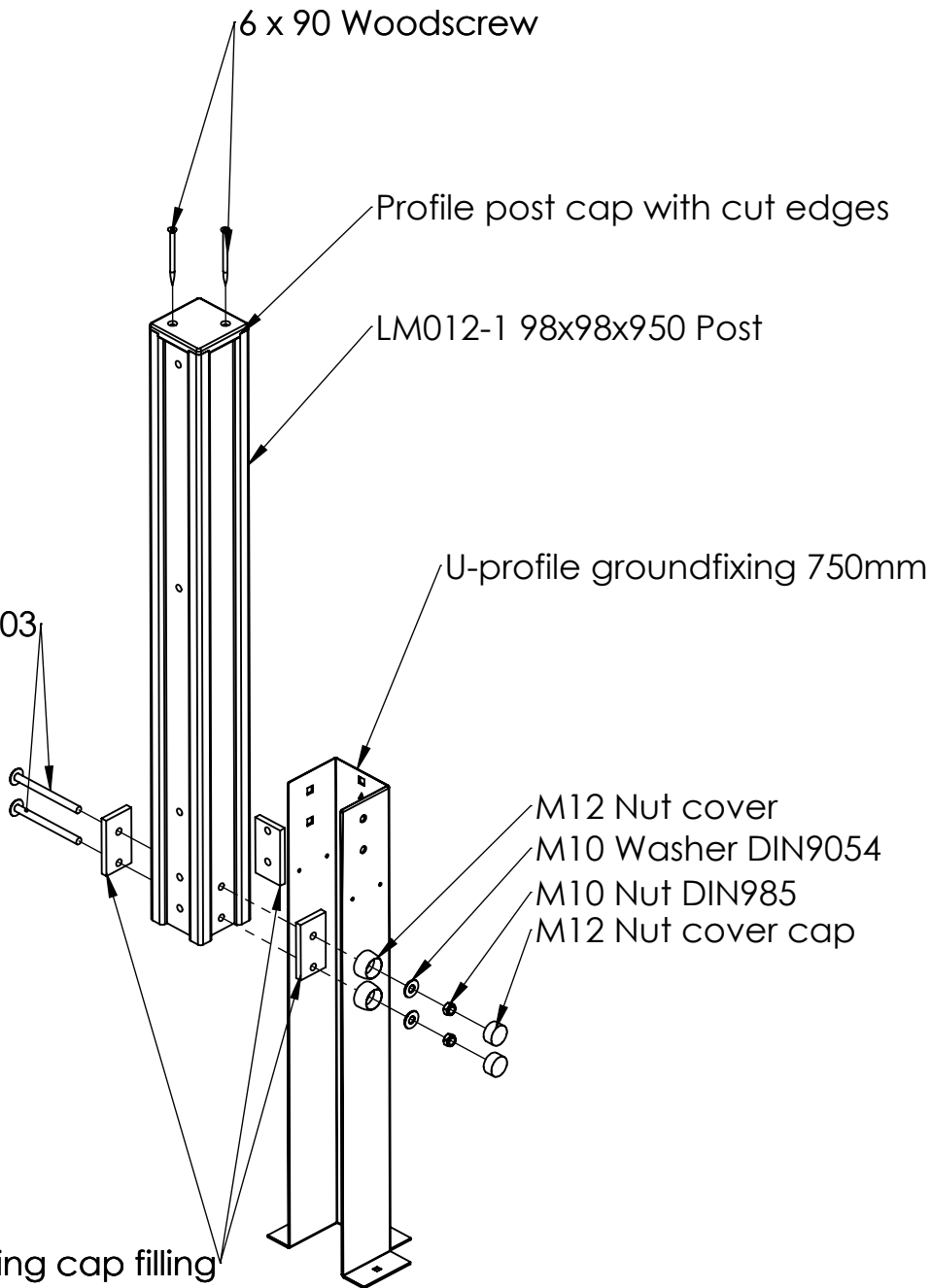
M12 Nut cover

M10 Washer DIN9054

M10 Nut DIN985

M12 Nut cover cap

750mm U-groundfixing cap filling



UNLESS OTHERWISE SPECIFIED:
DIMENSIONS ARE IN MILLIMETERS
WEIGHT ARE IN KILOGRAMM

PART NUMBER / DWG NO.:

LM012-1

	NAME	SIGNATURE	DATE	REVISION
DRAWN	I.Agar		07.03.2022	
APPV'D				

DESCRIPTION:

Slide Bud



MATERIAL:

wood, metal, plastic

A4

WEIGHT:

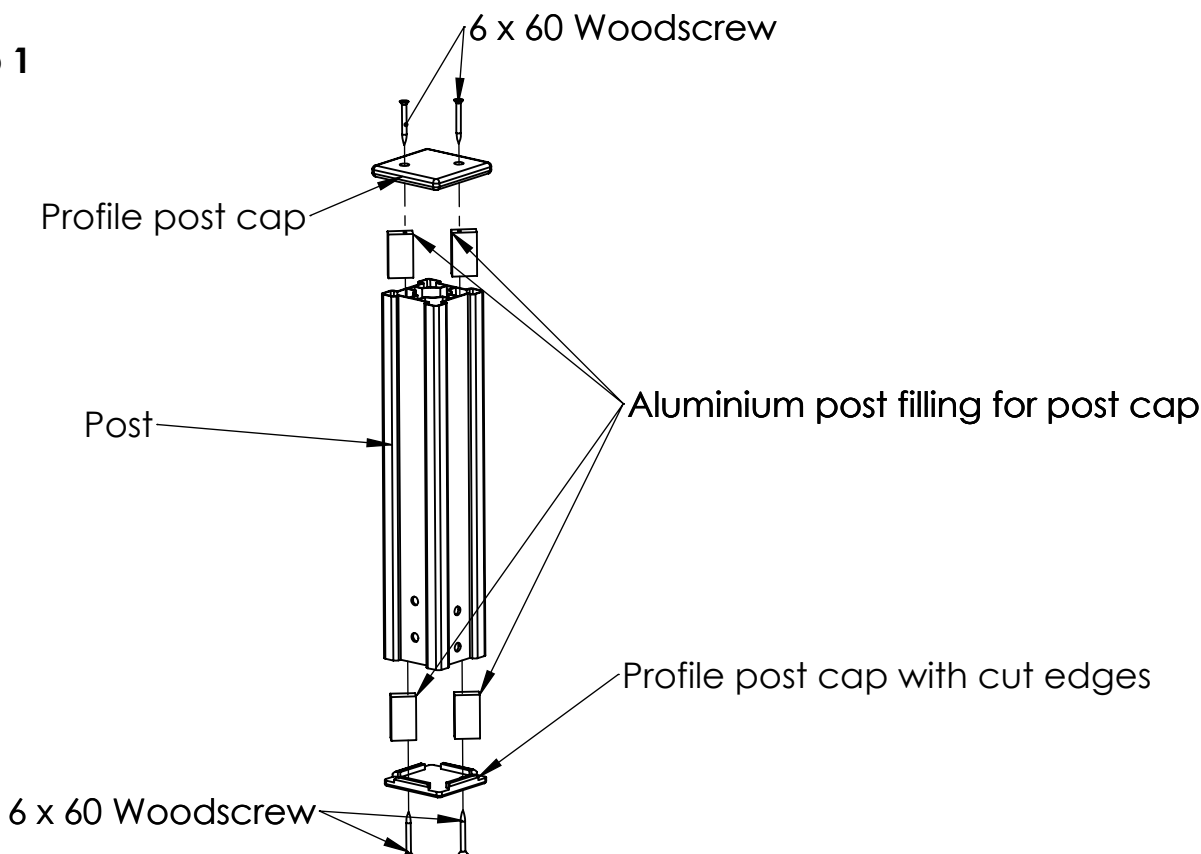
SCALE: 1:10

SHEET 7 OF 13

Aluminium profile post cap and 750mm U-profile groundfixing assembly

A

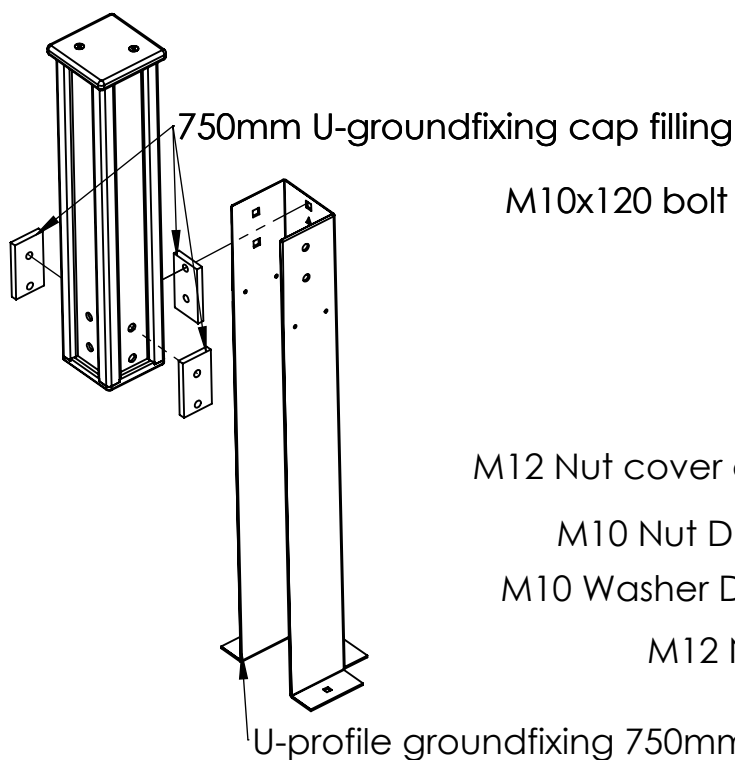
Step 1



B

C

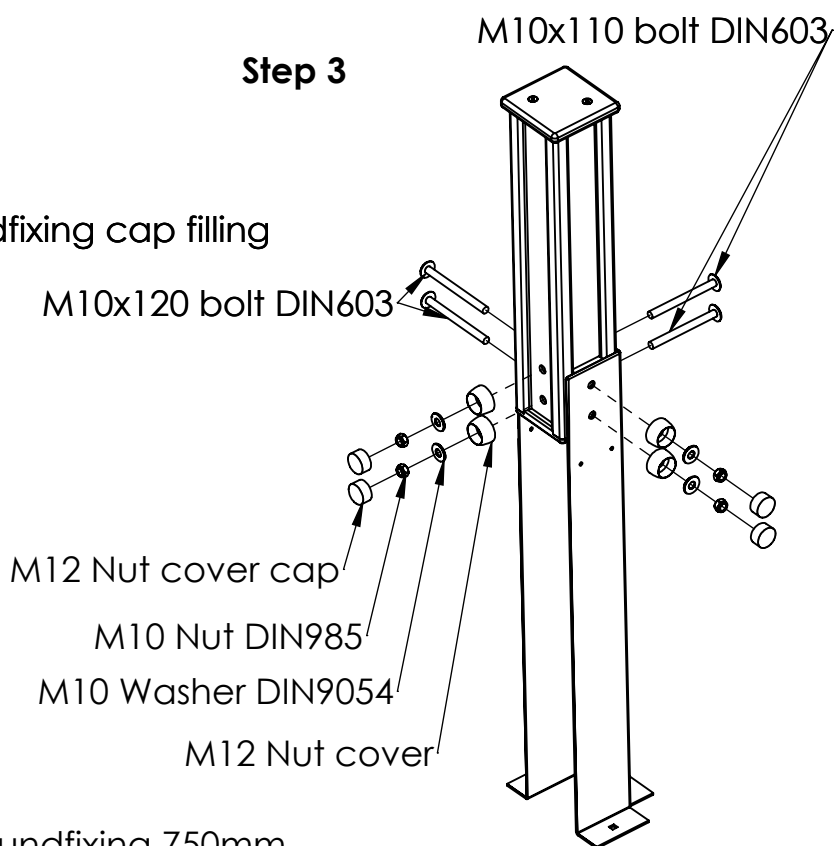
Step 2



D

E

Step 3



UNLESS OTHERWISE SPECIFIED:
DIMENSIONS ARE IN MILLIMETERS
WEIGHT ARE IN KILOGRAMM

PART NUMBER / DWG NO.:

LM012-1

	NAME	SIGNATURE	DATE	REVISION
DRAWN	I.Agar		07.03.2022	
APPV'D				

DESCRIPTION:

Slide Bud



Verklighet för drömmar

MATERIAL:

wood, metal, plastic

A4

WEIGHT:

SCALE: 1:10

SHEET 8 OF 13

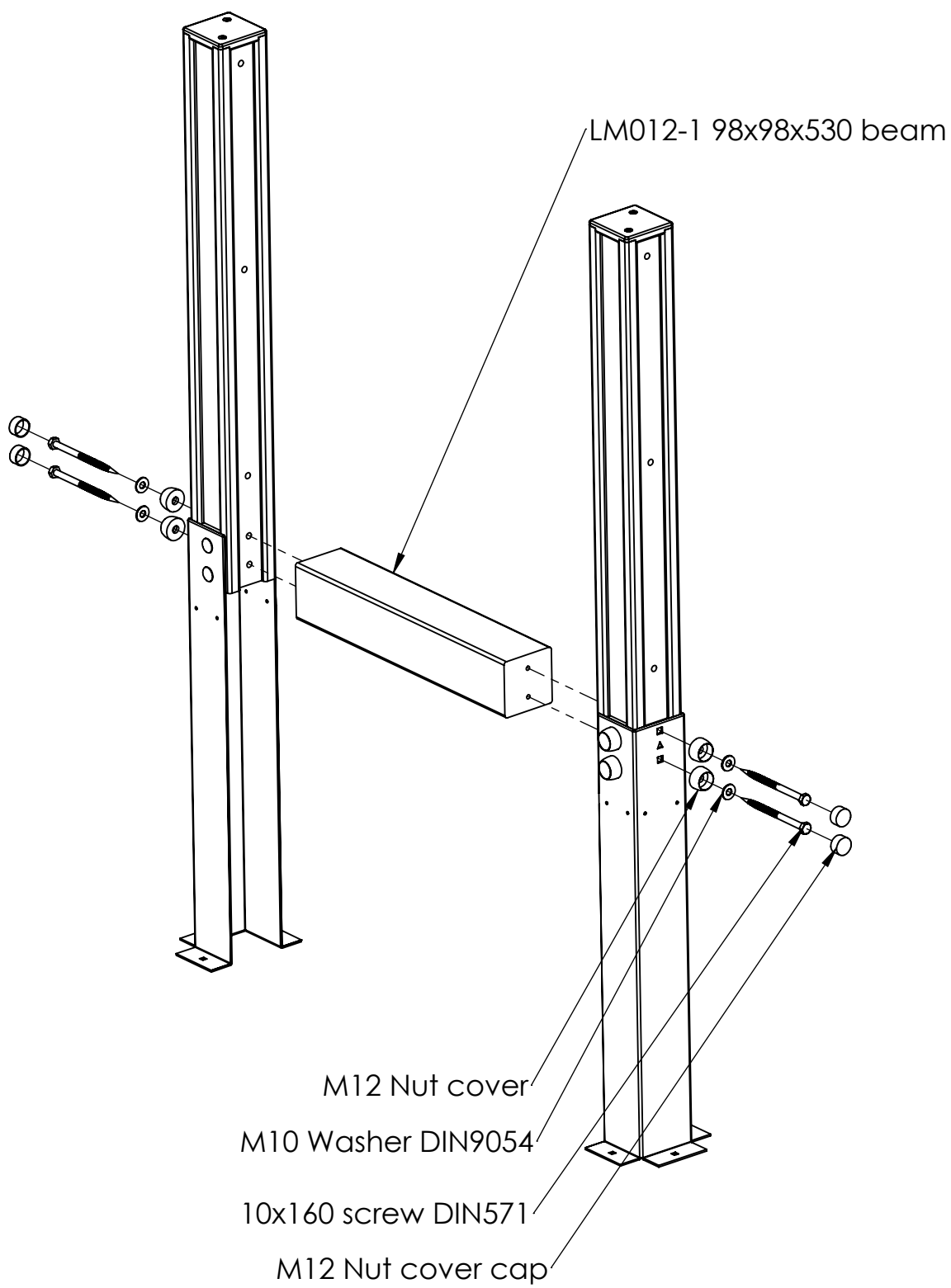
A

B

C

D

E



LM012-1 98x98x530 beam

M12 Nut cover

M10 Washer DIN9054

10x160 screw DIN571

M12 Nut cover cap

UNLESS OTHERWISE SPECIFIED:
DIMENSIONS ARE IN MILLIMETERS
WEIGHT ARE IN KILOGRAMM

PART NUMBER / DWG NO.:	LM012-1
------------------------	---------

	NAME	SIGNATURE	DATE	REVISION
DRAWN	I.Agar		07.03.2022	
APPV'D				

DESCRIPTION:	Slide Bud
--------------	-----------



MATERIAL:	wood, metal, plastic	A4
WEIGHT:	SCALE: 1:10	SHEET 9 OF 13

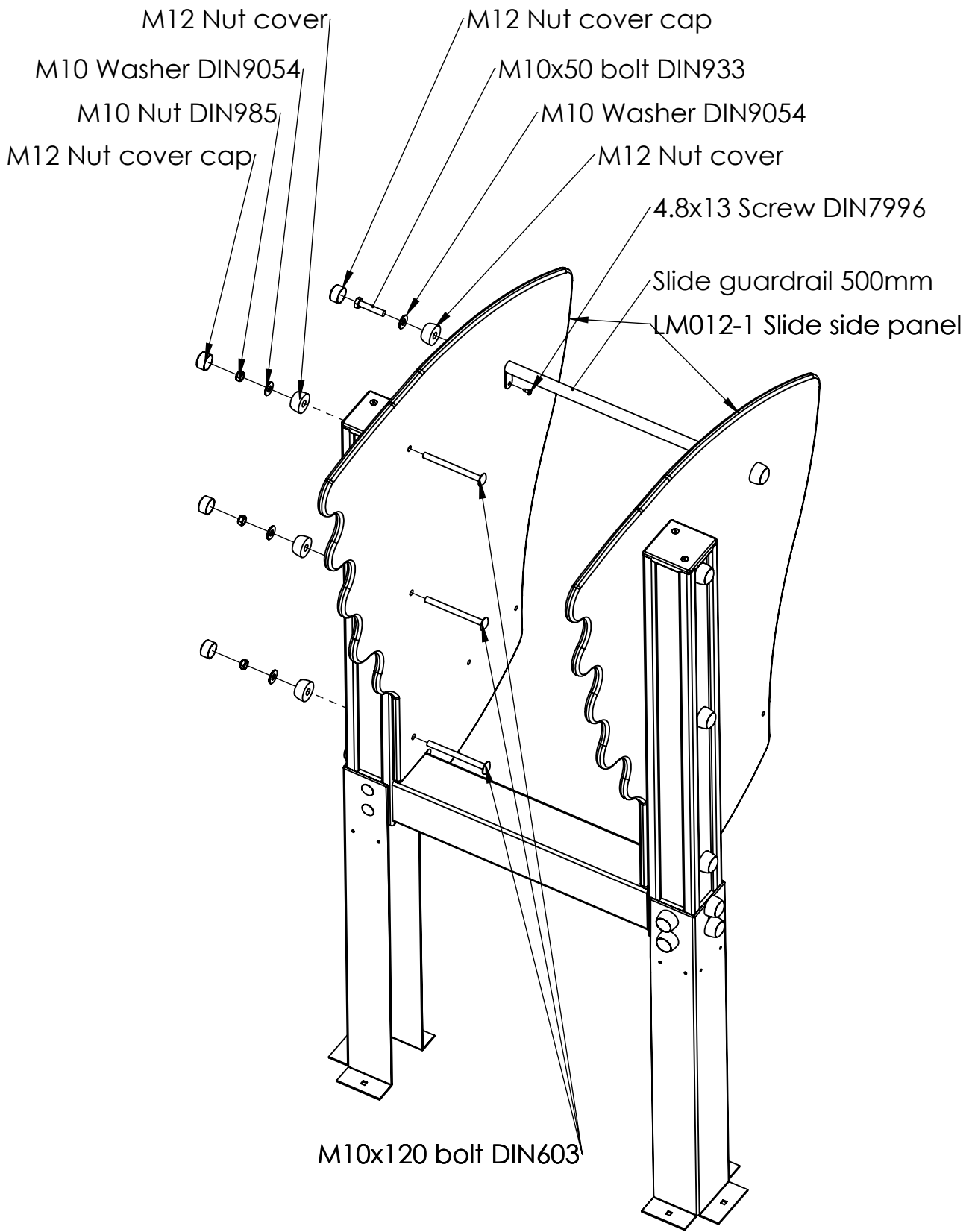
A

B

C

D

E



UNLESS OTHERWISE SPECIFIED:
 DIMENSIONS ARE IN MILLIMETERS
 WEIGHT ARE IN KILOGRAMM

PART NUMBER / DWG NO.:
LM012-1

	NAME	SIGNATURE	DATE	REVISION
DRAWN	I.Agar		07.03.2022	
APPV'D				

DESCRIPTION:
Slide Bud



MATERIAL:	wood, metal, plastic	A4
WEIGHT:	SCALE: 1:10	SHEET 10 OF 13

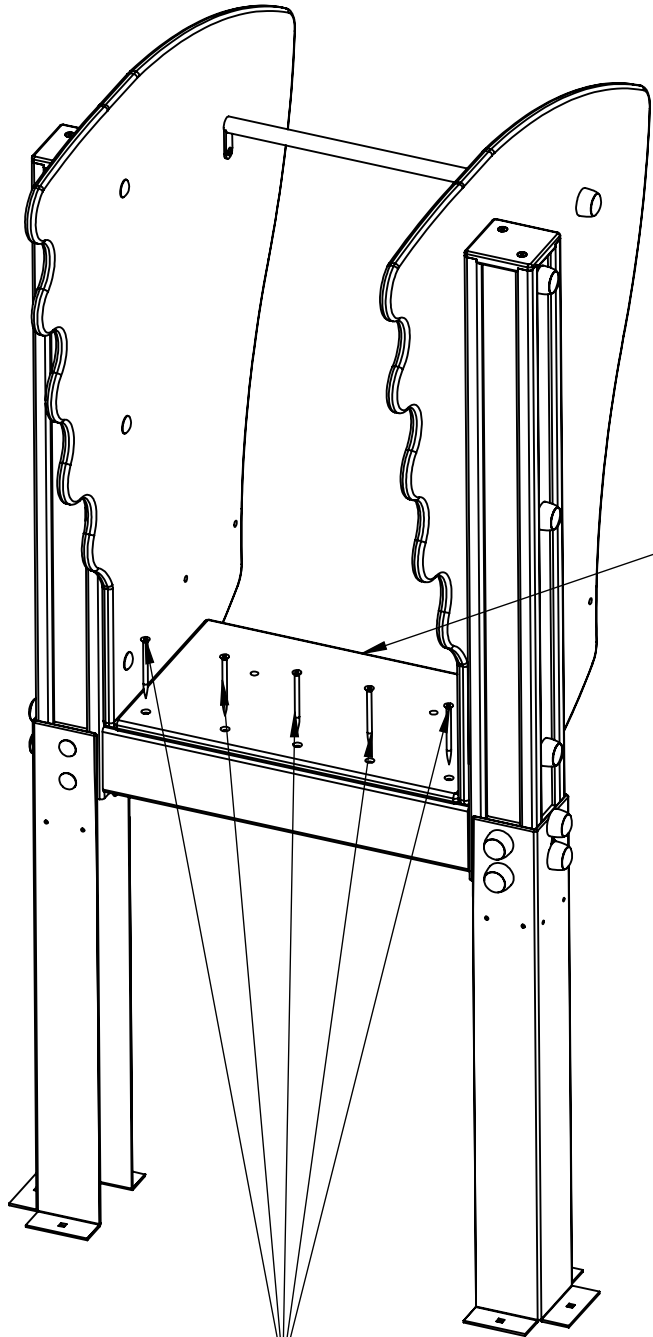
A

B

C

D

E



LM012-1 Start panel

6 x 90 Woodscrew

UNLESS OTHERWISE SPECIFIED:
 DIMENSIONS ARE IN MILLIMETERS
 WEIGHT ARE IN KILOGRAMM

	NAME	SIGNATURE	DATE	REVISION
DRAWN	I.Agar		07.03.2022	
APPV'D				

PART NUMBER / DWG NO.:
LM012-1

DESCRIPTION:
Slide Bud



MATERIAL:	wood, metal, plastic	A4
WEIGHT:	SCALE: 1:10	SHEET 11 OF 13

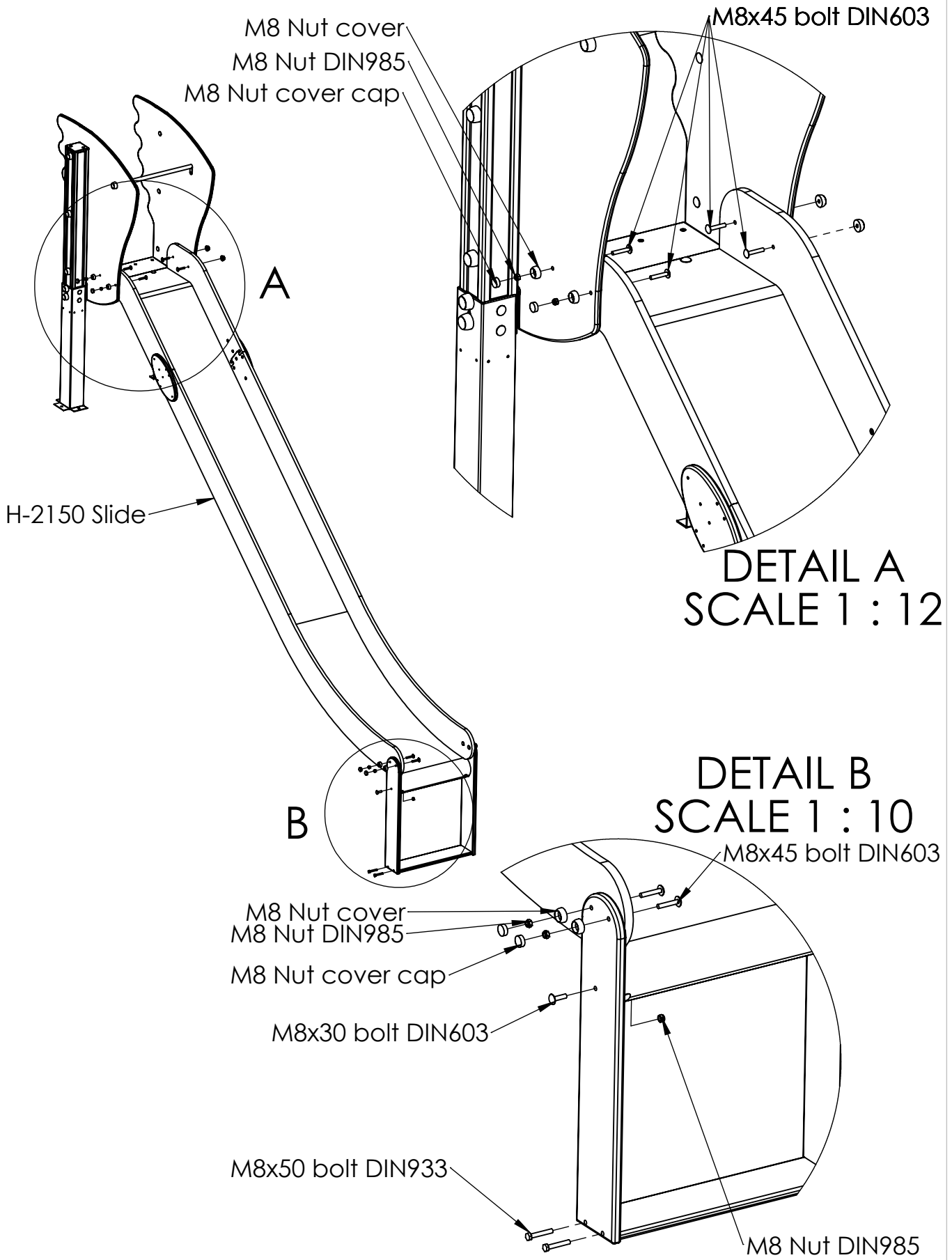
A

B

C

D

E



UNLESS OTHERWISE SPECIFIED:
DIMENSIONS ARE IN MILLIMETERS
WEIGHT ARE IN KILOGRAMM

	NAME	SIGNATURE	DATE	REVISION
DRAWN	I.Agar		07.03.2022	
APPV'D				

PART NUMBER / DWG NO.:
LM012-1

DESCRIPTION:
Slide Bud



MATERIAL:	wood, metal, plastic	A4
WEIGHT:	SCALE: 1:30	SHEET 12 OF 13

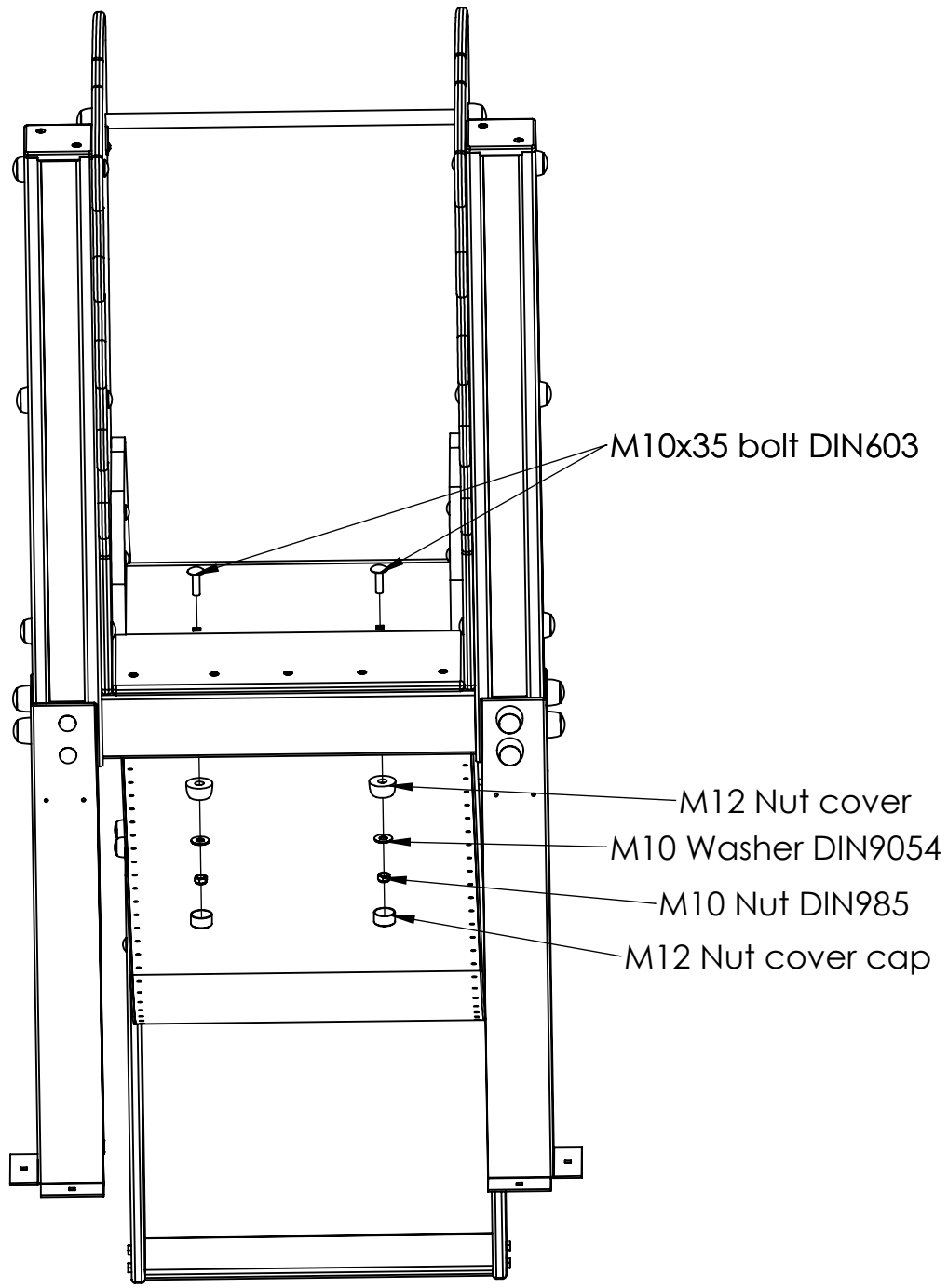
A

B

C

D

E



UNLESS OTHERWISE SPECIFIED:
 DIMENSIONS ARE IN MILLIMETERS
 WEIGHT ARE IN KILOGRAMM

PART NUMBER / DWG NO.:
LM012-1

	NAME	SIGNATURE	DATE	REVISION
DRAWN	I.Agar		07.03.2022	
APPV'D				

DESCRIPTION:
Slide Bud



MATERIAL:	wood, metal, plastic	A4
WEIGHT:	SCALE: 1:10	SHEET 13 OF 13