

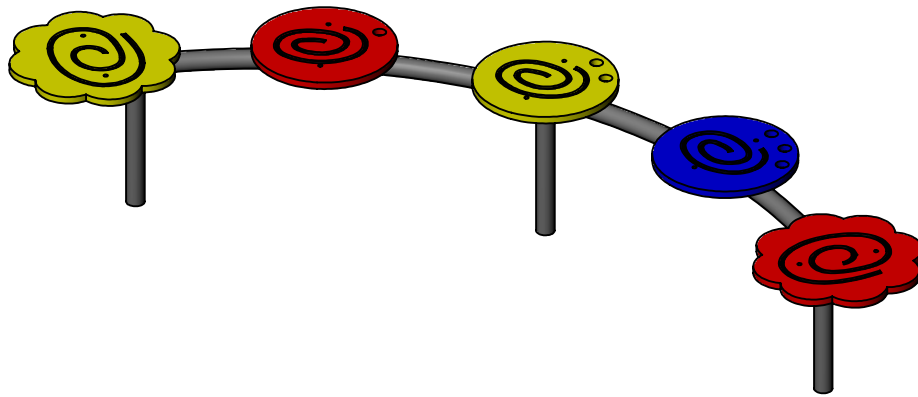
A

B

C

D

E



UNLESS OTHERWISE SPECIFIED:
 DIMENSIONS ARE IN MILLIMETERS
 WEIGHT ARE IN KILOGRAMM

PART NUMBER / DWG NO.:

PVP10S

	NAME	SIGNATURE	DATE	REVISION
DRAWN	I.Agar		20.11.2020	
APPV'D				

DESCRIPTION:

Spiral beam Snake small



MATERIAL:

wood, metal, plastic

A4

WEIGHT:

SCALE: 1:15

SHEET 1 OF 6

Safety area

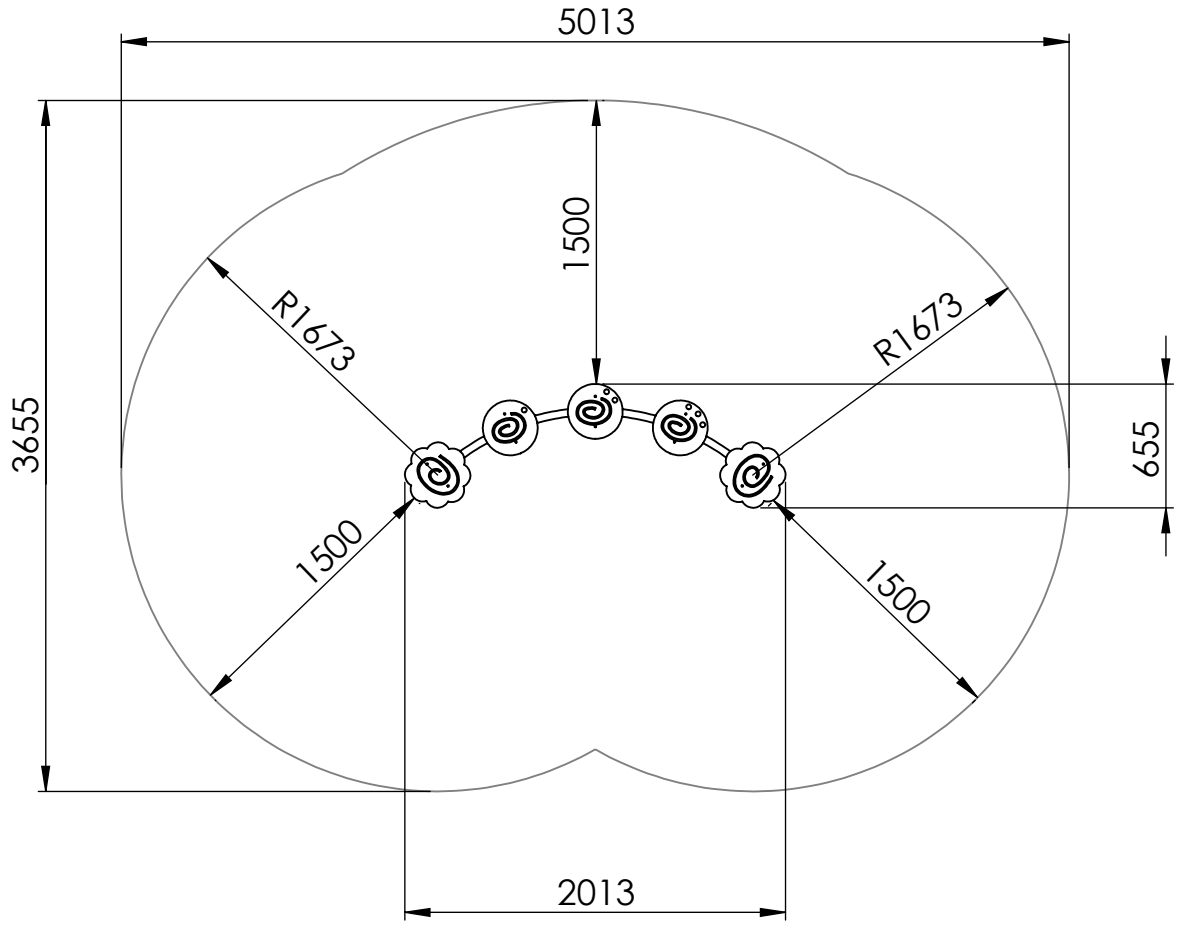
A

B

C

D

E



UNLESS OTHERWISE SPECIFIED:
 DIMENSIONS ARE IN MILLIMETERS
 WEIGHT ARE IN KILOGRAMM

PART NUMBER / DWG NO.:
PVP10S

	NAME	SIGNATURE	DATE	REVISION
DRAWN	I.Agar		20.11.2020	
APPV'D				

DESCRIPTION:
Spiral beam Snake small



MATERIAL:	wood, metal, plastic	A4
WEIGHT:	SCALE: 1:40	SHEET 2 OF 6

Foundation

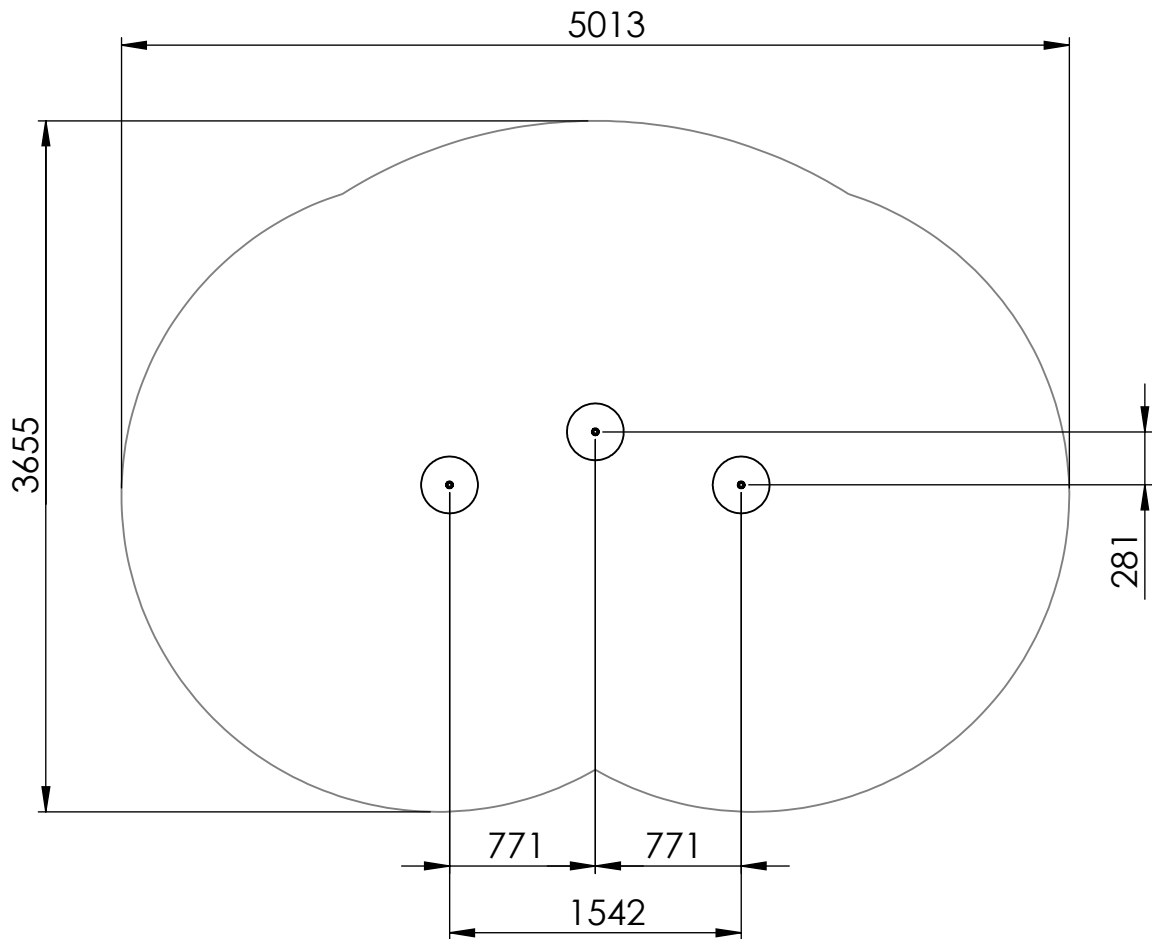
A

B

C

D

E



UNLESS OTHERWISE SPECIFIED:
 DIMENSIONS ARE IN MILLIMETERS
 WEIGHT ARE IN KILOGRAMM

PART NUMBER / DWG NO.:

PVP10S

	NAME	SIGNATURE	DATE	REVISION
DRAWN	I.Agar		20.11.2020	
APPV'D				

DESCRIPTION:

Spiral beam Snake small



MATERIAL:

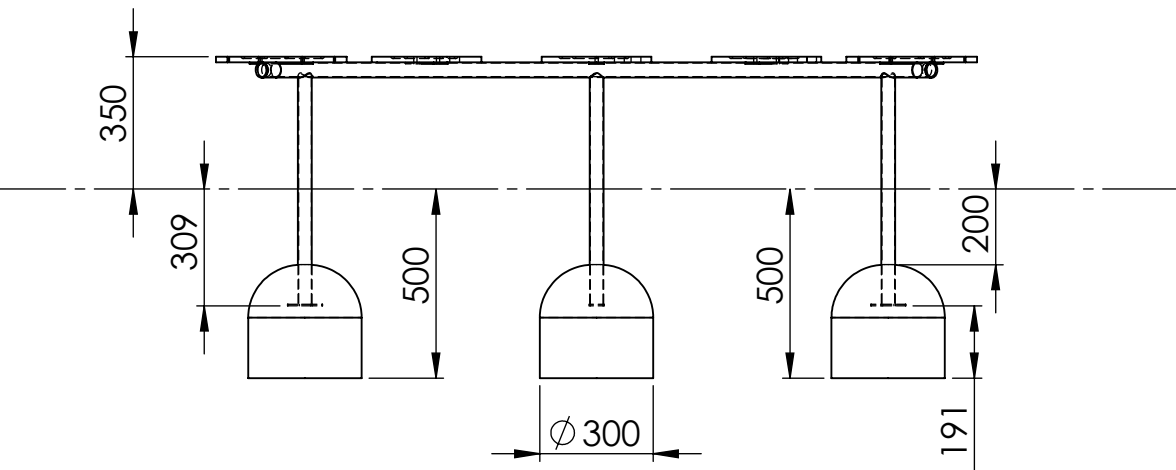
wood, metal, plastic

A4

WEIGHT:

SCALE: 1:40

SHEET 3 OF 6



UNLESS OTHERWISE SPECIFIED:
DIMENSIONS ARE IN MILLIMETERS
WEIGHT ARE IN KILOGRAMM

PART NUMBER / DWG NO.:

PVP10S

	NAME	SIGNATURE	DATE	REVISION
DRAWN	I.Agar		20.11.2020	
APPV'D				

DESCRIPTION:

Spiral beam Snake small

READYMADE
Verklighet för drömmar

MATERIAL:

wood, metal, plastic

A4

WEIGHT:

SCALE: 1:20

SHEET 4 OF 6

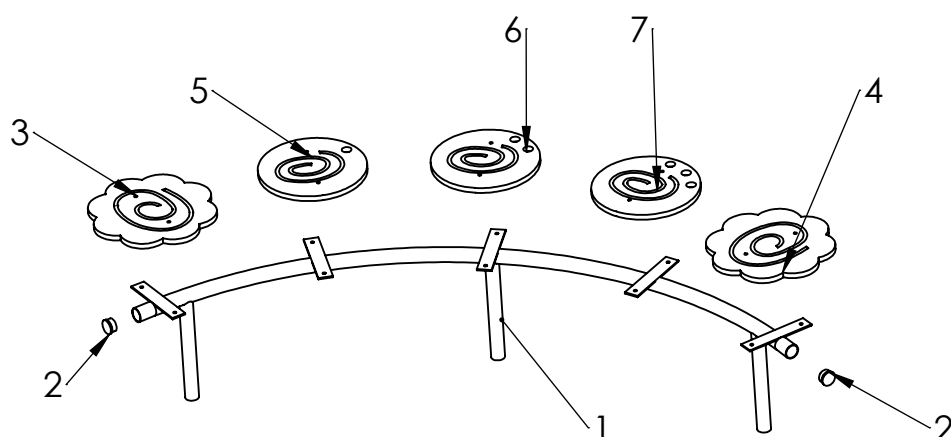
A

B

C

D

E



ITEM NO.	PART NUMBER	DESCRIPTION	QTY.
1	PVP10 metal beam	Steel	1
2	Cap	Plastic	2
3	Snake flower, yellow	HDPE plastic	1
4	Snake flower, red	HDPE plastic	1
5	Snake circle, 1 holes, red	HDPE plastic	1
6	Snake circle, 2 holes, yellow	HDPE plastic	1
7	Snake circle, 3 holes, blue	HDPE plastic	1

UNLESS OTHERWISE SPECIFIED:
DIMENSIONS ARE IN MILLIMETERS
WEIGHT ARE IN KILOGRAMM

PART NUMBER / DWG NO.:

PVP10S

	NAME	SIGNATURE	DATE	REVISION
DRAWN	I.Agar		20.11.2020	
APPV'D				

DESCRIPTION:

Spiral beam Snake small

READYMADE
Verklighet för drömmar

MATERIAL:

wood, metal, plastic

A4

WEIGHT:

SCALE: 1:20

SHEET 5 OF 6

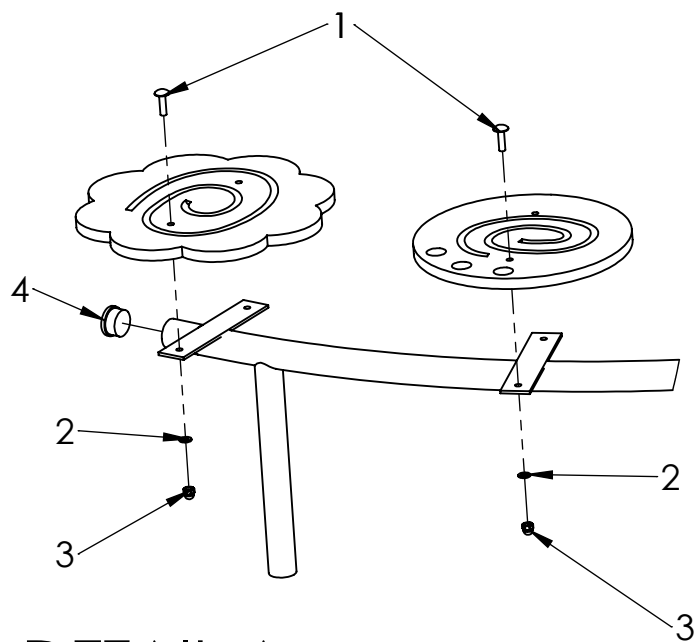
A

B

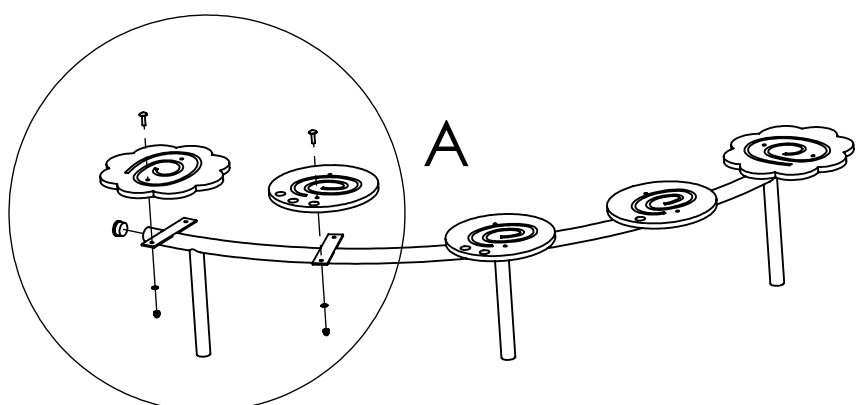
C

D

E



DETAIL A
SCALE 1 : 10



ITEM NO.	PART NUMBER
1	bolt DIN603 M8x30
2	washer M8 DIN125
3	domed cap nut DIN1587 M8
4	Cap

UNLESS OTHERWISE SPECIFIED: DIMENSIONS ARE IN MILLIMETERS WEIGHT ARE IN KILOGRAMM				
	NAME	SIGNATURE	DATE	REVISION
DRAWN	I.Agar		20.11.2020	
APPV'D				

PART NUMBER / DWG NO.:	PVP10S
DESCRIPTION:	Spiral beam Snake small



MATERIAL:	wood, metal, plastic	A4
WEIGHT:	SCALE: 1:20	SHEET 6 OF 6