

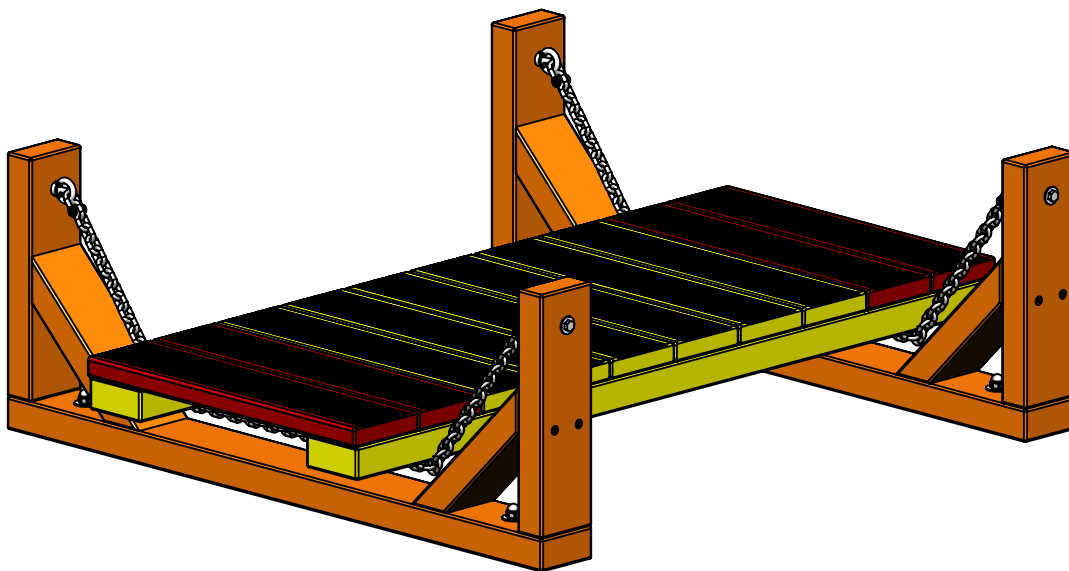
A

B

C

D

E



UNLESS OTHERWISE SPECIFIED:
 DIMENSIONS ARE IN MILLIMETERS
 WEIGHT ARE IN KILOGRAMM

PART NUMBER / DWG NO.:

AT010

	NAME	SIGNATURE	DATE	REVISION
DRAWN	I.Agar		24.05.2022	
APPV'D				

DESCRIPTION:

Agility Suspension bridge



MATERIAL:

wood, metal, plastic

A4

WEIGHT:

SCALE: 1:10

SHEET 1 OF 4

Foundation

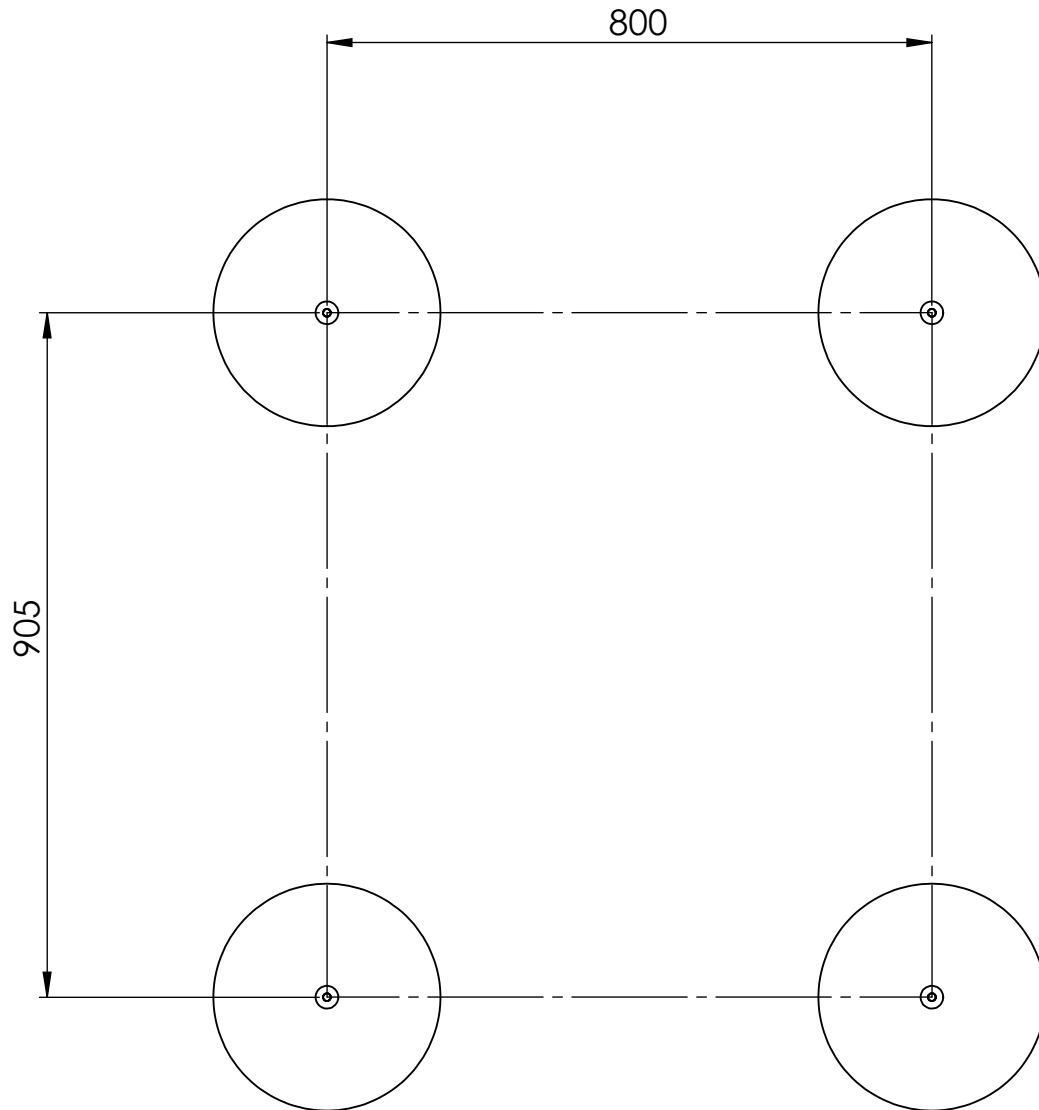
A

B

C

D

E



UNLESS OTHERWISE SPECIFIED:
DIMENSIONS ARE IN MILLIMETERS
WEIGHT ARE IN KILOGRAMM

PART NUMBER / DWG NO.:

AT010

	NAME	SIGNATURE	DATE	REVISION
DRAWN	I.Agar		24.05.2022	
APPV'D				

DESCRIPTION:

Agility Suspension bridge



MATERIAL:

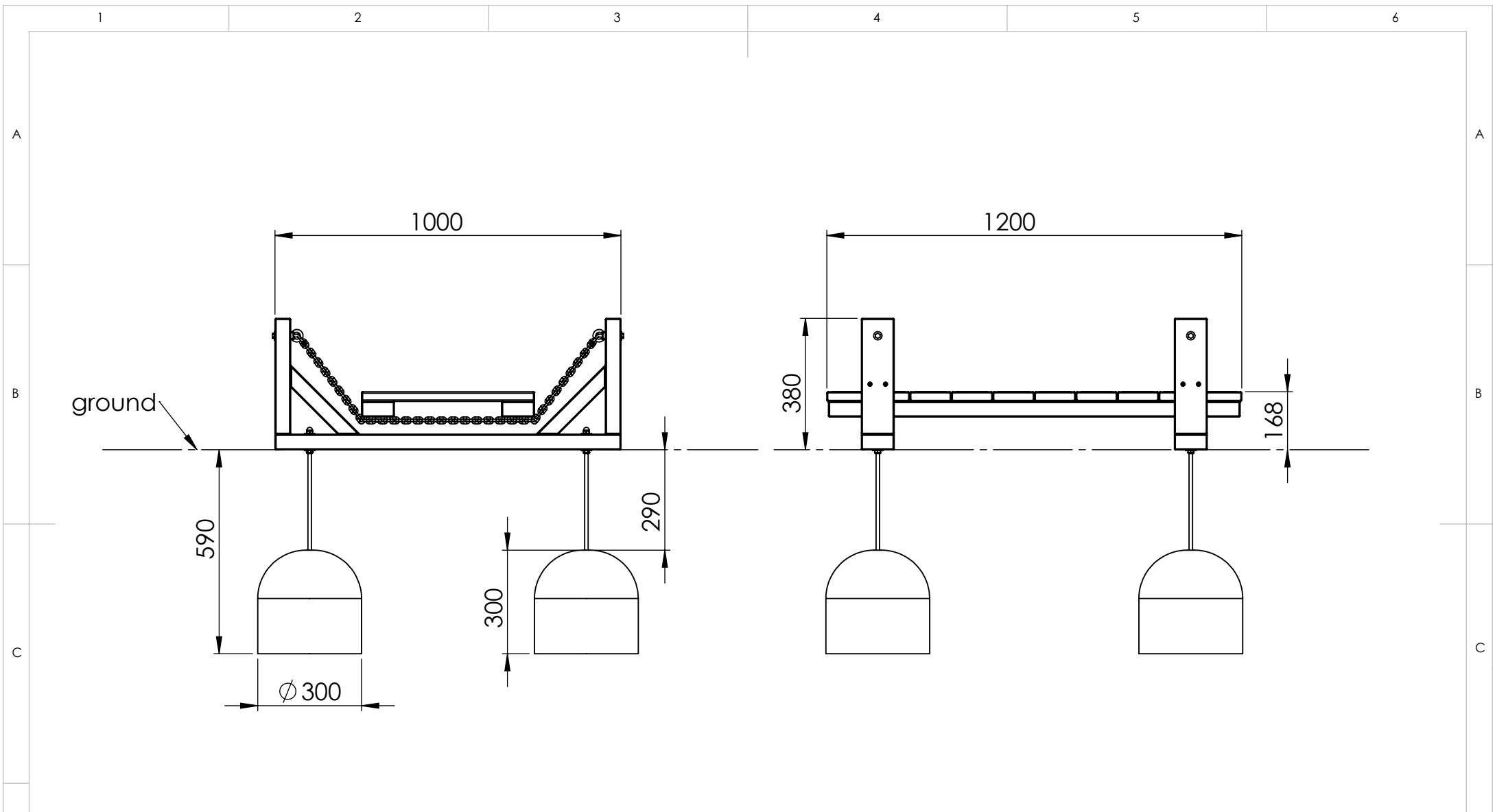
wood, metal, plastic

A4

WEIGHT:

SCALE: 1:10

SHEET 2 OF 4



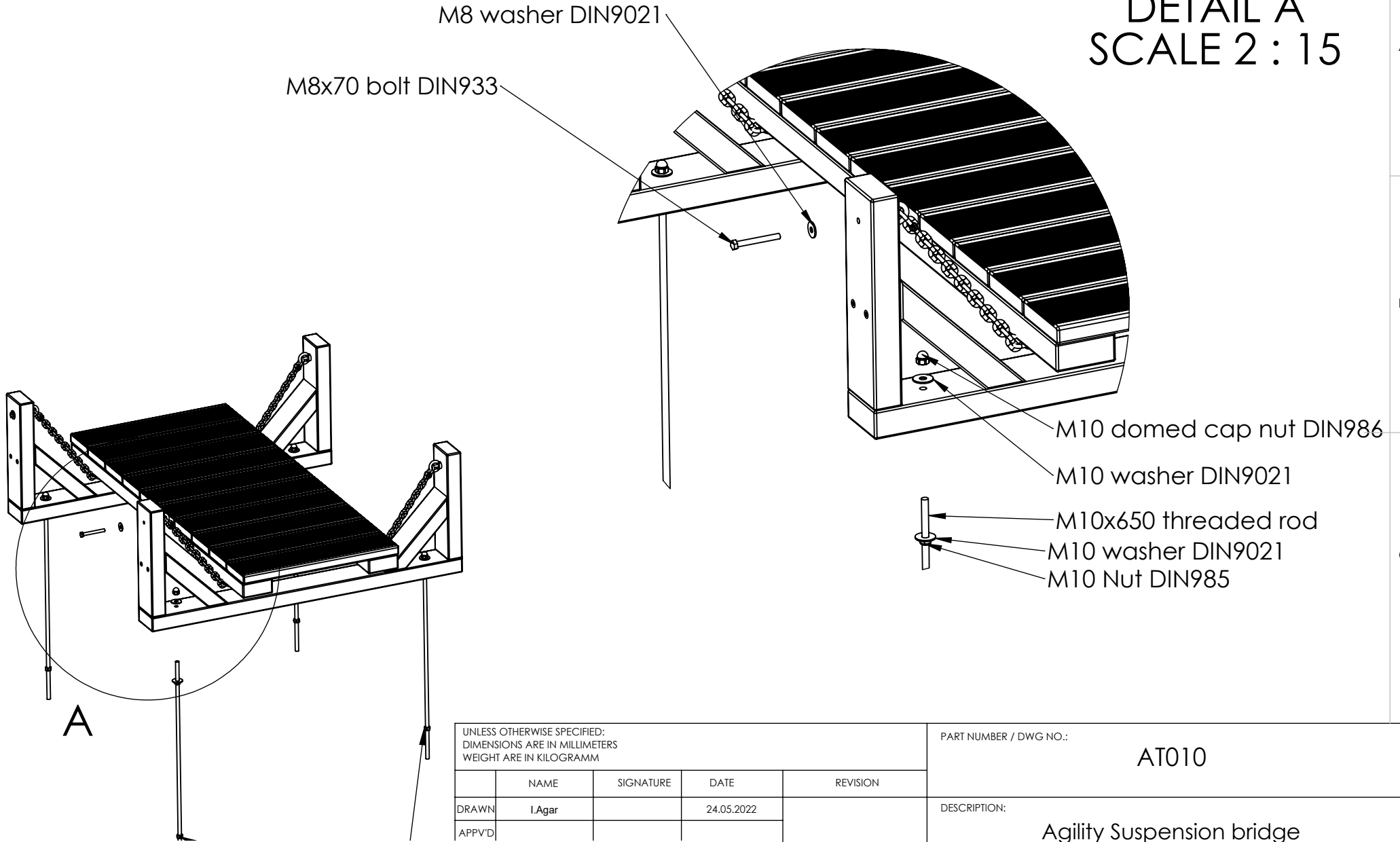
UNLESS OTHERWISE SPECIFIED:
DIMENSIONS ARE IN MILLIMETERS
WEIGHT ARE IN KILOGRAMM

	NAME	SIGNATURE	DATE	REVISION
DRAWN	I.Agar		24.05.2022	
APPV'D				

PART NUMBER / DWG NO.:		AT010	
DESCRIPTION:			
Agility Suspension bridge			
MATERIAL:		wood, metal, plastic	A4
WEIGHT:		SCALE: 1:15	SHEET 3 OF 4



DETAIL A SCALE 2 : 15



UNLESS OTHERWISE SPECIFIED: DIMENSIONS ARE IN MILLIMETERS WEIGHT ARE IN KILOGRAMM					PART NUMBER / DWG NO.: AT010			
	NAME	SIGNATURE	DATE	REVISION	DESCRIPTION: Agility Suspension bridge			
DRAWN	I.Agar		24.05.2022					
APPV'D								
					MATERIAL: wood, metal, plastic		A4	
					WEIGHT:		SCALE: 1:15	SHEET 4 OF 4