

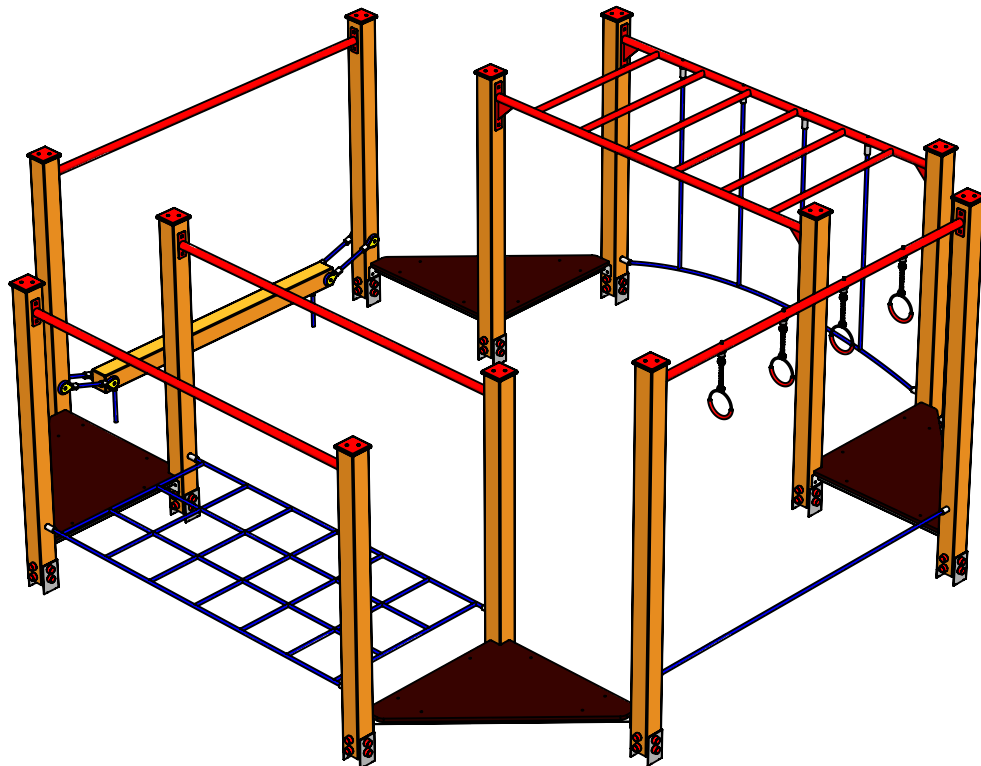
A

B

C

D

E



UNLESS OTHERWISE SPECIFIED:
 DIMENSIONS ARE IN MILLIMETERS
 WEIGHT ARE IN KILOGRAMM

	NAME	SIGNATURE	DATE	REVISION
DRAWN	M.Rebase		25.01.2018	
APPV'D				

PART NUMBER / DWG NO.:

TKR001-4

DESCRIPTION:

Balance track 4

READYMADE
Verklighet för drömmar

MATERIAL:

wood, metal, plastic

A4

WEIGHT:

SCALE: 1:30

SHEET 1 OF 12

safety area

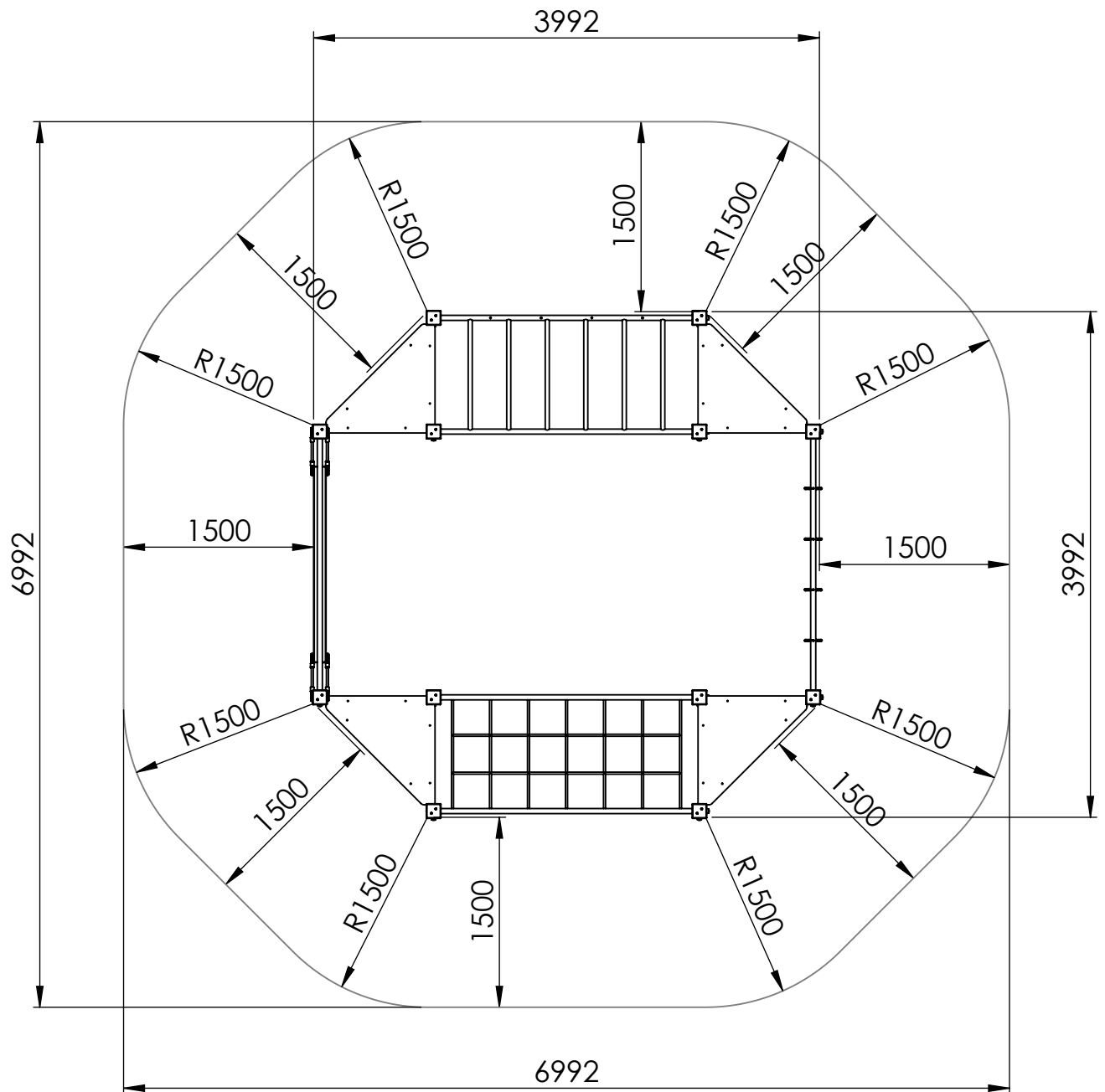
A

B

C

D

E



UNLESS OTHERWISE SPECIFIED:
DIMENSIONS ARE IN MILLIMETERS
WEIGHT ARE IN KILOGRAMM

	NAME	SIGNATURE	DATE	REVISION
DRAWN	M.Rebase		25.01.2018	
APPV'D				

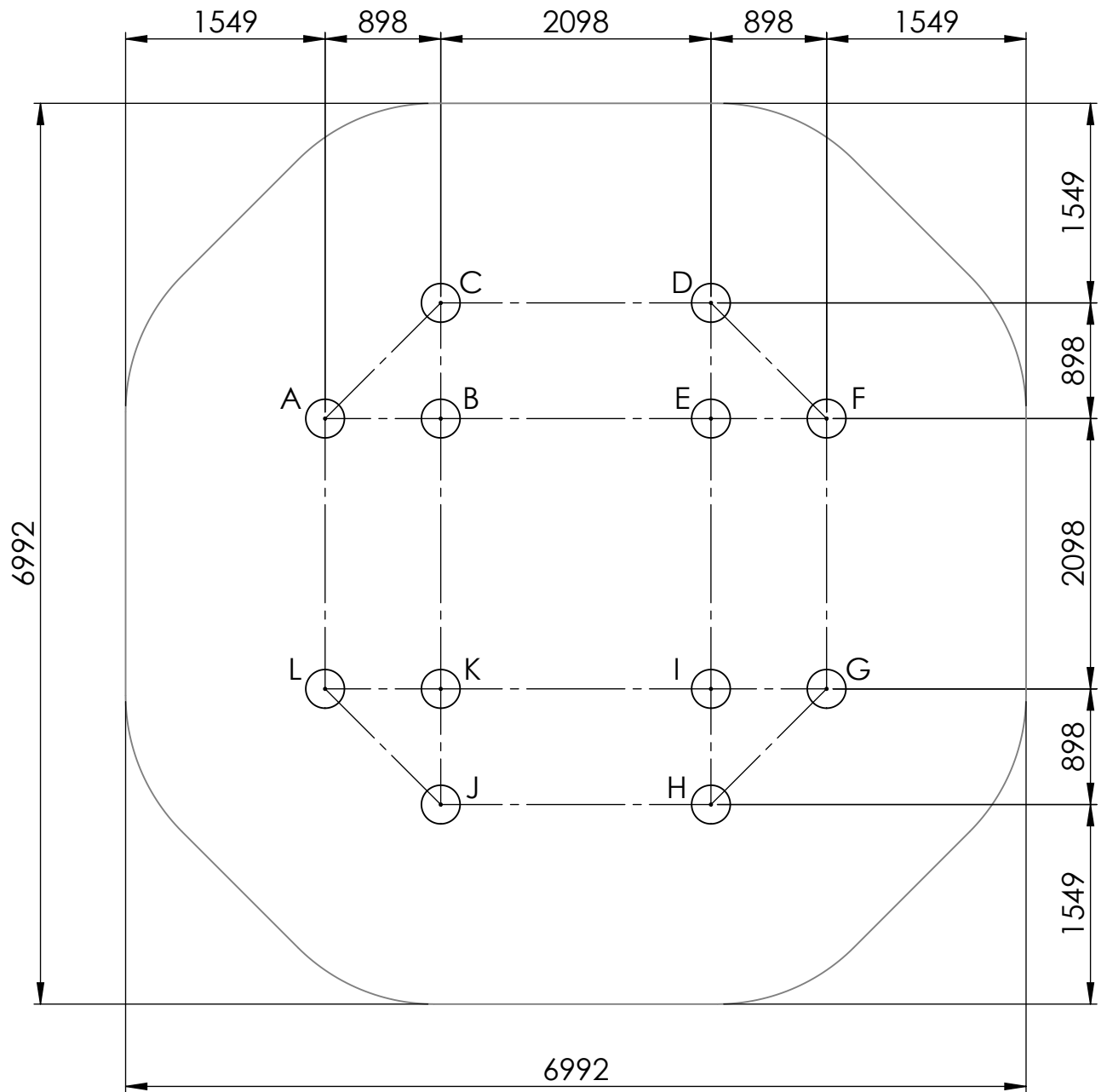
PART NUMBER / DWG NO.:
TKR001-4

DESCRIPTION:
Balance track 4



MATERIAL:	wood, metal, plastic	A4
WEIGHT:	SCALE: 1:50	SHEET 2 OF 12

safety area



UNLESS OTHERWISE SPECIFIED:
DIMENSIONS ARE IN MILLIMETERS
WEIGHT ARE IN KILOGRAMM

PART NUMBER / DWG NO.:

TKR001-4

	NAME	SIGNATURE	DATE	REVISION
DRAWN	M.Rebase		25.01.2018	
APPV'D				

DESCRIPTION:

Balance track 4

READYMADE
Verklighet för drömmar

MATERIAL:

wood, metal, plastic

A4

WEIGHT:

SCALE: 1:50

SHEET 3 OF 12

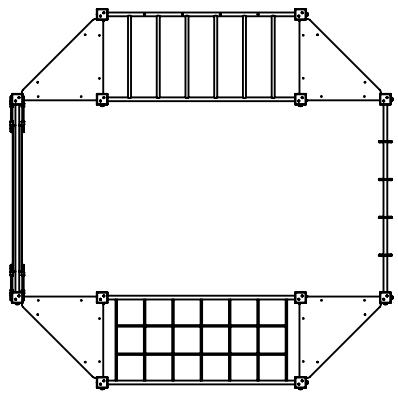
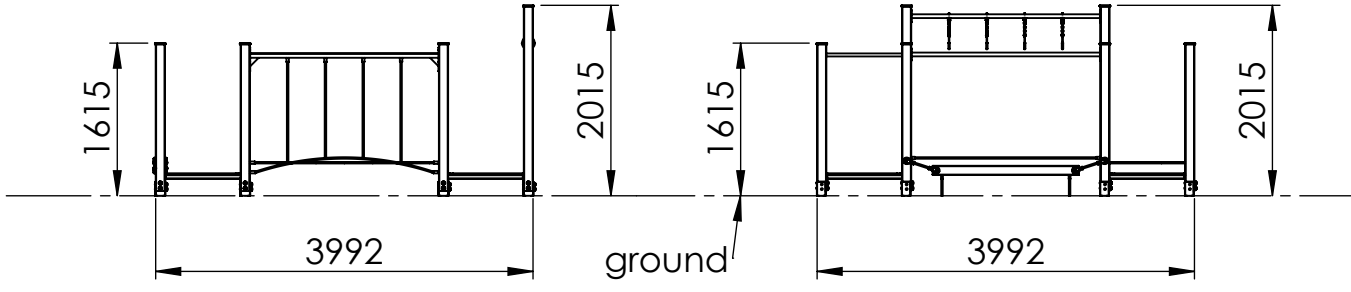
A

B

C

D

E



UNLESS OTHERWISE SPECIFIED:
 DIMENSIONS ARE IN MILLIMETERS
 WEIGHT ARE IN KILOGRAMM

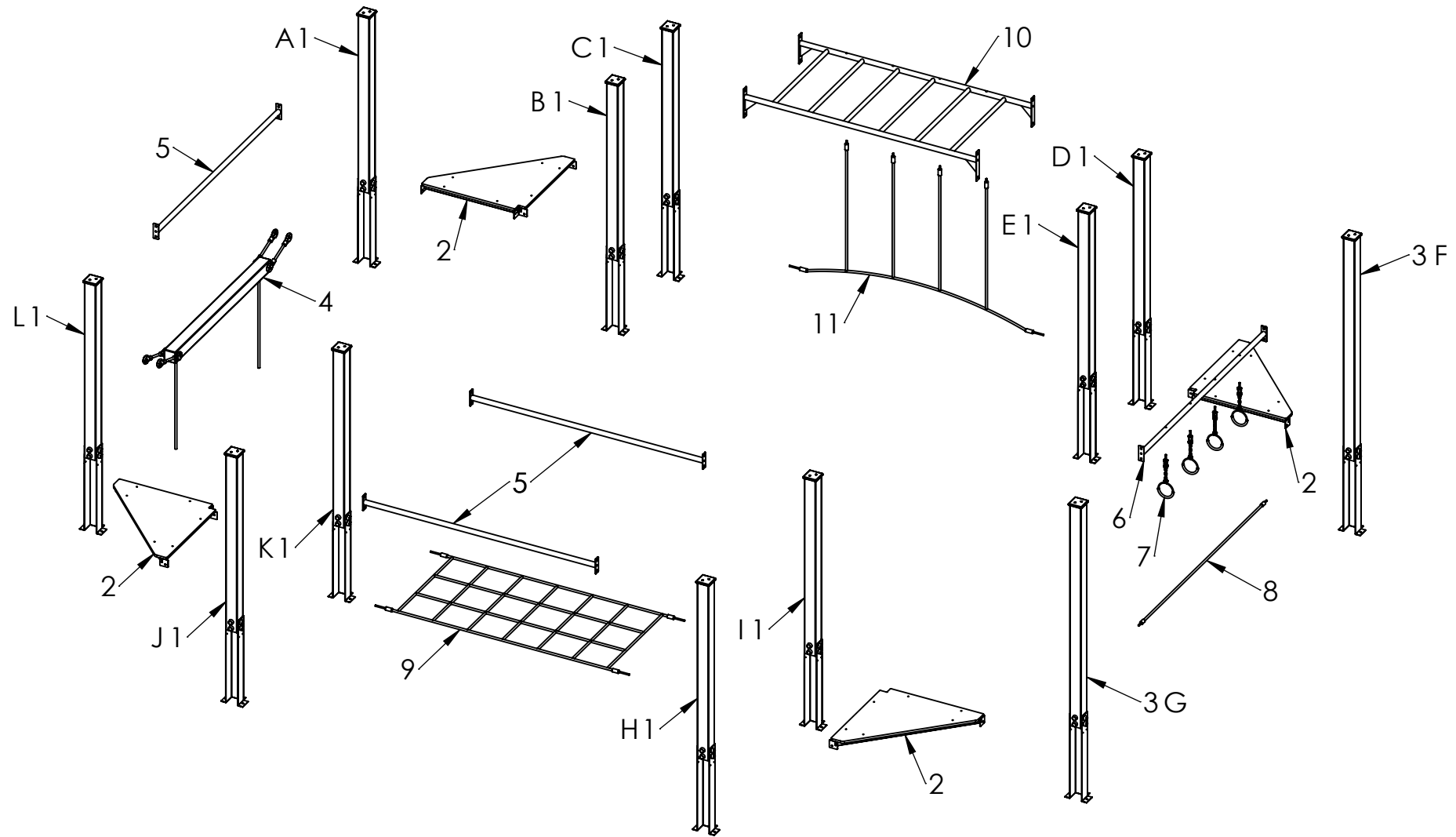
	NAME	SIGNATURE	DATE	REVISION
DRAWN	M.Rebase		25.01.2018	
APPV'D				

PART NUMBER / DWG NO.:
TKR001-4

DESCRIPTION:
Balance track 4



MATERIAL:	wood, metal, plastic	A4
WEIGHT:	SCALE: 1:80	SHEET 4 OF 12



UNLESS OTHERWISE SPECIFIED:
 DIMENSIONS ARE IN MILLIMETERS
 WEIGHT ARE IN KILOGRAMM

	NAME	SIGNATURE	DATE	REVISION
DRAWN	M.Rebase		25.01.2018	
APPV'D				

PART NUMBER / DWG NO.: **TKR001-4**

DESCRIPTION: **Balance track 4**

MATERIAL: **wood, metal, plastic**

WEIGHT: SCALE: 1:45 SHEET 5 OF 12



Tiptaptap OÜ
 Veetorni 9,
 Jüri alevik, Rae vald,
 75301 Harjumaa

ITEM NO.	PART NUMBER	DESCRIPTION	QTY.
1	post 98x98x1550	laminated wood	10
2	triangle platform	plywood, metal	4
3	post 98x98x1950	laminated wood	2
4	balancing beam	laminated wood	1
5	beam 40x2000	painted steel	3
6	beam 40x2000, 4 holes	painted steel	1
7	handle	metal	4
8	rope L-2000	PP covered steel wire	1
9	net 898x2000	PP covered steel wire	1
10	horizontal ladder	painted steel	1
11	net 1175x2000	PP covered steel wire	1

UNLESS OTHERWISE SPECIFIED:
DIMENSIONS ARE IN MILLIMETERS
WEIGHT ARE IN KILOGRAMM

PART NUMBER / DWG NO.:

TKR001-4

	NAME	SIGNATURE	DATE	REVISION
DRAWN	M.Rebase		25.01.2018	
APPV'D				

DESCRIPTION:

Balance track 4

 **READYMADE**
Verklighet för drömmar

MATERIAL:

wood, metal, plastic

A4

WEIGHT:

SCALE: 1:45

SHEET 6 OF 12

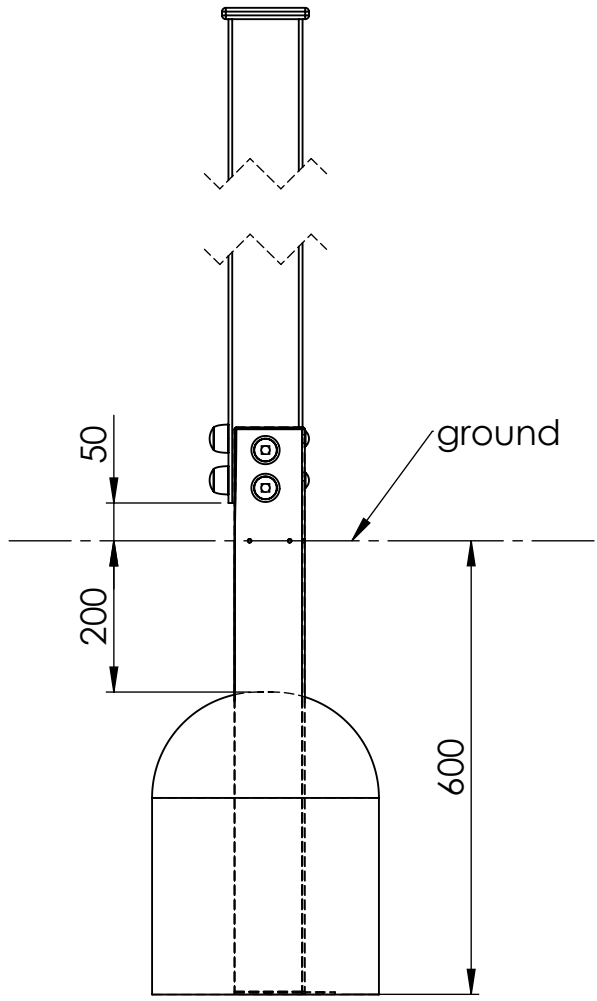
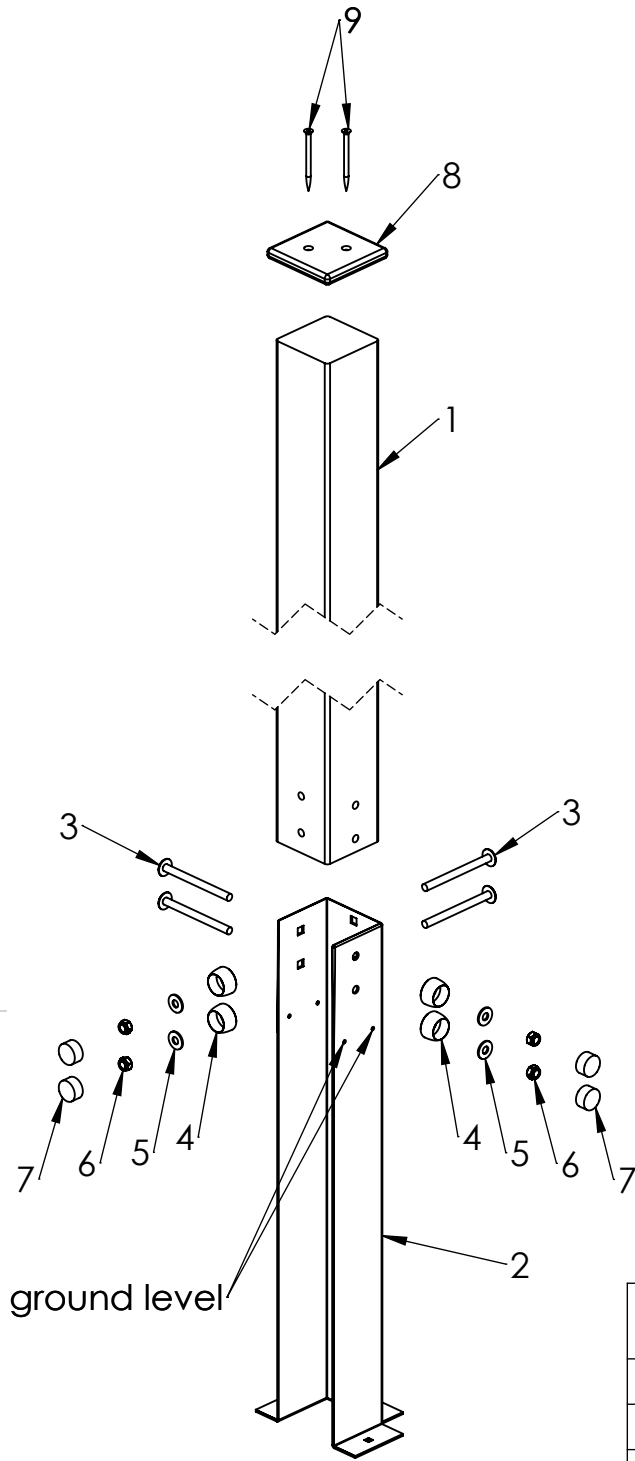
A

B

C

D

E



ITEM NO.	PART NUMBER
1	post 98x98
2	ground fixture
3	bolt M10x120 DIN603
4	nut cover M12
5	washer M10 DIN9054
6	nut M10 DIN985
7	nut cover cap M12
8	plastic cap 115x115
9	wood screw 6 x 90

UNLESS OTHERWISE SPECIFIED:
DIMENSIONS ARE IN MILLIMETERS
WEIGHT ARE IN KILOGRAMM

	NAME	SIGNATURE	DATE	REVISION
DRAWN	M.Rebase		25.01.2018	
APPV'D				

PART NUMBER / DWG NO.:
TKR001-4

DESCRIPTION:
**Balance track 4
connecting ground fixture to post**

MATERIAL:
wood, metal, plastic

WEIGHT: SCALE: 1:10 SHEET 7 OF 12



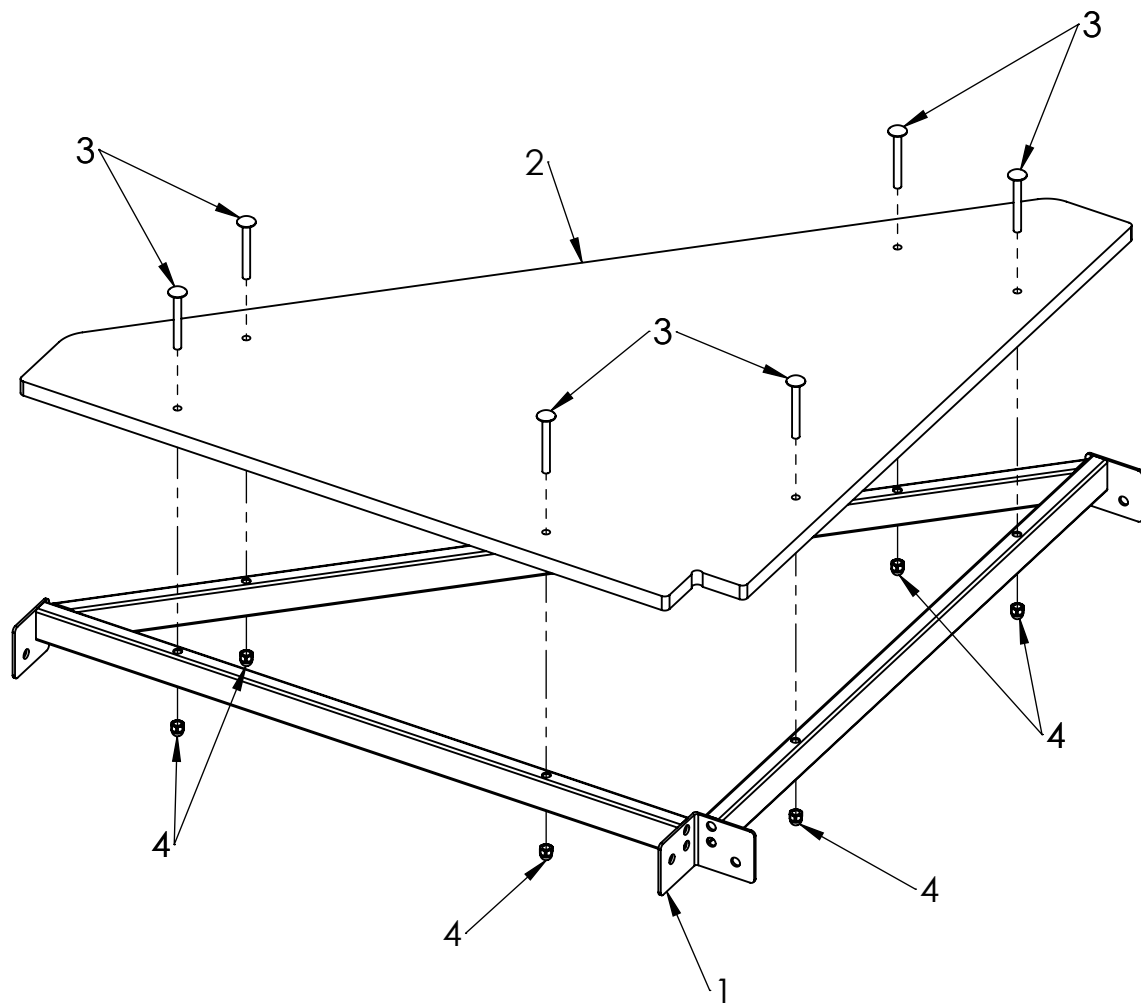
A

B

C

D

E



ITEM NO.	PART NUMBER
1	frame for platform
2	platform triangle
3	bolt M8x70 DIN603
4	domed cap nut M8 DIN986

UNLESS OTHERWISE SPECIFIED:
DIMENSIONS ARE IN MILLIMETERS
WEIGHT ARE IN KILOGRAMM

	NAME	SIGNATURE	DATE	REVISION
DRAWN	M.Rebase		25.01.2018	
APPV'D				

PART NUMBER / DWG NO.:

TKR001-4

DESCRIPTION:

Balance track 4

READYMADE
Verklighet för drömmar

MATERIAL:

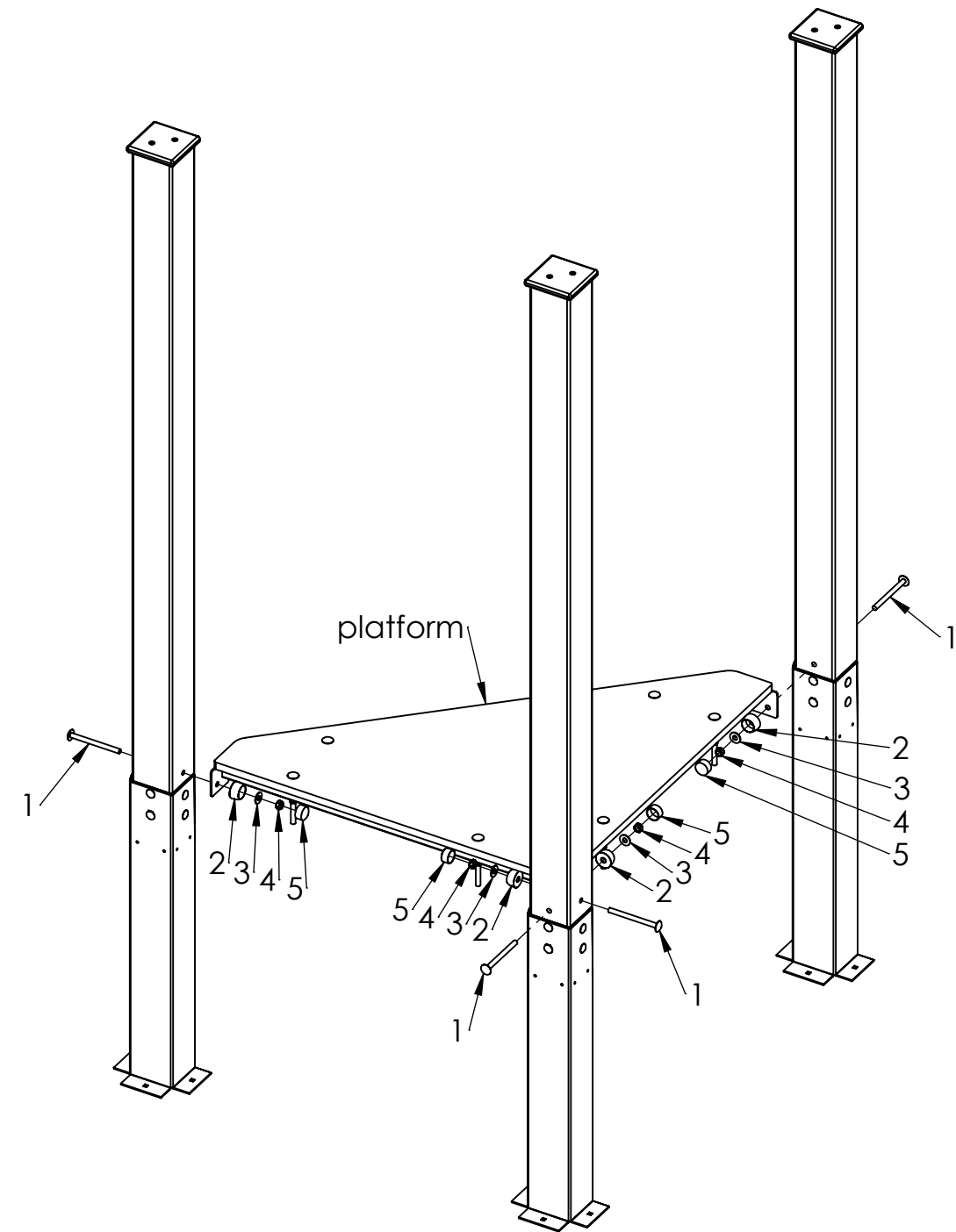
wood, metal, plastic

A4

WEIGHT:

SCALE: 1:8

SHEET 8 OF 12



ITEM NO.	PART NUMBER
1	bolt M10x120 DIN603
2	nut cover M12
3	washer M10 DIN9054
4	nut M10 DIN985
5	nut cover cap M12

UNLESS OTHERWISE SPECIFIED:
 DIMENSIONS ARE IN MILLIMETERS
 WEIGHT ARE IN KILOGRAMM

	NAME	SIGNATURE	DATE	REVISION
DRAWN	M.Rebase		25.01.2018	
APPV'D				

PART NUMBER / DWG NO.:
TKR001-4

DESCRIPTION:
**Balance track 4
 connecting platform to post**



MATERIAL:	wood, metal, plastic	A4
WEIGHT:	SCALE: 1:14	SHEET 9 OF 12

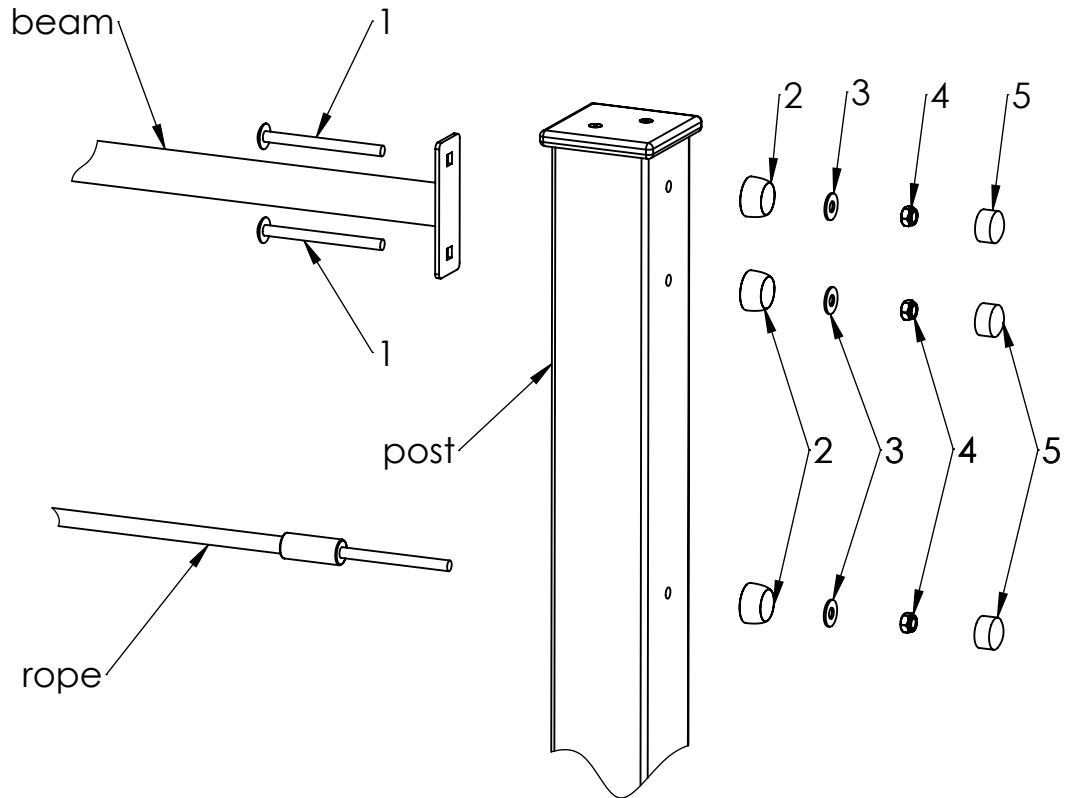
A

B

C

D

E



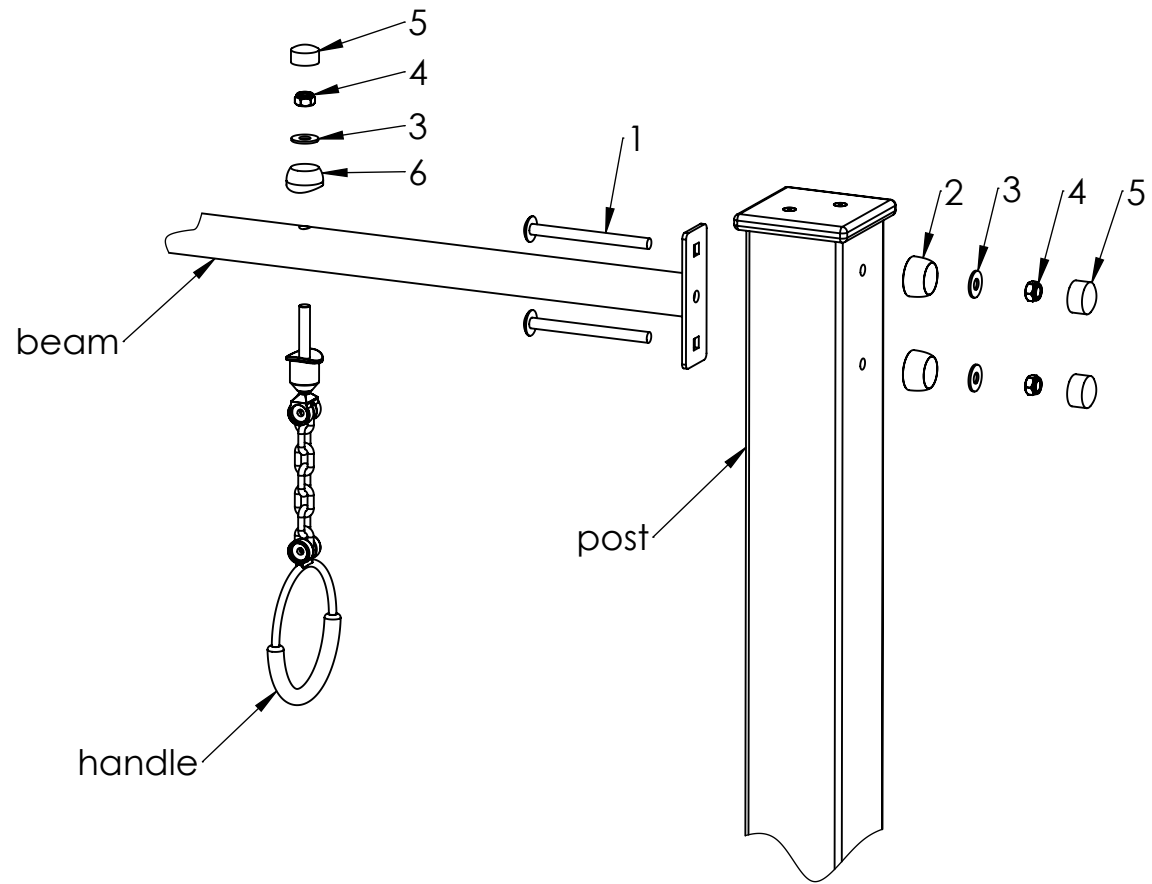
ITEM NO.	PART NUMBER
1	bolt M10x120 DIN603
2	nut cover M12
3	washer M10 DIN9054
4	nut M10 DIN985
5	nut cover cap M12

UNLESS OTHERWISE SPECIFIED: DIMENSIONS ARE IN MILLIMETERS WEIGHT ARE IN KILOGRAMM				
	NAME	SIGNATURE	DATE	REVISION
DRAWN	M.Rebase		25.01.2018	
APPV'D				

PART NUMBER / DWG NO.:	TKR001-4
DESCRIPTION:	Balance track 4



MATERIAL:	wood, metal, plastic	A4
WEIGHT:	SCALE: 1:7	SHEET 10 OF 12



ITEM NO.	PART NUMBER
1	bolt M10x120 DIN603
2	nut cover M12
3	washer M10 DIN9054
4	nut M10 DIN985
5	nut cover cap M12
6	nut cover M12 for beam

UNLESS OTHERWISE SPECIFIED:
DIMENSIONS ARE IN MILLIMETERS
WEIGHT ARE IN KILOGRAMM

	NAME	SIGNATURE	DATE	REVISION
DRAWN	M.Rebase		25.01.2018	
APPV'D				

PART NUMBER / DWG NO.:

TKR001-4

DESCRIPTION:

Balance track 4
connecting handles to beam

MATERIAL:

wood, metal, plastic

A4

WEIGHT:

SCALE: 1:7

SHEET 11 OF 12

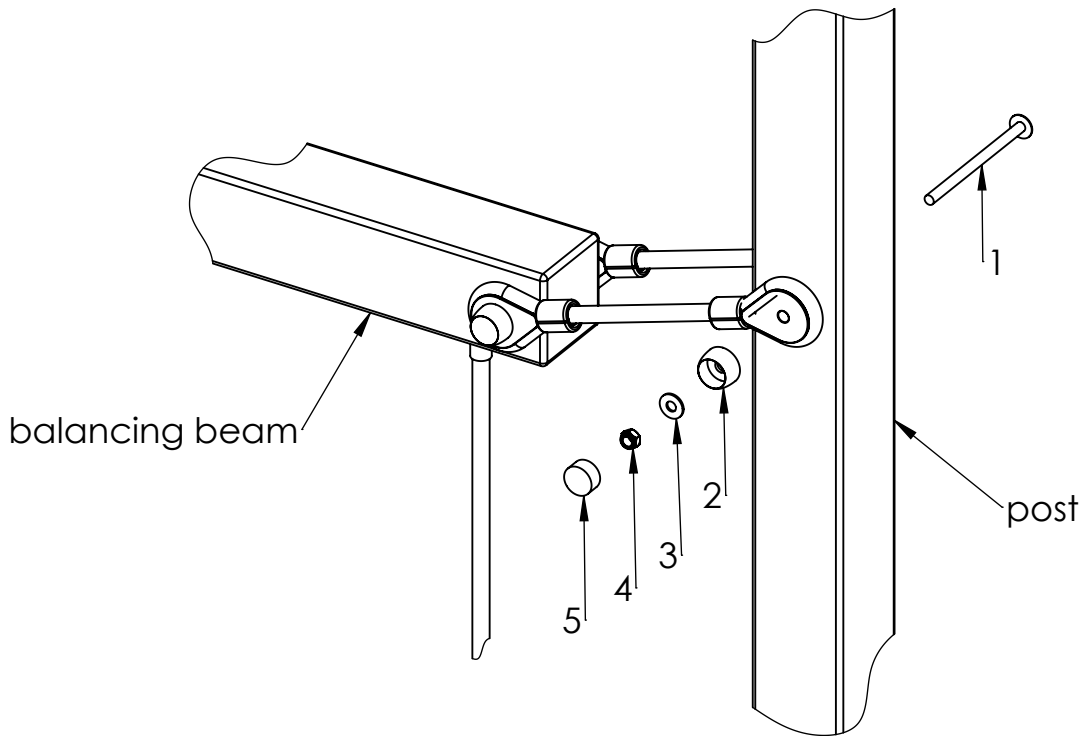
A

B

C

D

E



ITEM NO.	PART NUMBER
1	bolt M10x160 DIN603
2	nut cover M12
3	washer M10 DIN9054
4	nut M10 DIN985
5	nut cover cap M12

UNLESS OTHERWISE SPECIFIED:
 DIMENSIONS ARE IN MILLIMETERS
 WEIGHT ARE IN KILOGRAMM

PART NUMBER / DWG NO.:	TKR001-4
------------------------	----------

	NAME	SIGNATURE	DATE	REVISION
DRAWN	M.Rebase		25.01.2018	
APPV'D				

DESCRIPTION:	Balance track 4 connecting balancing beam to post
--------------	--



MATERIAL:	wood, metal, plastic	A4
WEIGHT:	SCALE: 1:7	SHEET 12 OF 12