

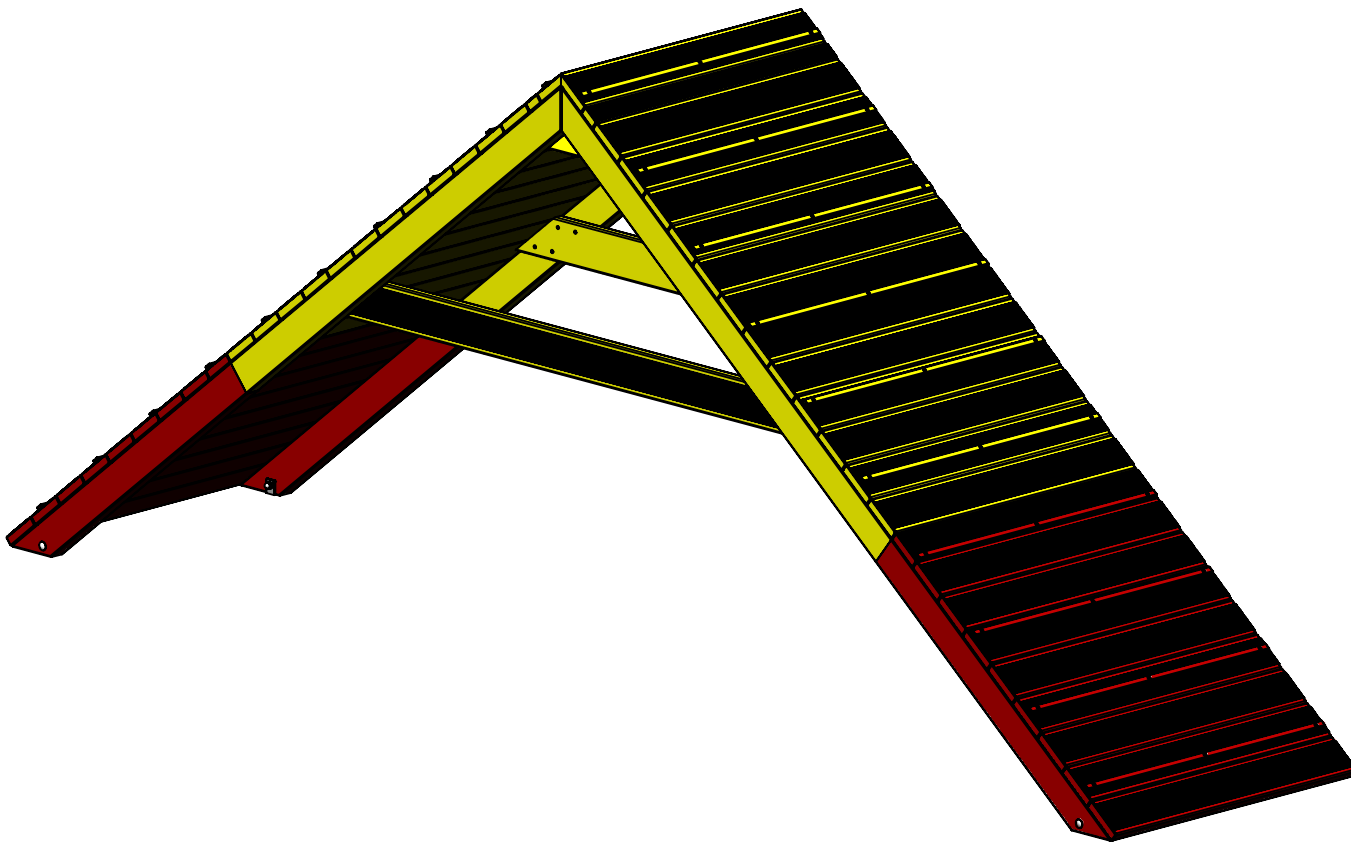
A

B

C

D

E



UNLESS OTHERWISE SPECIFIED:  
 DIMENSIONS ARE IN MILLIMETERS  
 WEIGHT ARE IN KILOGRAMM

PART NUMBER / DWG NO.:

AT001

	NAME	SIGNATURE	DATE	REVISION
DRAWN	I.Agar		20.05.2022	
APPV'D				

DESCRIPTION:

Agility A-slope

MATERIAL:

wood, metal, plastic

A4

WEIGHT:

SCALE: 1:20

SHEET 1 OF 4

# Foundation

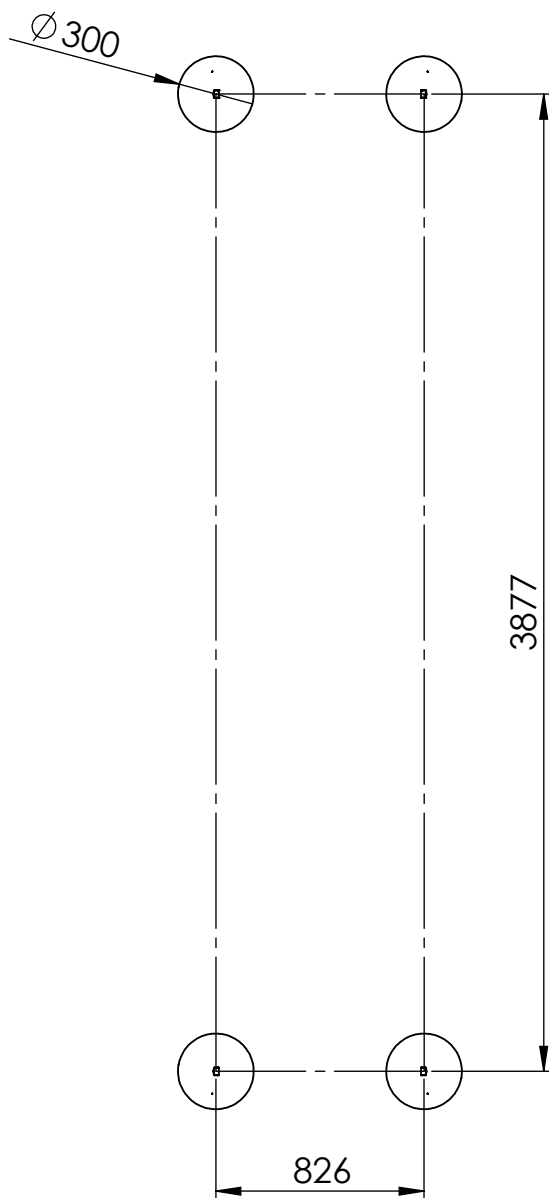
A

B

C

D

E



Depth of foundation: 650mm

UNLESS OTHERWISE SPECIFIED:  
DIMENSIONS ARE IN MILLIMETERS  
WEIGHT ARE IN KILOGRAMM

PART NUMBER / DWG NO.:

AT001

	NAME	SIGNATURE	DATE	REVISION
DRAWN	I.Agar		20.05.2022	
APPV'D				

DESCRIPTION:

Agility A-slope



MATERIAL:

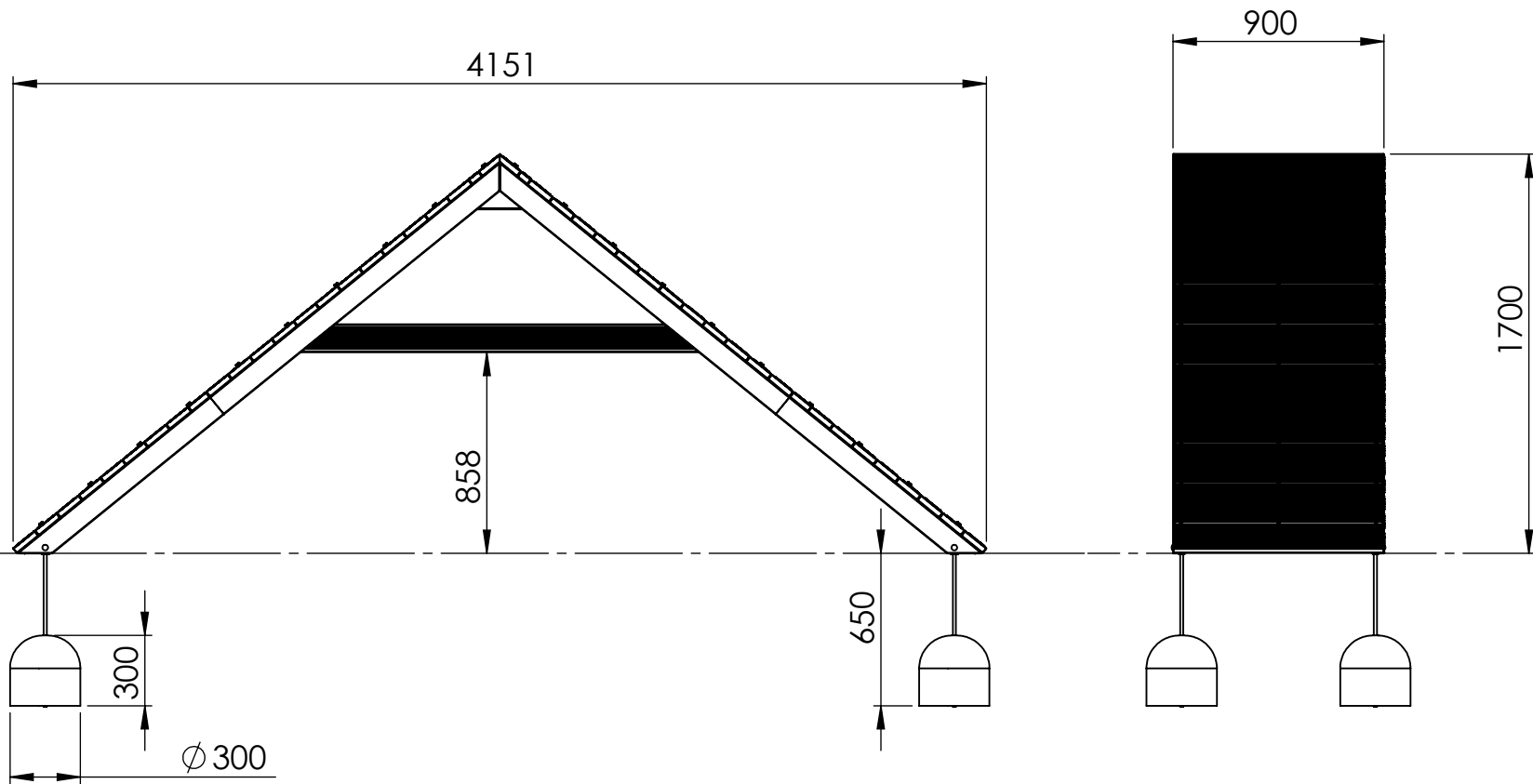
wood, metal, plastic

A4

WEIGHT:

SCALE: 1:30

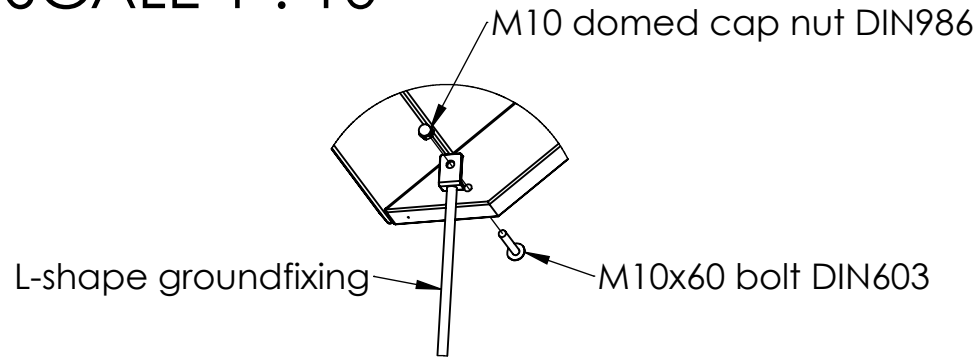
SHEET 2 OF 4



UNLESS OTHERWISE SPECIFIED: DIMENSIONS ARE IN MILLIMETERS WEIGHT ARE IN KILOGRAMM				
	NAME	SIGNATURE	DATE	REVISION
DRAWN	I.Agar		20.05.2022	
APPV'D				

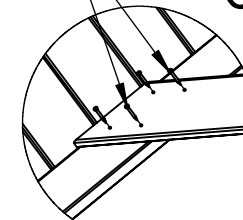
PART NUMBER / DWG NO.:		AT001	
DESCRIPTION:		Agility A-slope	
MATERIAL:		wood, metal, plastic	A4
WEIGHT:		SCALE: 1:30	SHEET 3 OF 4

# DETAIL A SCALE 1 : 10

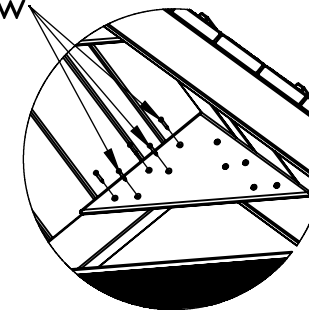


4,5 x 70 Woodscrew

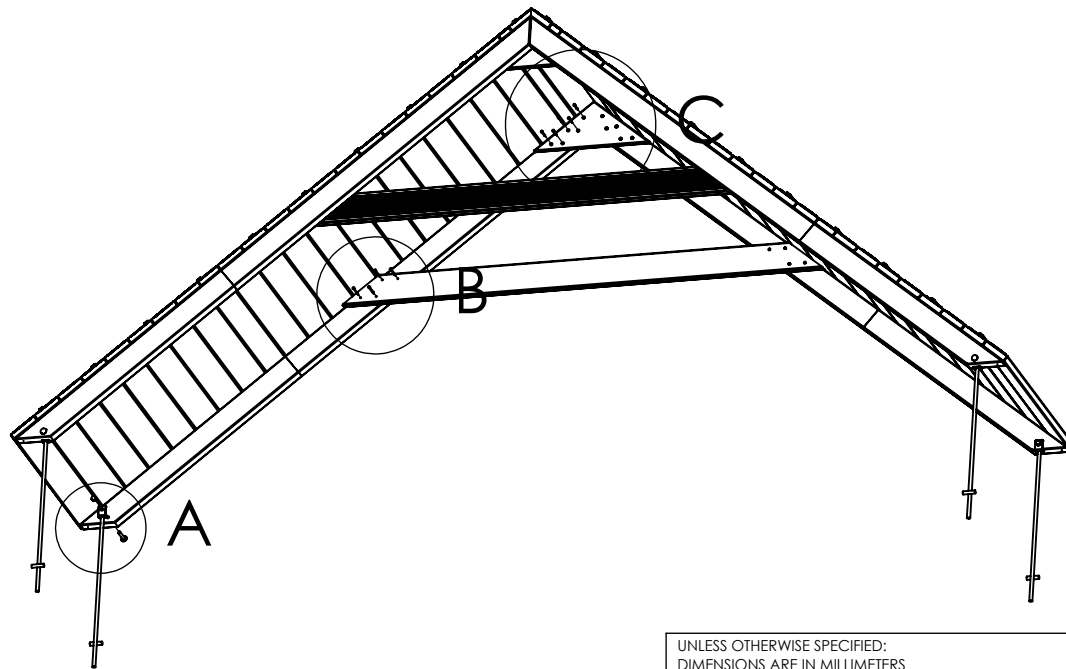
# DETAIL B SCALE 1 : 15



4,5 x 50 Woodscrew



# DETAIL C SCALE 1 : 15



UNLESS OTHERWISE SPECIFIED: DIMENSIONS ARE IN MILLIMETERS WEIGHT ARE IN KILOGRAMM				
	NAME	SIGNATURE	DATE	REVISION
DRAWN	I.Agar		20.05.2022	
APPV'D				

PART NUMBER / DWG NO.:	AT001	
------------------------	-------	--

DESCRIPTION:	Agility A-slope	
--------------	-----------------	--

MATERIAL:	wood, metal, plastic	A4
-----------	----------------------	----

WEIGHT:	SCALE: 1:30	SHEET 4 OF 4
---------	-------------	--------------