

1

2

3

4

A

B

C

D

E

3098

2600

5600

98

UNLESS OTHERWISE SPECIFIED:  
DIMENSIONS ARE IN MILLIMETERS  
WEIGHT ARE IN KILOGRAMM

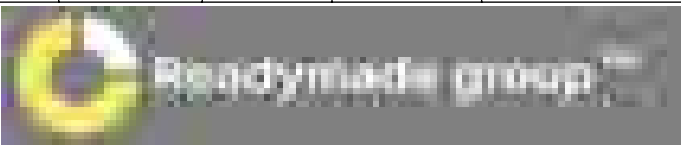
PART NUMBER / DWG NO.:

PLP11

|        | NAME | SIGNATURE | DATE       | REVISION |
|--------|------|-----------|------------|----------|
| DRAWN  |      |           | 17.05.2012 |          |
| APPV'D |      |           |            |          |

DESCRIPTION:

Beam



MATERIAL:

wood, metal

A4

WEIGHT:

SCALE: 1:30

SHEET 2 OF 5

F

A

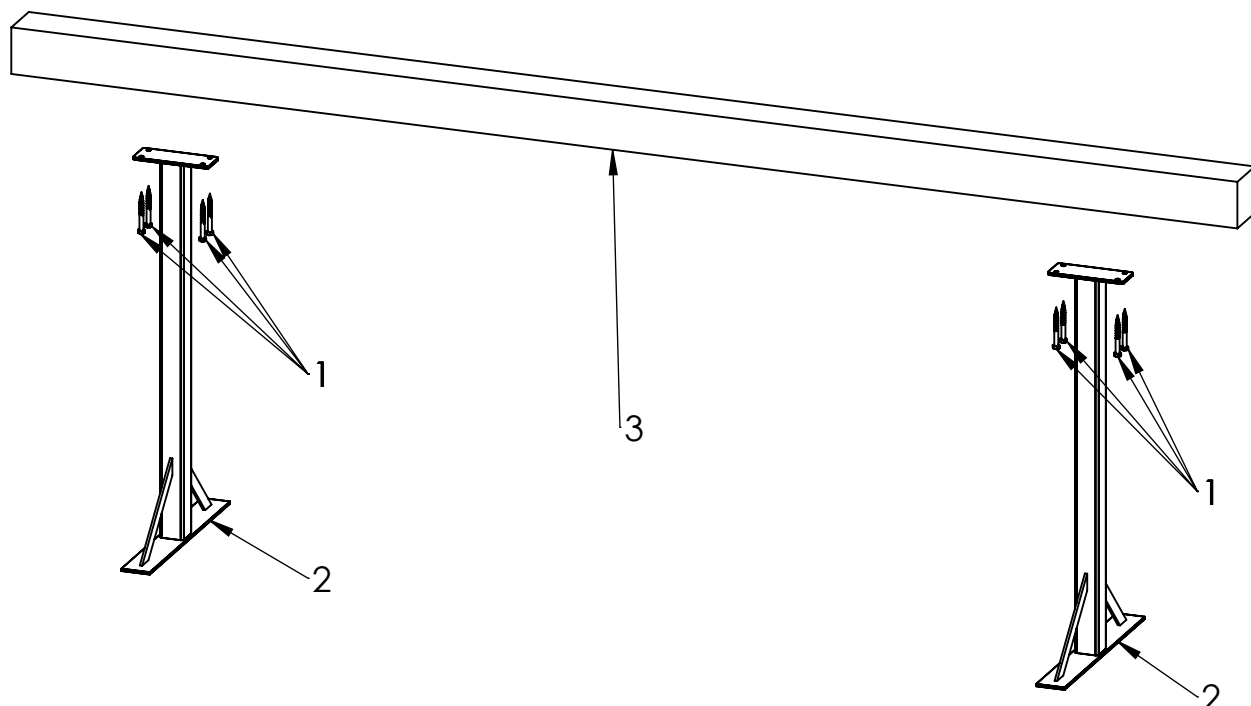
B

C

D

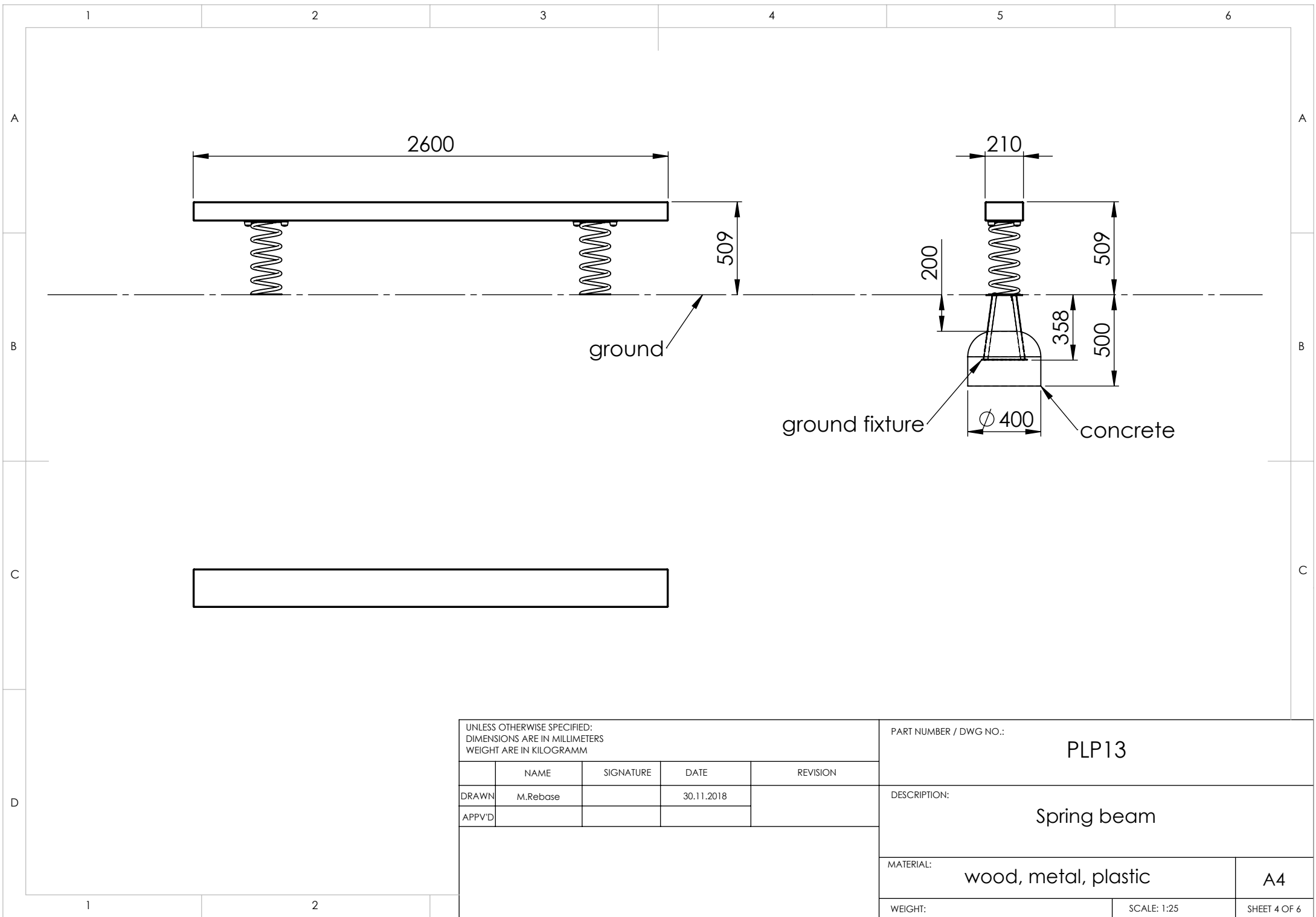
E

F



| ITEM NO. | PART NUMBER            | DESCRIPTION      | QTY. |
|----------|------------------------|------------------|------|
| 1        | wood screw DIN571 8x80 | galvanized steel | 8    |
| 2        | support leg            | galvanized steel | 2    |
| 3        | post 98x98x2600        | laminated wood   | 1    |

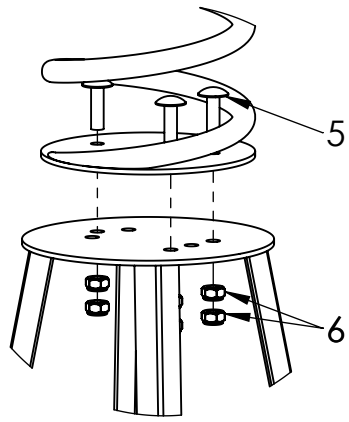
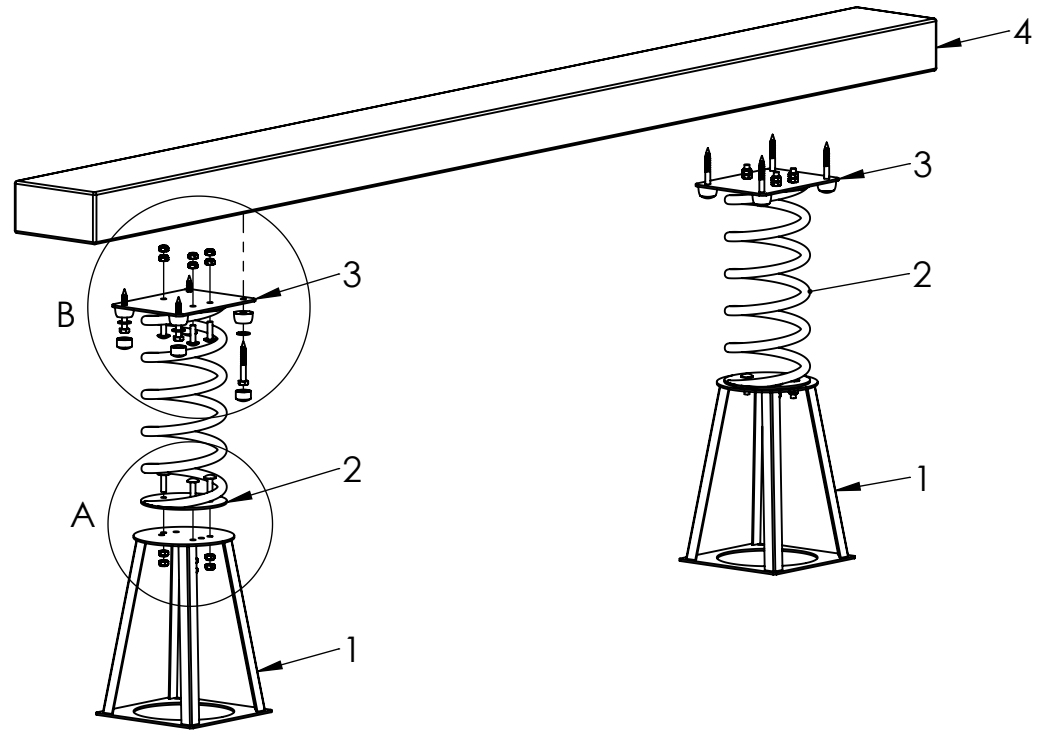
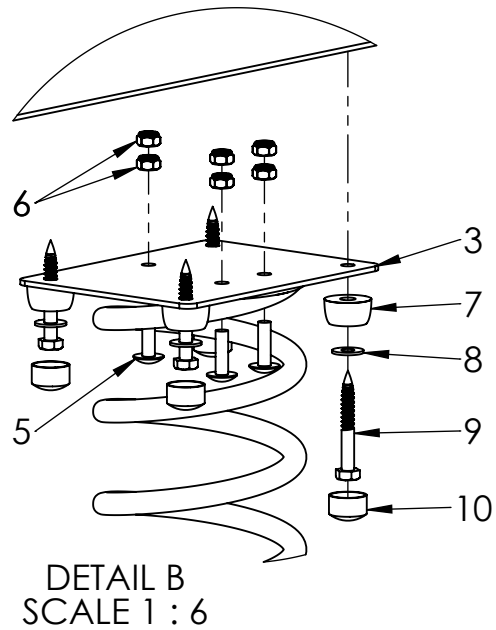
|   |      |           |             |                        |             |
|---|------|-----------|-------------|------------------------|-------------|
| UNLESS OTHERWISE SPECIFIED:<br>DIMENSIONS ARE IN MILLIMETERS<br>WEIGHT ARE IN KILOGRAMM |      |           |             | PART NUMBER / DWG NO.: |             |
|   |      |           |             | PLP11                  |             |
|   | NAME | SIGNATURE | DATE        | REVISION               |             |
| DRAWN   |      |           | 17.05.2012  |                        |             |
| APPV'D  |      |           |             |                        |             |
| Tipti tap OÜ<br>Veetorni 9,<br>Jüri alevik, Rae vald,<br>75301 Harjumaa                 |      |           |             | DESCRIPTION:           |             |
|   |      |           |             | Beam                   |             |
|   |      |           |             | MATERIAL:              | wood, metal |
| WEIGHT:   |      |           | SCALE: 1:15 | SHEET 5 OF 5           |             |



UNLESS OTHERWISE SPECIFIED:  
 DIMENSIONS ARE IN MILLIMETERS  
 WEIGHT ARE IN KILOGRAMM

|        | NAME     | SIGNATURE | DATE       | REVISION |
|--------|----------|-----------|------------|----------|
| DRAWN  | M.Rebase |           | 30.11.2018 |          |
| APPV'D |          |           |            |          |

|                        |                      |             |              |
|------------------------|----------------------|-------------|--------------|
| PART NUMBER / DWG NO.: |                      | PLP13       |              |
| DESCRIPTION:           |                      | Spring beam |              |
| MATERIAL:              | wood, metal, plastic | A4          |              |
| WEIGHT:                |                      | SCALE: 1:25 | SHEET 4 OF 6 |



UNLESS OTHERWISE SPECIFIED:  
DIMENSIONS ARE IN MILLIMETERS  
WEIGHT ARE IN KILOGRAMM

|        | NAME     | SIGNATURE | DATE       | REVISION |
|--------|----------|-----------|------------|----------|
| DRAWN  | M.Rebase |           | 30.11.2018 |          |
| APPV'D |          |           |            |          |

|                        |                      |             |              |
|------------------------|----------------------|-------------|--------------|
| PART NUMBER / DWG NO.: |                      | PLP13       |              |
| DESCRIPTION:           |                      | Spring beam |              |
| MATERIAL:              | wood, metal, plastic | A4          |              |
| WEIGHT:                |                      | SCALE: 1:15 | SHEET 5 OF 6 |

Safety area

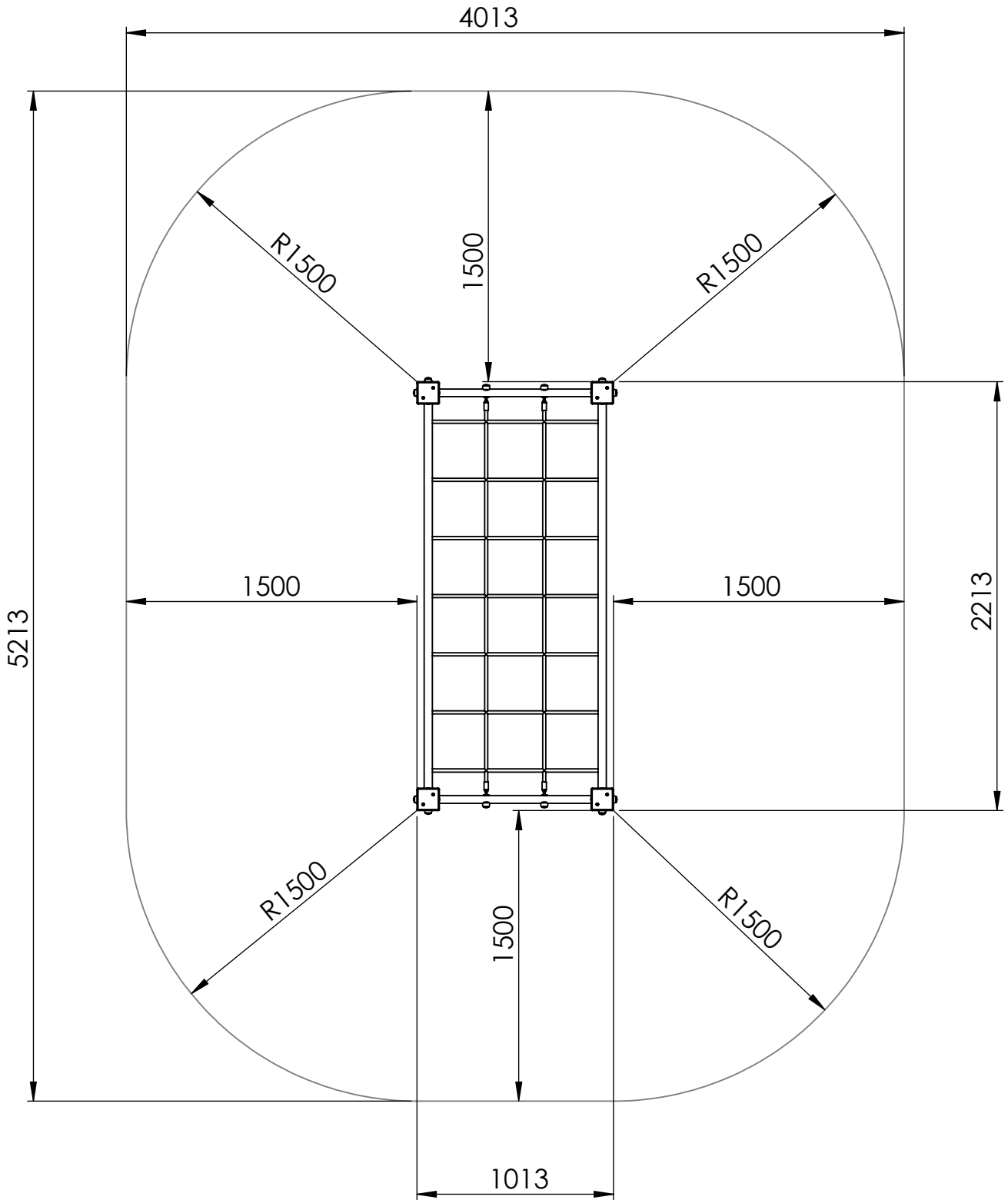
A

B

C

D

E



UNLESS OTHERWISE SPECIFIED:  
 DIMENSIONS ARE IN MILLIMETERS  
 WEIGHT ARE IN KILOGRAMM

Product code:

TKR504

NAME

SIGNATURE

DATE

DRAWN

I.Agar

4/9/2025

DESCRIPTION:

Balance track part 4

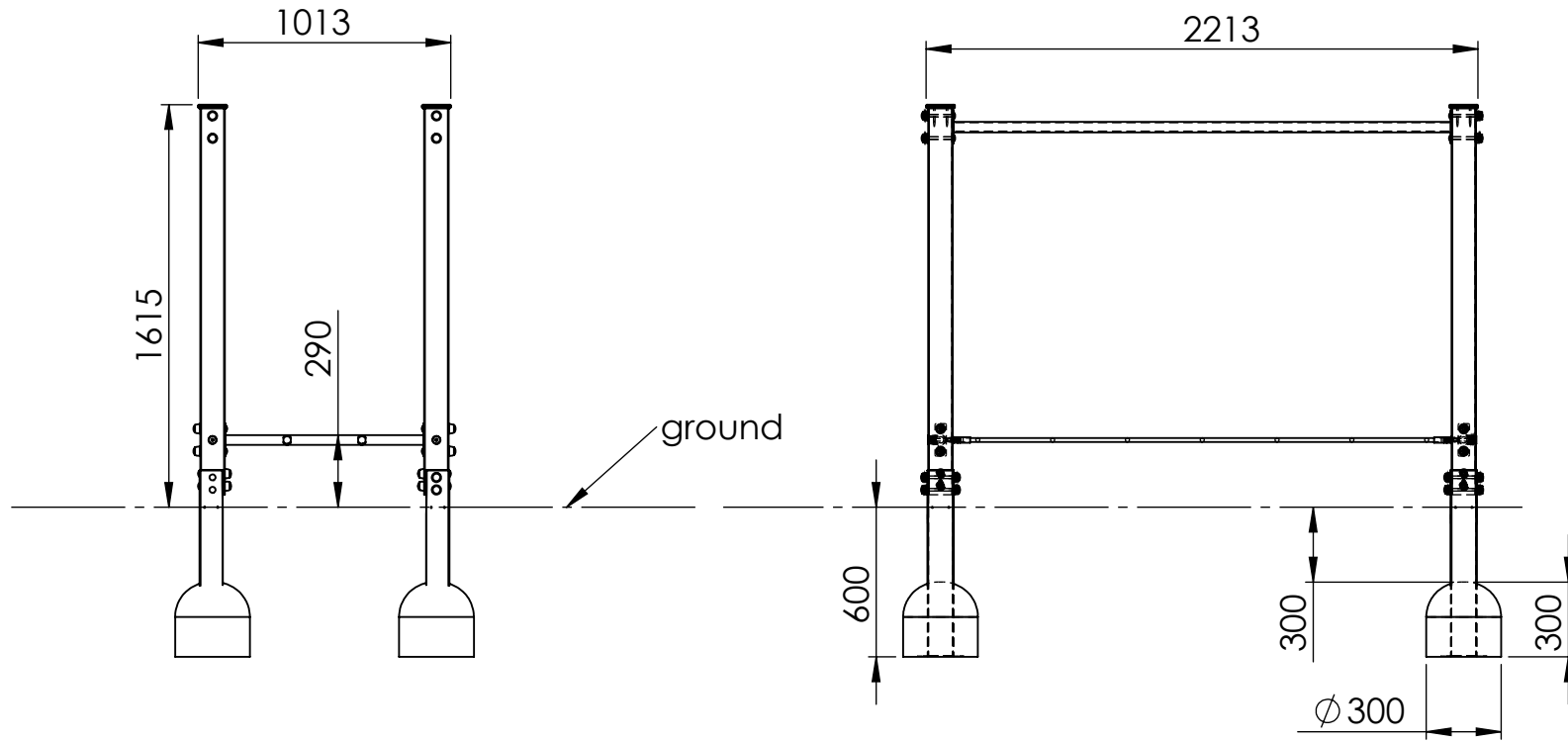
F

A4

WEIGHT:

SCALE: 1:30

SHEET 2 OF 7



UNLESS OTHERWISE SPECIFIED:  
 DIMENSIONS ARE IN MILLIMETERS  
 WEIGHT ARE IN KILOGRAMM

Product code: **TKR504**

|       | NAME   | SIGNATURE | DATE     |
|-------|--------|-----------|----------|
| DRAWN | I.Agar |           | 4/9/2025 |

DESCRIPTION: **Balance track part 4**

**A4**

WEIGHT: SCALE: 1:30 SHEET 4 OF 7

A

B

C

D

E

6x60 woodscrew

Post cap

M10x120 bolt DIN603

M10x120 bolt DIN603

M12 Nut cover cap

M10 Nut DIN985

M10 Washer DIN9054

M12 Nut cover

M12 Nut cover cap

M10 Nut DIN985

M10 Washer DIN9054

M12 Nut cover

U-profile groundfixing 750mm

UNLESS OTHERWISE SPECIFIED:  
DIMENSIONS ARE IN MILLIMETERS  
WEIGHT ARE IN KILOGRAMM

Product code:

TKR504

NAME

SIGNATURE

DATE

DRAWN

I.Agar

4/9/2025

DESCRIPTION:

Balance track part 4

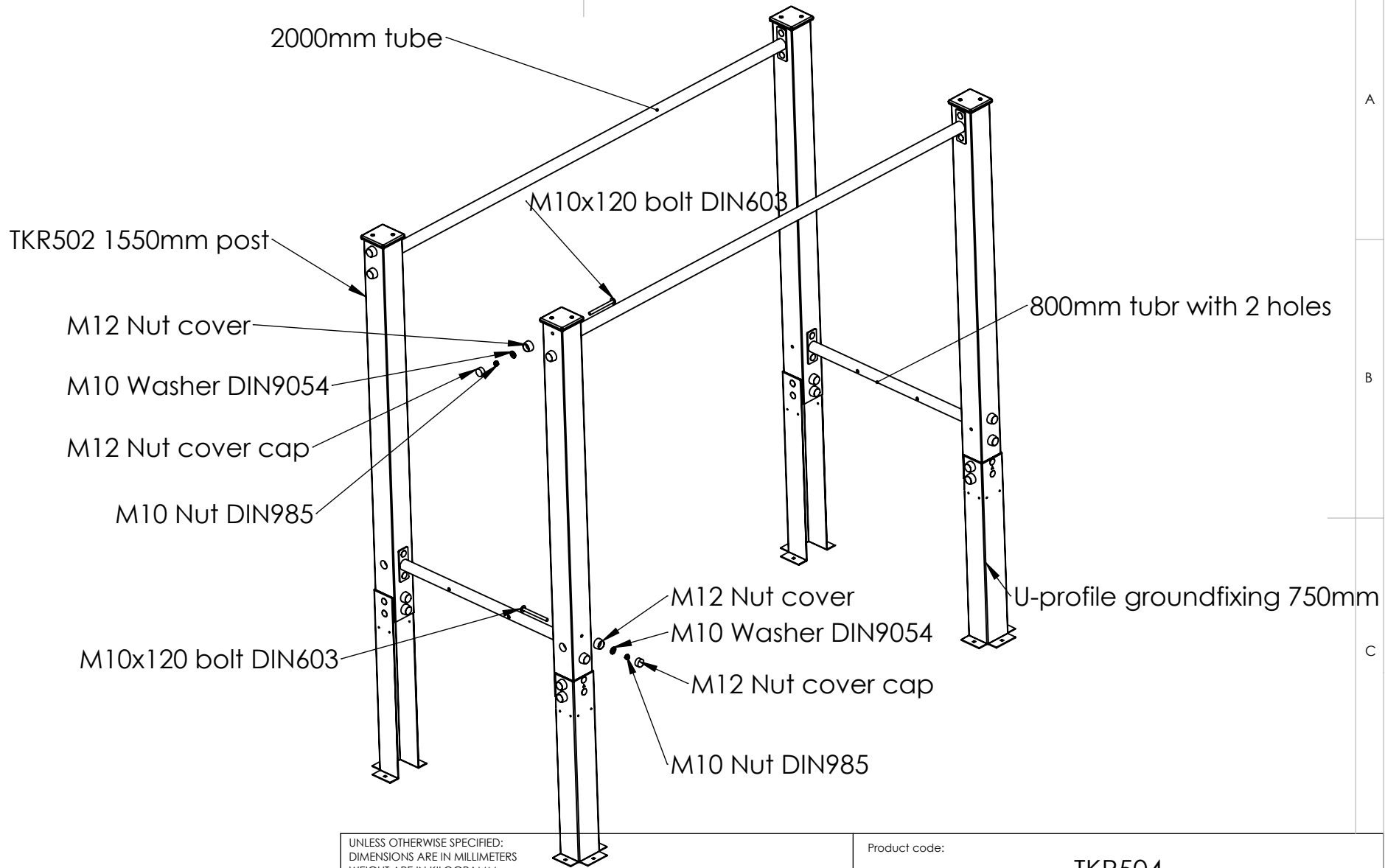
F

A4

WEIGHT:

SCALE: 1:5

SHEET 5 OF 7



UNLESS OTHERWISE SPECIFIED:  
 DIMENSIONS ARE IN MILLIMETERS  
 WEIGHT ARE IN KILOGRAMM

Product code: **TKR504**

|       | NAME   | SIGNATURE | DATE     |
|-------|--------|-----------|----------|
| DRAWN | I.Agar |           | 4/9/2025 |

DESCRIPTION: **Balance track part 4**

WEIGHT: SCALE: 1:20 SHEET 6 OF 7

1 2 3 4 5 6

A

A

B

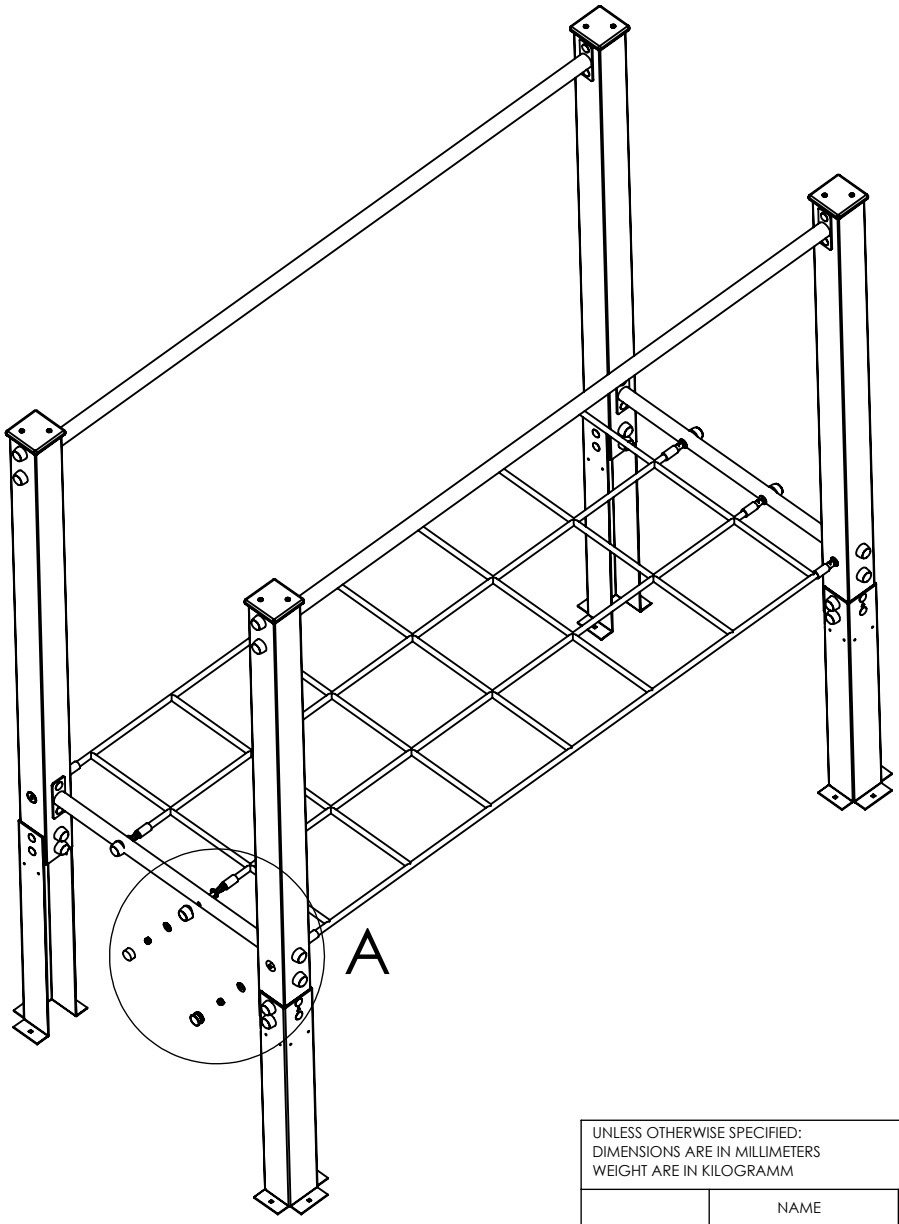
B

C

C

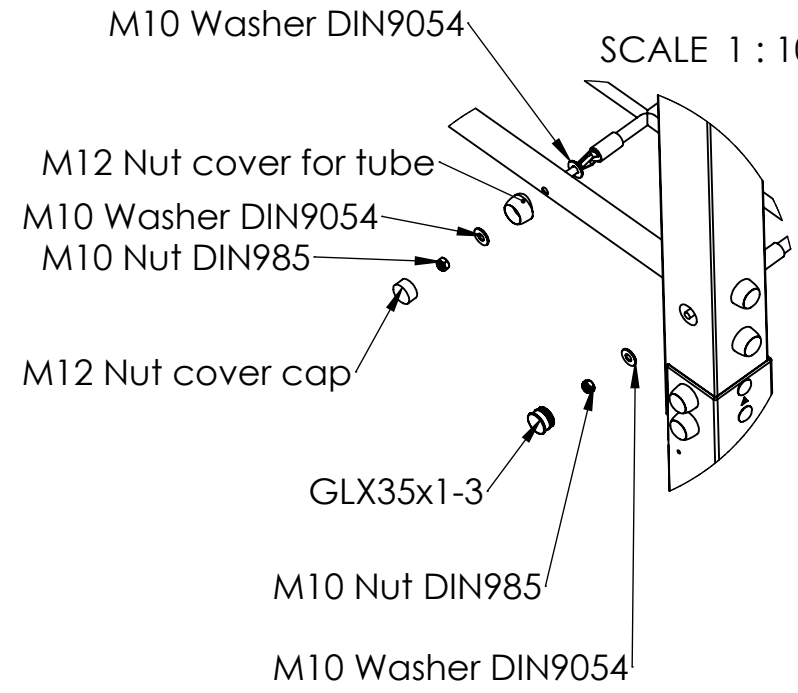
D

D



### DETAIL A

SCALE 1 : 10



UNLESS OTHERWISE SPECIFIED:  
DIMENSIONS ARE IN MILLIMETERS  
WEIGHT ARE IN KILOGRAMM

|       | NAME   | SIGNATURE | DATE     |
|-------|--------|-----------|----------|
| DRAWN | I.Agar |           | 4/9/2025 |

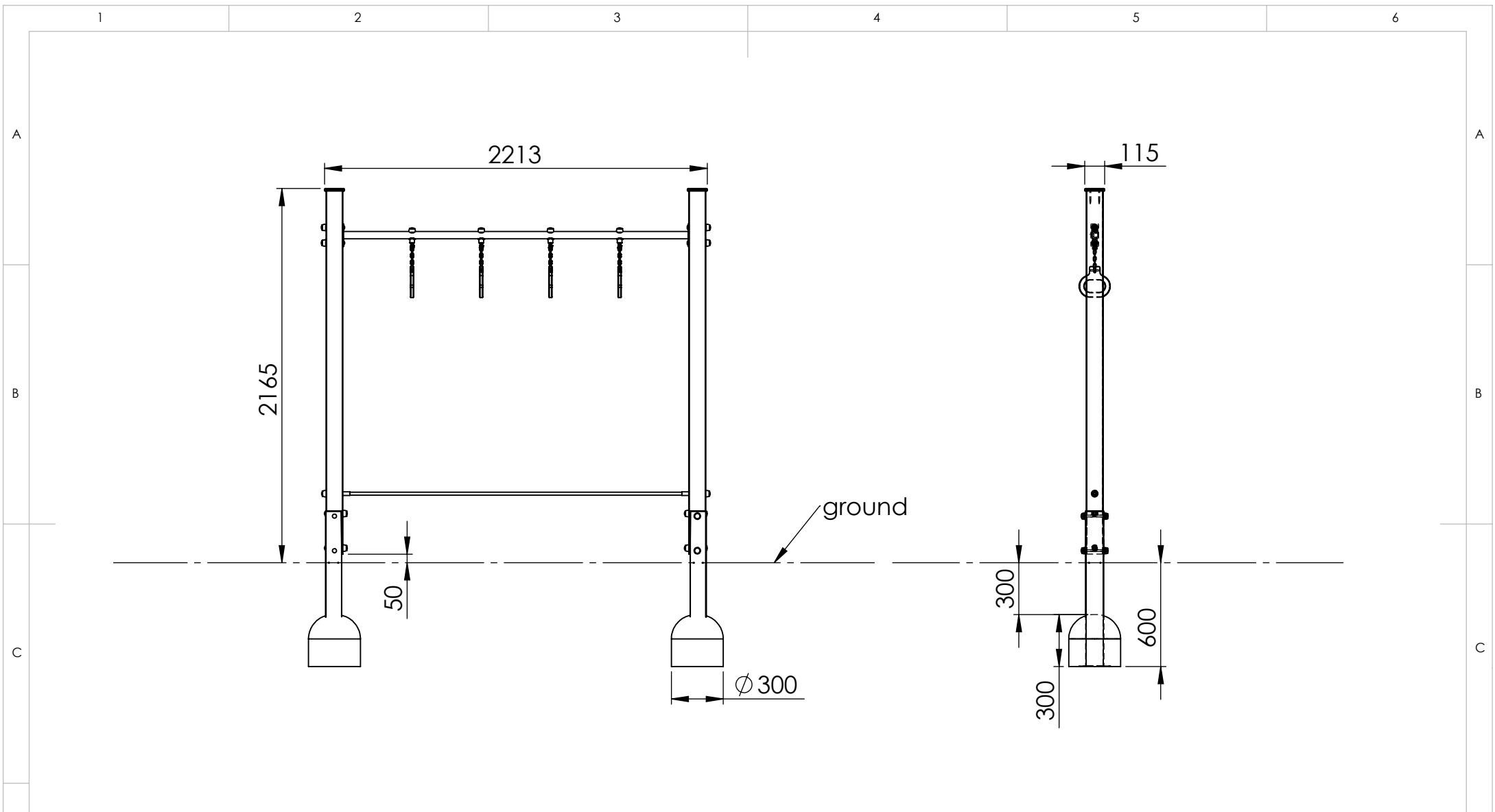
Product code: **TKR504**

DESCRIPTION: **Balance track part 4**

**A4**

WEIGHT: SCALE: 1:20 SHEET 7 OF 7

1 2



|   |        |           |            |          |   |                             |
|---|--------|-----------|------------|----------|---|-----------------------------|
| UNLESS OTHERWISE SPECIFIED:<br>DIMENSIONS ARE IN MILLIMETERS<br>WEIGHT ARE IN KILOGRAMM |        |           |            |          | PART NUMBER / DWG NO.:<br><b>TKR508</b>     |                             |
|   | NAME   | SIGNATURE | DATE       | REVISION | DESCRIPTION:<br><b>Balance track part 8</b> |                             |
| DRAWN   | I.Agar |           | 04.04.2023 |          |   |                             |
| APPV'D  |        |           |            |          |   |                             |
|   |        |           |            |          | MATERIAL:                                   | <b>wood, metal, plastic</b> |
|   |        |           |            |          | WEIGHT:                                     |                             |
|   |        |           |            |          | SCALE:                                      | 1:30                        |
|   |        |           |            |          | SHEET 4 OF 6                                |                             |

A

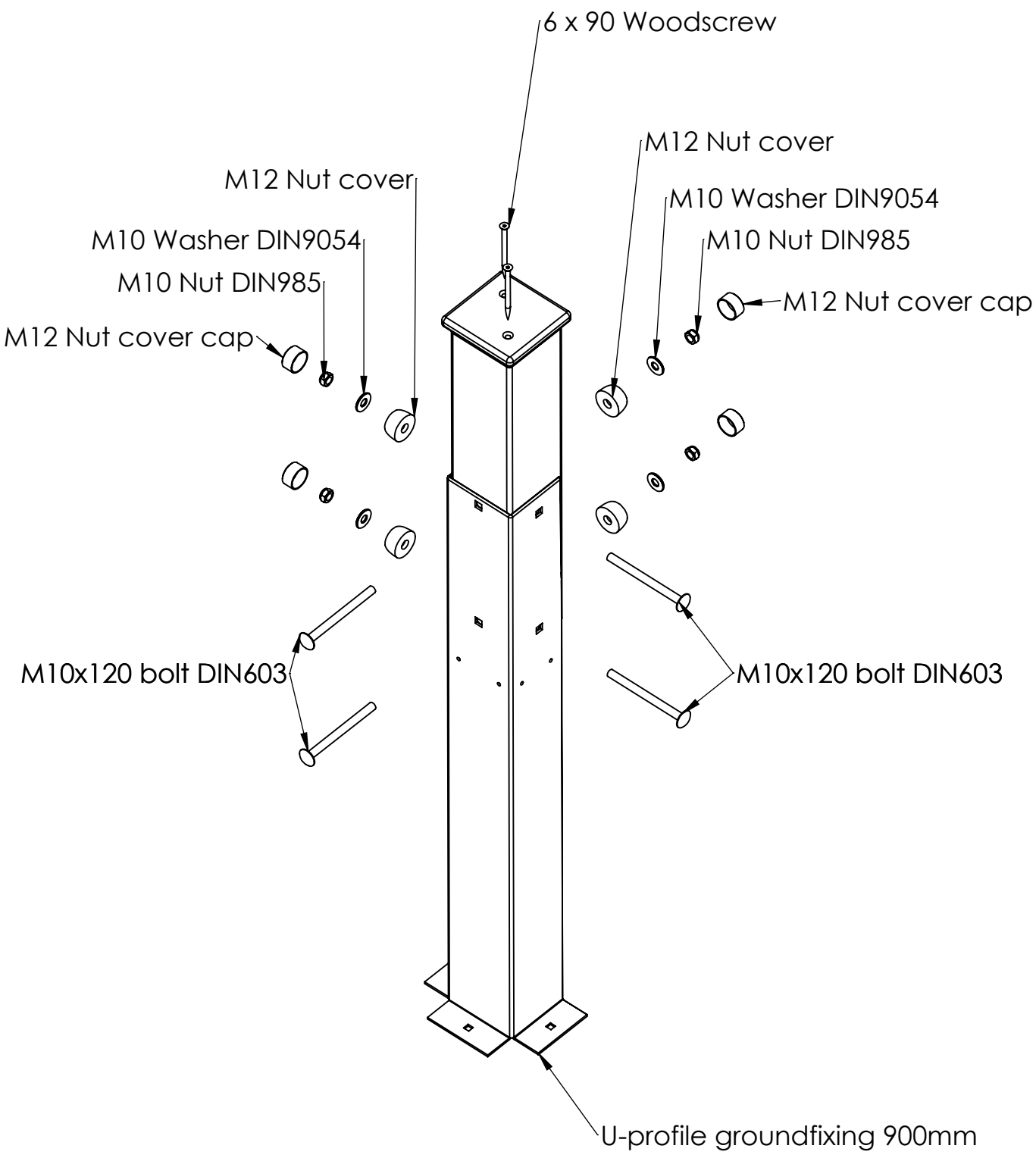
B

C

D

E

F



UNLESS OTHERWISE SPECIFIED:  
DIMENSIONS ARE IN MILLIMETERS  
WEIGHT ARE IN KILOGRAMM

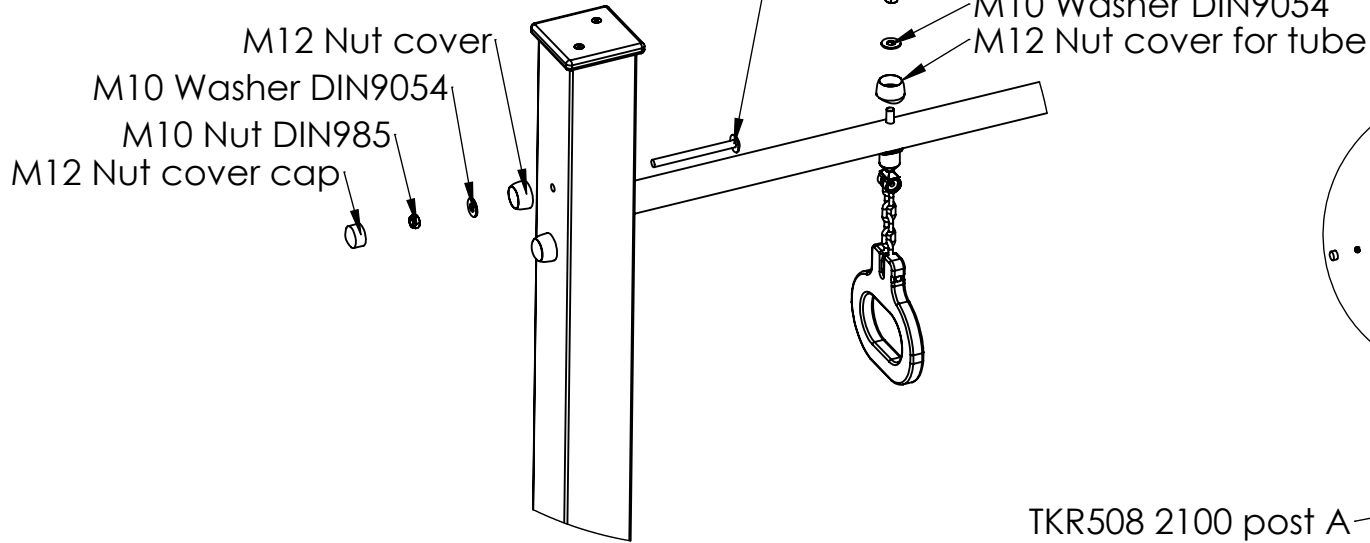
|        | NAME   | SIGNATURE | DATE       | REVISION |
|--------|--------|-----------|------------|----------|
| DRAWN  | I.Agar |           | 04.04.2023 |          |
| APPV'D |        |           |            |          |

|                        |                      |
|------------------------|----------------------|
| PART NUMBER / DWG NO.: | TKR508               |
| DESCRIPTION:           | Balance track part 8 |

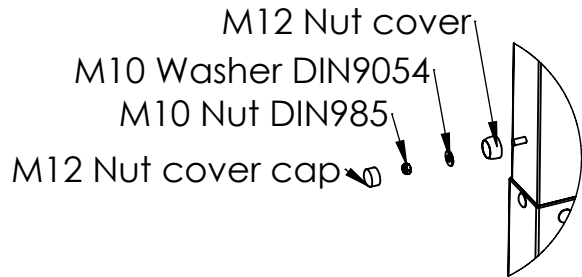
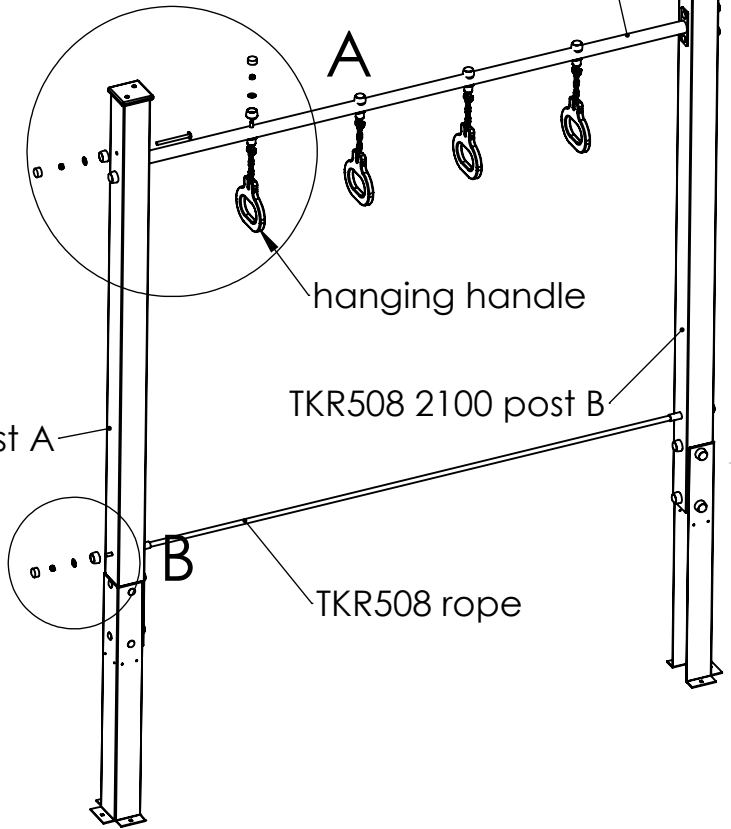
|           |                      |              |
|-----------|----------------------|--------------|
| MATERIAL: | wood, metal, plastic | A4           |
| WEIGHT:   |                      | SHEET 5 OF 6 |
|           | SCALE: 1:7           |              |

# DETAIL A

SCALE 1 : 10



2000mm tube, 4 holes



# DETAIL B

SCALE 2 : 25

UNLESS OTHERWISE SPECIFIED:  
DIMENSIONS ARE IN MILLIMETERS  
WEIGHT ARE IN KILOGRAMM

|        | NAME   | SIGNATURE | DATE       | REVISION |
|--------|--------|-----------|------------|----------|
| DRAWN  | I.Agar |           | 04.04.2023 |          |
| APPV'D |        |           |            |          |

PART NUMBER / DWG NO.:

TKR508

DESCRIPTION:

Balance track part 8

MATERIAL:

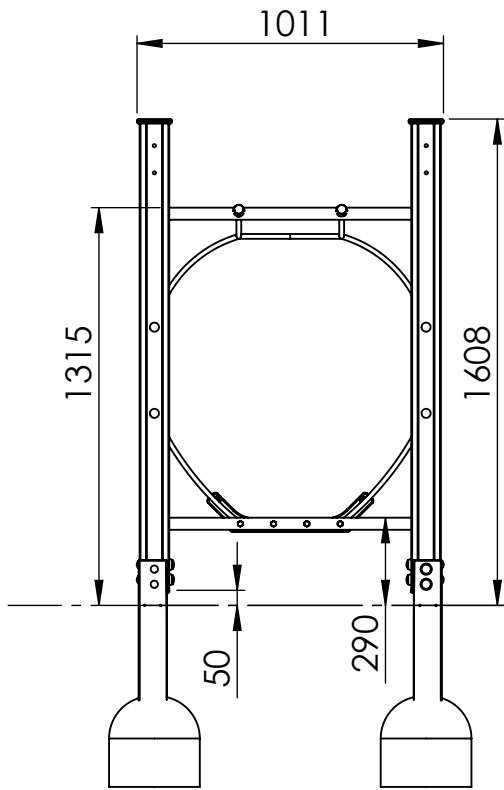
wood, metal, plastic

A4

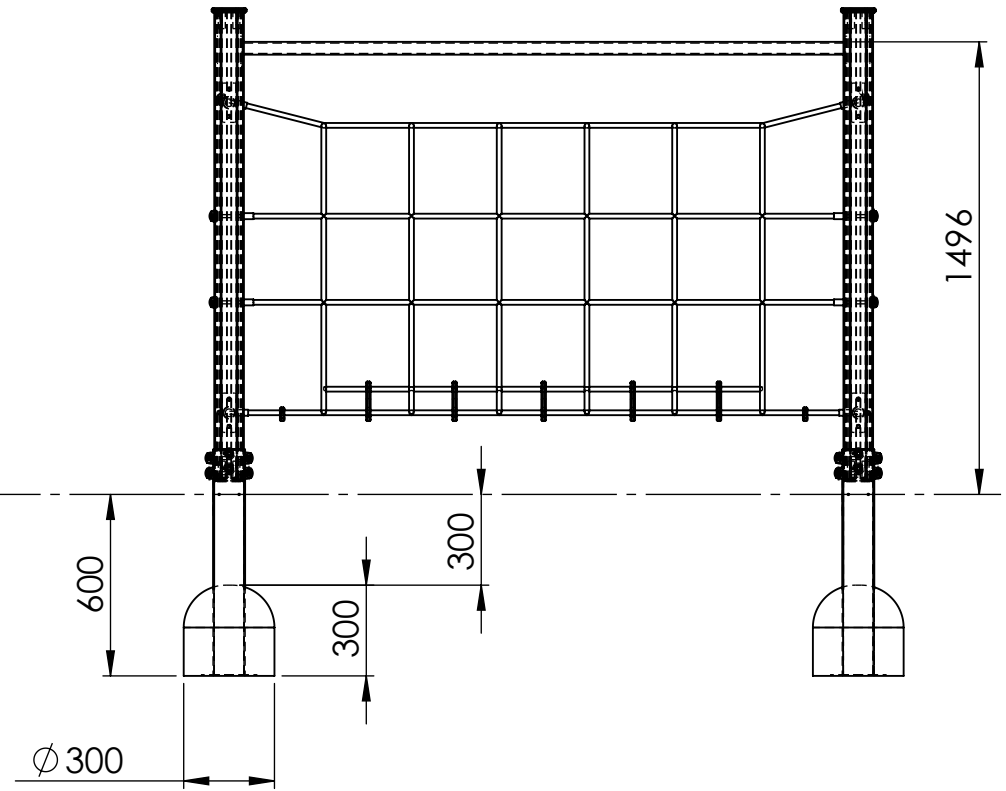
WEIGHT:

SCALE: 1:25

SHEET 6 OF 6



Ground



UNLESS OTHERWISE SPECIFIED:  
DIMENSIONS ARE IN MILLIMETERS  
WEIGHT ARE IN KILOGRAMM

|       | NAME     | SIGNATURE | DATE       |
|-------|----------|-----------|------------|
| DRAWN | K.Männik |           | 08/04/2025 |

Product code: **TKR514**

DESCRIPTION:  
**A tunnel with a net between the posts**

A4

WEIGHT: SCALE: 1:25 SHEET 4 OF 5

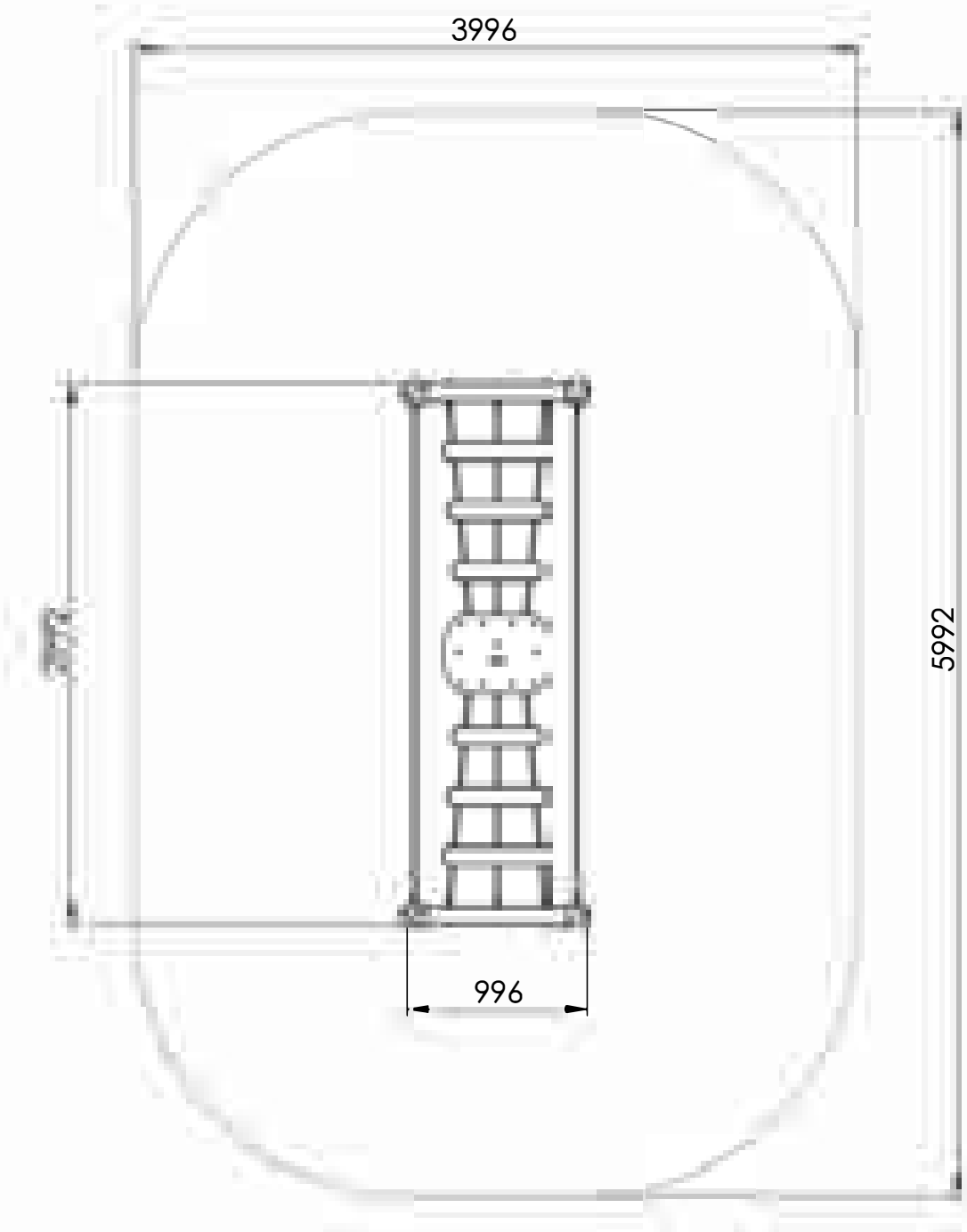
# safety area

A

B

C

D



safety area: 22 m<sup>2</sup>

UNLESS OTHERWISE SPECIFIED:  
DIMENSIONS ARE IN MILLIMETERS  
WEIGHT ARE IN KILOGRAMM

PART NUMBER / DWG NO.:

TKR515

|        | NAME       | SIGNATURE | DATE       | REVISION |
|--------|------------|-----------|------------|----------|
| DRAWN  | E.Reispere |           | 03.10.2024 |          |
| APPV'D |            |           |            |          |

DESCRIPTION:

Balance track with spring step

MATERIAL:

wood, metal, plastic

A4

WEIGHT:

SCALE: 1:10

SHEET 2 OF 16

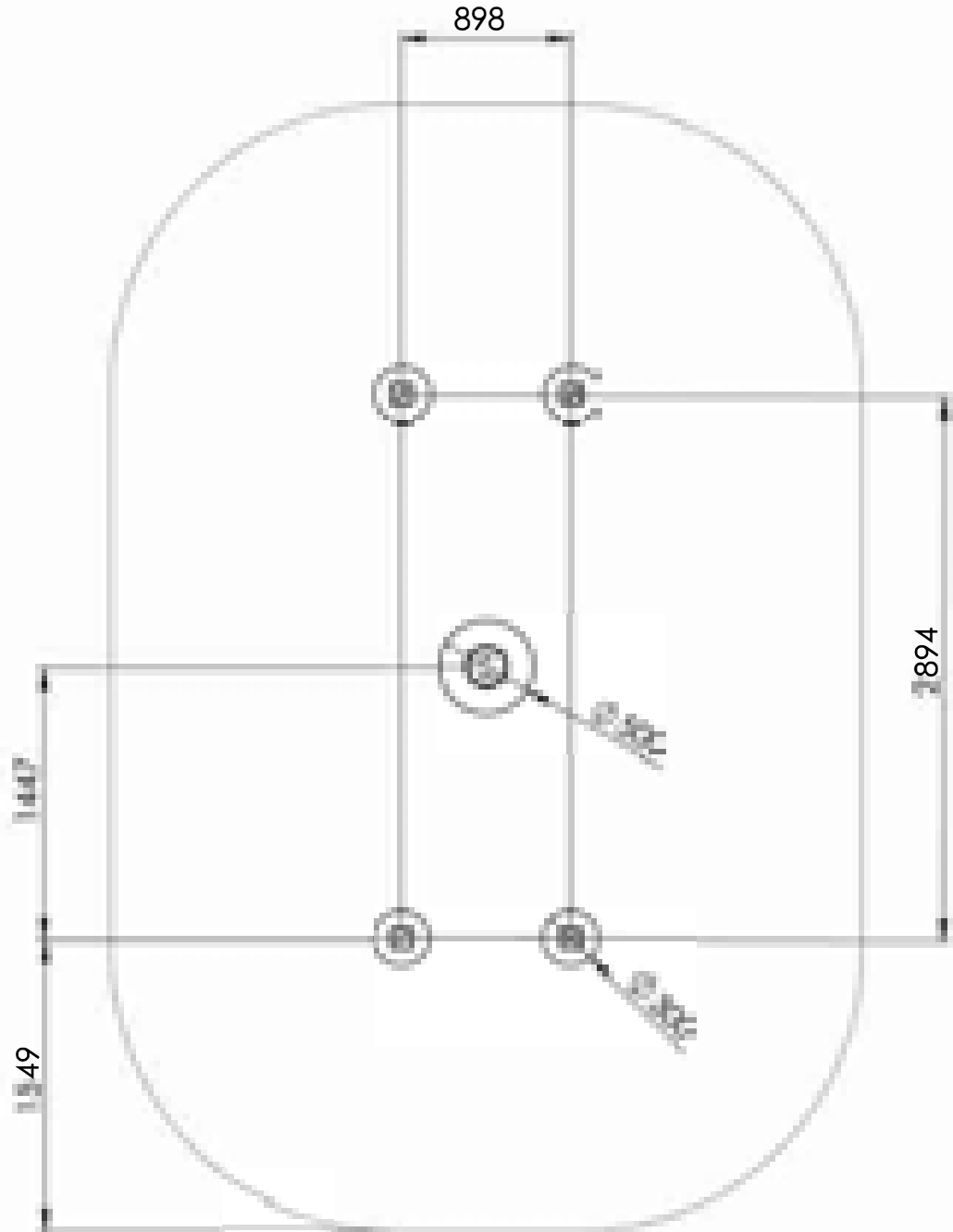
# foundation

A

B

C

D



UNLESS OTHERWISE SPECIFIED:  
 DIMENSIONS ARE IN MILLIMETERS  
 WEIGHT ARE IN KILOGRAMM

PART NUMBER / DWG NO.:

TKR515

|        | NAME       | SIGNATURE | DATE       | REVISION |
|--------|------------|-----------|------------|----------|
| DRAWN  | E.Reispere |           | 03.10.2024 |          |
| APPV'D |            |           |            |          |

DESCRIPTION:

Balance track with spring step

MATERIAL:

wood, metal, plastic

A4

WEIGHT:

SCALE: 1:10

SHEET 3 OF 16

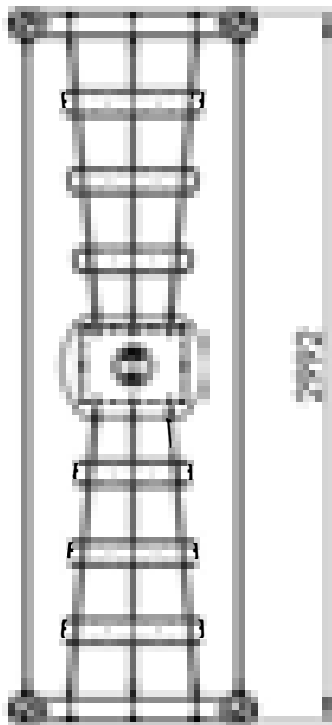
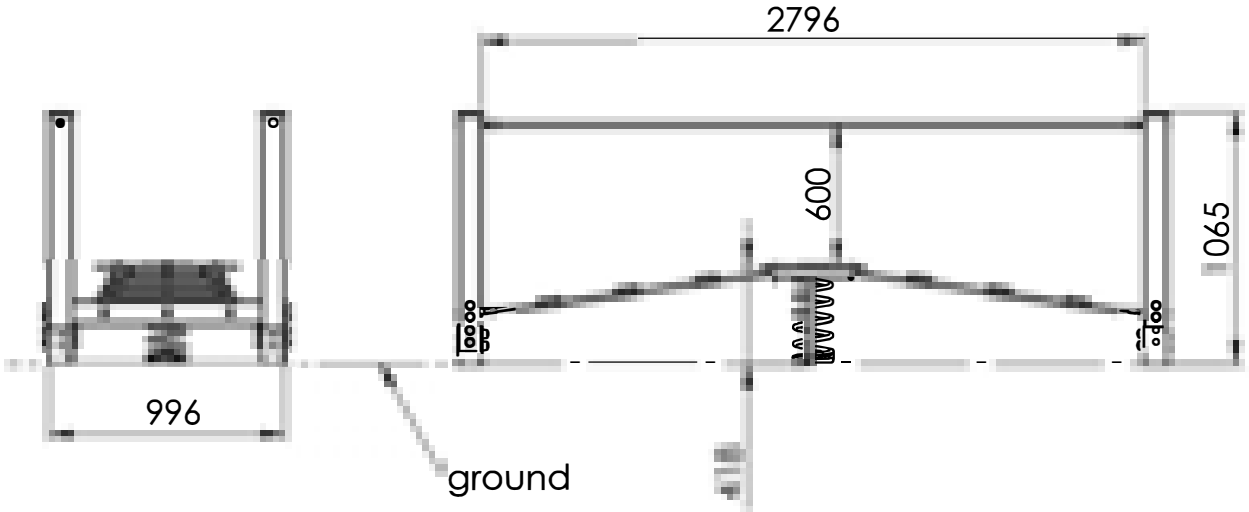
# dimensions

A

B

C

D



UNLESS OTHERWISE SPECIFIED:  
DIMENSIONS ARE IN MILLIMETERS  
WEIGHT ARE IN KILOGRAMM

PART NUMBER / DWG NO.:

TKR515

|       | NAME       | SIGNATURE | DATE       | REVISION |
|-------|------------|-----------|------------|----------|
| DRAWN | E.Reispere |           | 03.10.2024 |          |

DESCRIPTION:

Balance track with spring step

MATERIAL:

wood, metal, plastic

A4

WEIGHT:

SCALE: 1:10

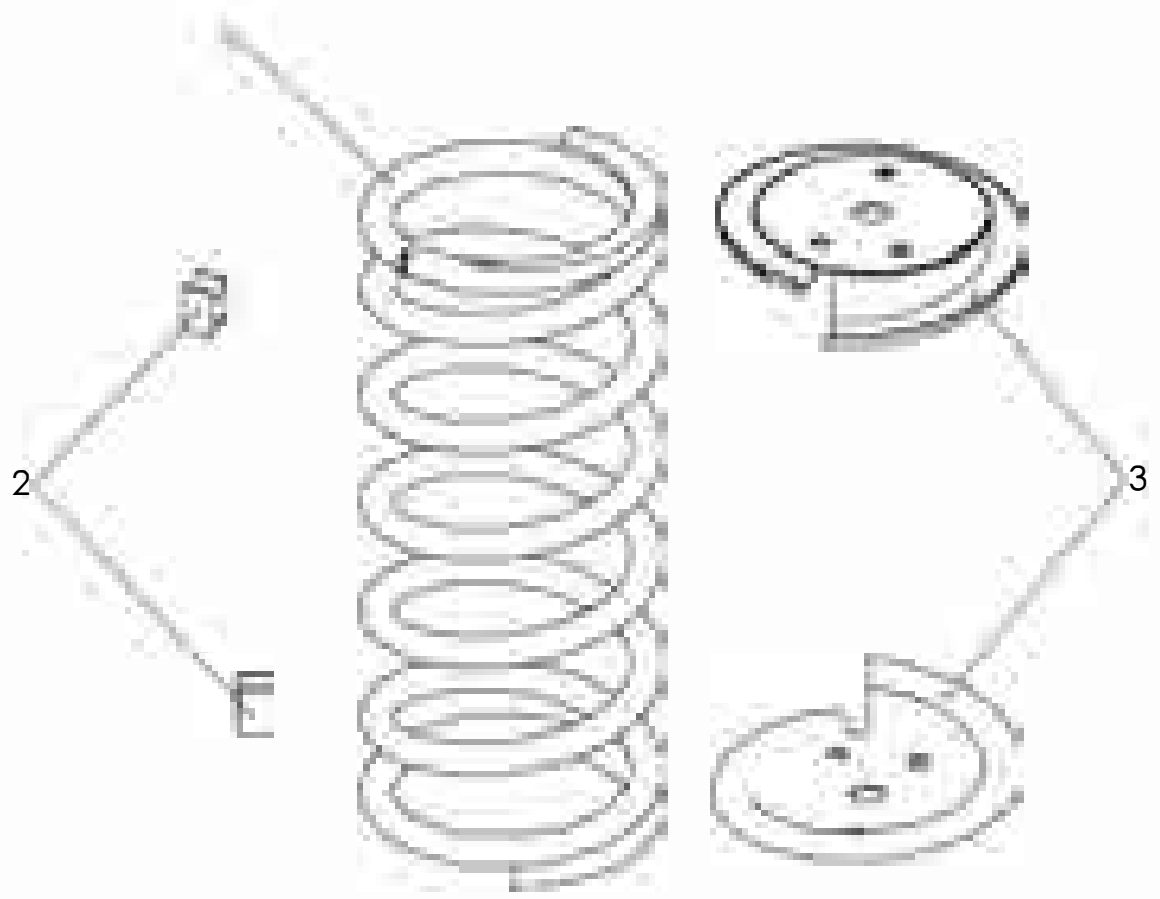
SHEET 4 OF 16

A

B

C

D



| ITEM NO. | PART NUMBER    | DESCRIPTION   | QTY. |
|----------|----------------|---------------|------|
|          | spring         | spring        |      |
| 2        | distance block | HP plastic    | 2    |
| 3        | spring plate   | painted steel | 2    |

UNLESS OTHERWISE SPECIFIED:  
 DIMENSIONS ARE IN MILLIMETERS  
 WEIGHT ARE IN KILOGRAMM

PART NUMBER / DWG NO.:

TKR515

| NAME             | SIGNATURE | DATE       | REVISION |
|------------------|-----------|------------|----------|
| DRAWN E.Reispere |           | 03.10.2024 |          |

DESCRIPTION:

Balance track with spring step

MATERIAL:

wood, metal, plastic

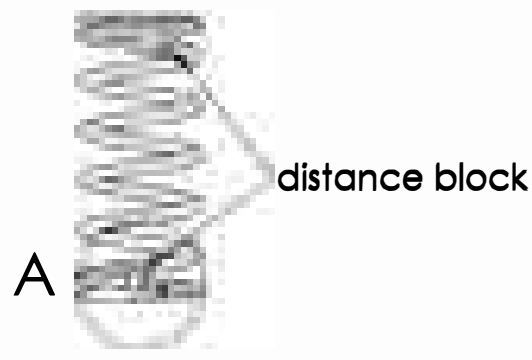
A4

WEIGHT:

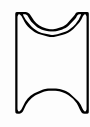
SCALE: 1:4

SHEET 5 OF 16

A



view

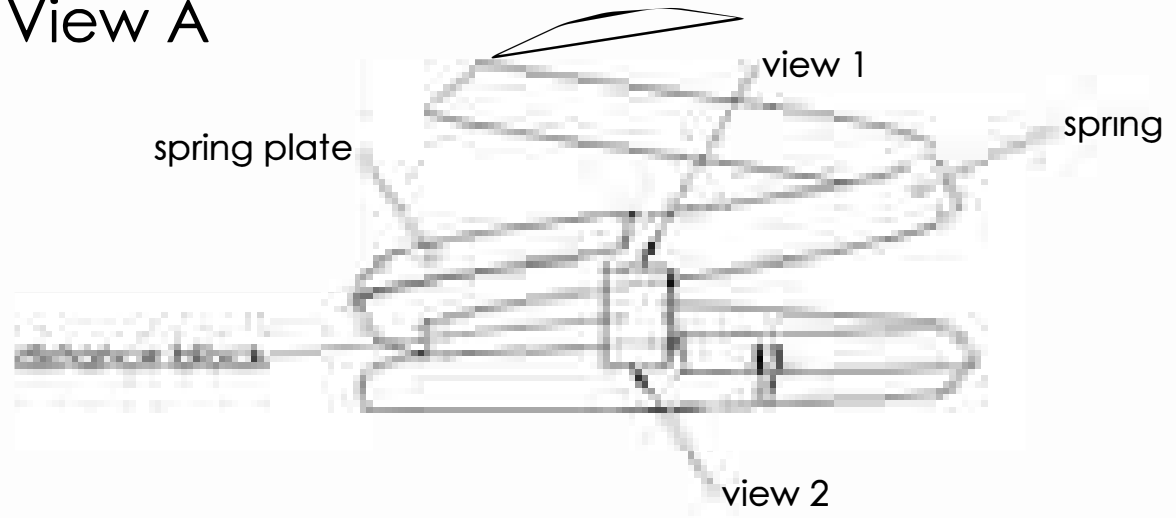


view 2

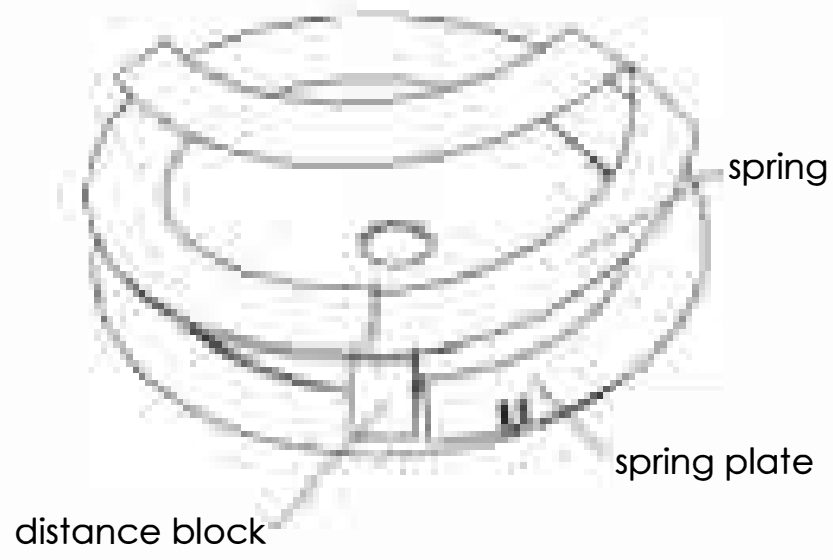
B

# View A

C



D



UNLESS OTHERWISE SPECIFIED:  
DIMENSIONS ARE IN MILLIMETERS  
WEIGHT ARE IN KILOGRAMM

PART NUMBER / DWG NO.:

TKR515

| NAME       | SIGNATURE | DATE       | REVISION |
|------------|-----------|------------|----------|
| E.Reispere |           | 03.10.2024 |          |

DESCRIPTION:

Balance track with spring step

MATERIAL:

wood, metal, plastic

A4

WEIGHT:

SCALE: 1:4

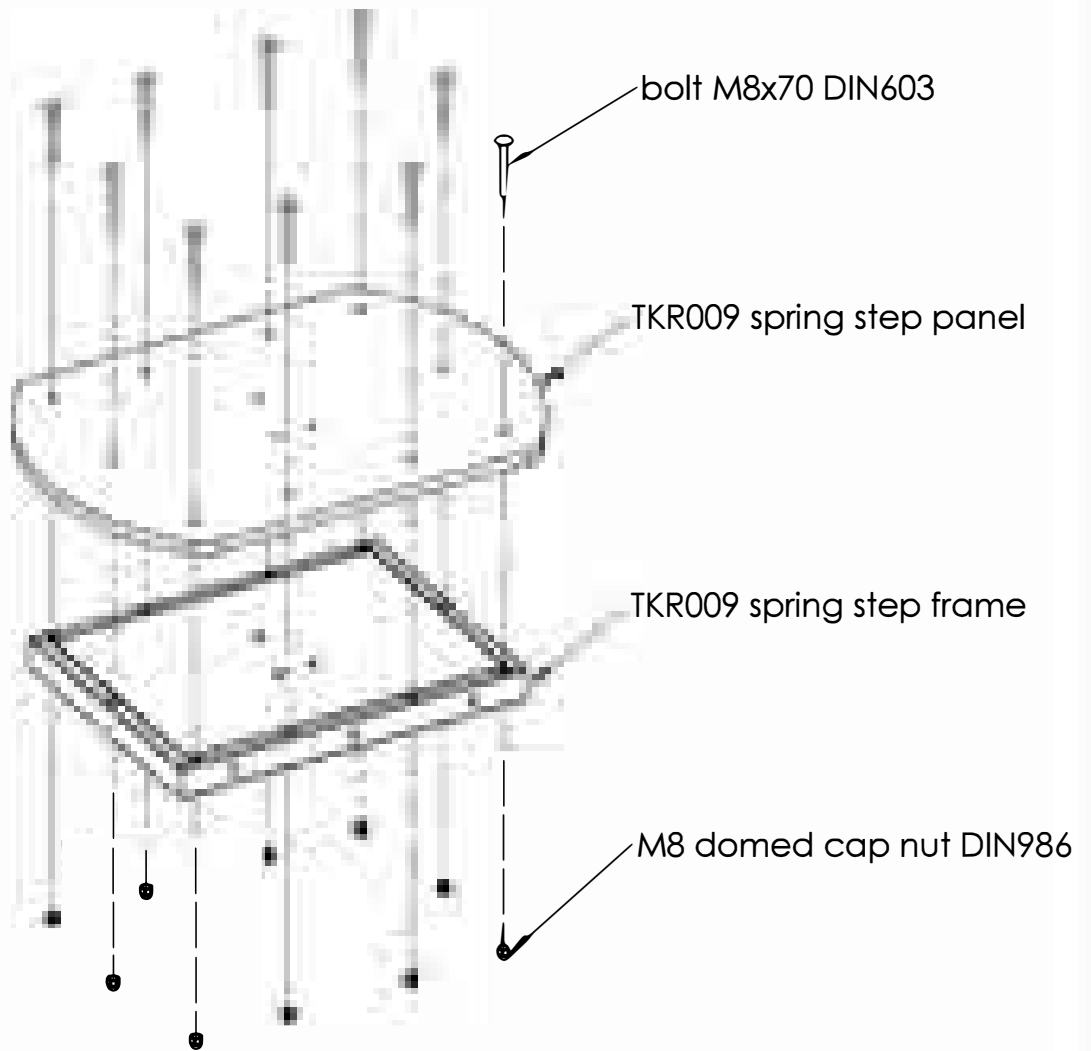
SHEET 6 OF 16

A

B

C

D



UNLESS OTHERWISE SPECIFIED:  
 DIMENSIONS ARE IN MILLIMETERS  
 WEIGHT ARE IN KILOGRAMM

PART NUMBER / DWG NO.:

TKR515

| NAME       | SIGNATURE | DATE       | REVISION |
|------------|-----------|------------|----------|
| E.Reispere |           | 03.10.2024 |          |

DESCRIPTION:

Balance track with spring step

MATERIAL:

wood, metal, plastic

A4

WEIGHT:

SCALE: 1:10

SHEET 7 OF 16

A

bolt M10x50 DIN603

B

TKR009 spring step

C

spring

D

nut cover M12

washer M10 DIN9054

nut M10 DIN985

nut cover cap M12

UNLESS OTHERWISE SPECIFIED:  
DIMENSIONS ARE IN MILLIMETERS  
WEIGHT ARE IN KILOGRAMM

PART NUMBER / DWG NO.:

TKR515

|       | NAME       | SIGNATURE | DATE       | REVISION |
|-------|------------|-----------|------------|----------|
| DRAWN | E.Reispere |           | 03.10.2024 |          |

DESCRIPTION:

Balance track with spring step

MATERIAL:

wood, metal, plastic

A4

WEIGHT:

SCALE: 1:10

SHEET 8 OF 16

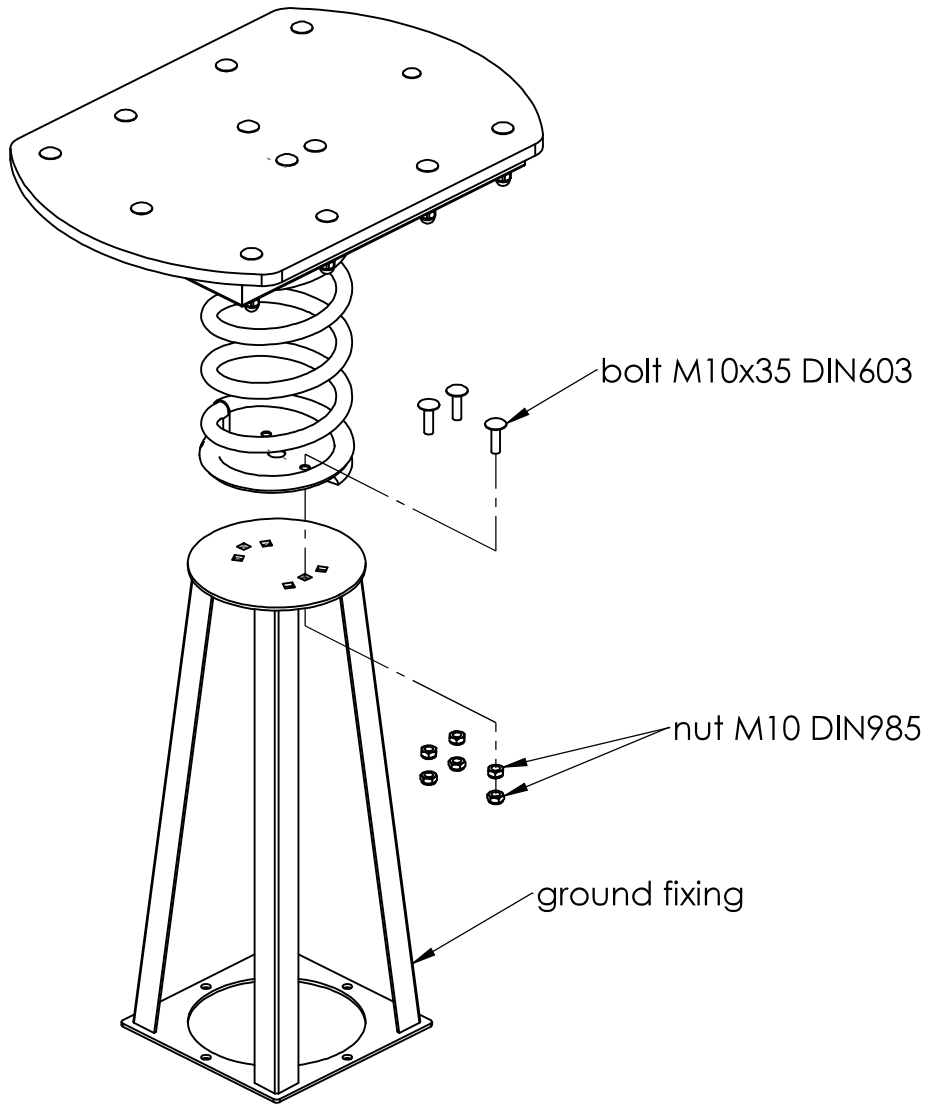
A

B

C

D

E



UNLESS OTHERWISE SPECIFIED:  
 DIMENSIONS ARE IN MILLIMETERS  
 WEIGHT ARE IN KILOGRAMM

PART NUMBER / DWG NO.:

TKR515

|        | NAME       | SIGNATURE | DATE       | REVISION |
|--------|------------|-----------|------------|----------|
| DRAWN  | E.Reispere |           | 03.10.2024 |          |
| APPV'D |            |           |            |          |

DESCRIPTION:

Balance track with spring step

MATERIAL:

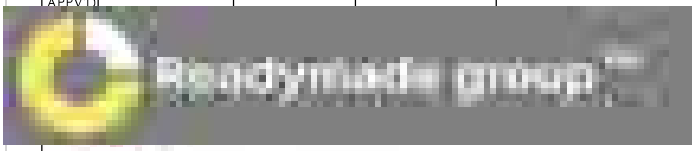
wood, metal, plastic

A4

WEIGHT:

SCALE: 1:10

SHEET 9 OF 16



A

B

C

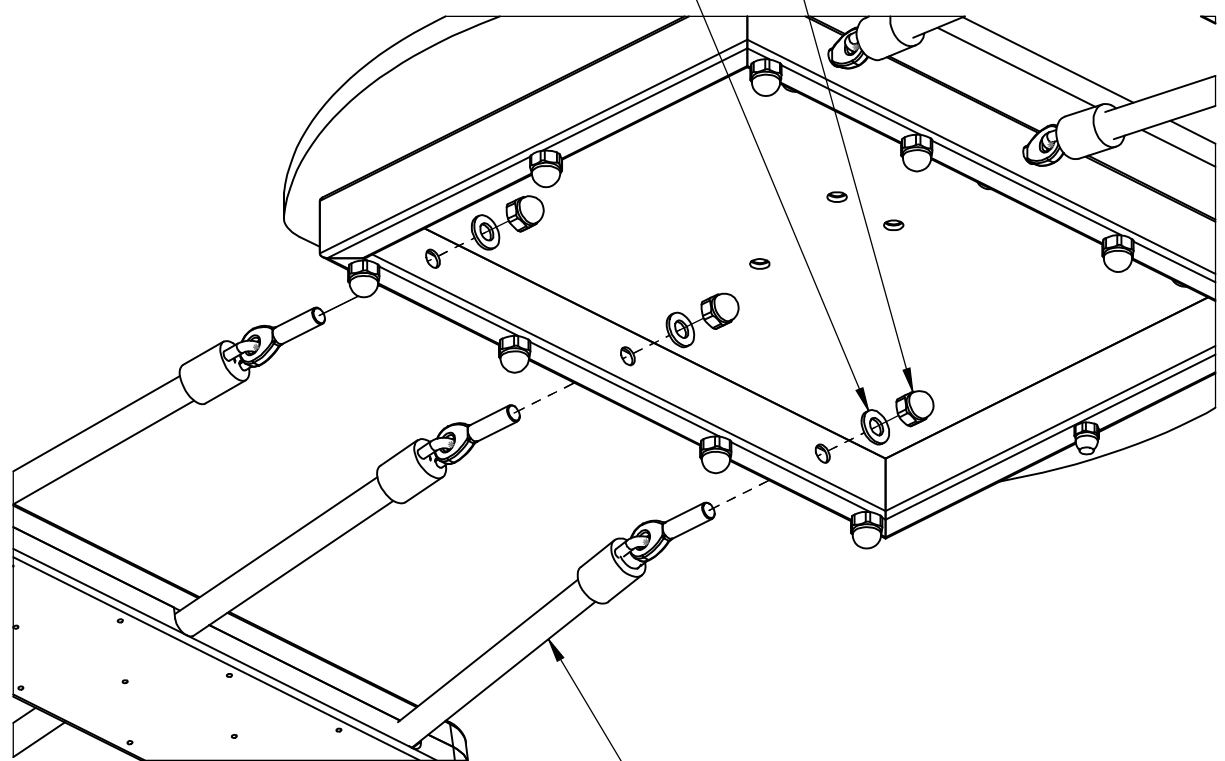
D

E

M10 domed cap nut DIN986

washer M10 DIN125

TKR515 rope with steps



UNLESS OTHERWISE SPECIFIED:  
 DIMENSIONS ARE IN MILLIMETERS  
 WEIGHT ARE IN KILOGRAMM

|        | NAME       | SIGNATURE | DATE       | REVISION |
|--------|------------|-----------|------------|----------|
| DRAWN  | E.Reispere |           | 03.10.2024 |          |
| APPV'D |            |           |            |          |

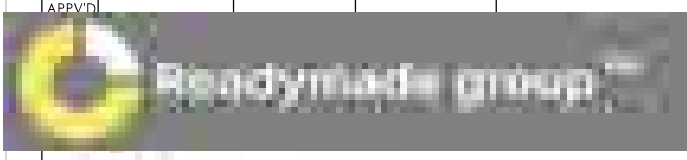
PART NUMBER / DWG NO.:  
**TKR515**

DESCRIPTION:  
 Balance track with spring step

MATERIAL:  
 wood, metal, plastic

A4

WEIGHT: SCALE: 1:10 SHEET 10 OF 16

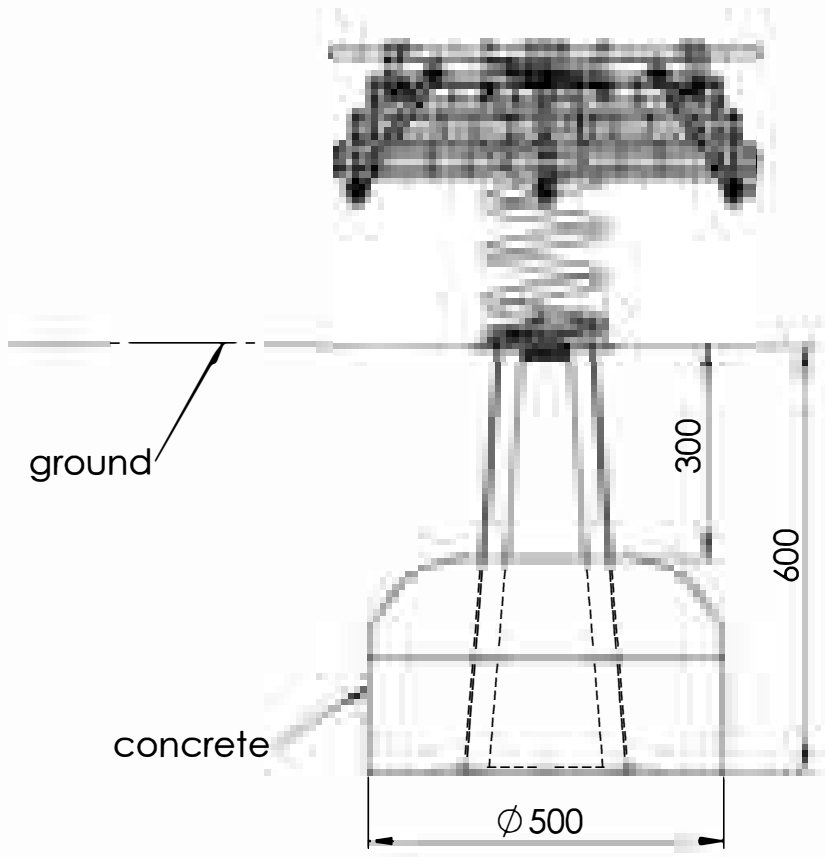


A

B

C

D



UNLESS OTHERWISE SPECIFIED:  
 DIMENSIONS ARE IN MILLIMETERS  
 WEIGHT ARE IN KILOGRAMM

PART NUMBER / DWG NO.:

TKR515

|       | NAME       | SIGNATURE | DATE       | REVISION |
|-------|------------|-----------|------------|----------|
| DRAWN | E.Reispere |           | 03.10.2024 |          |

DESCRIPTION:

Balance track with spring step

MATERIAL:

wood, metal, plastic

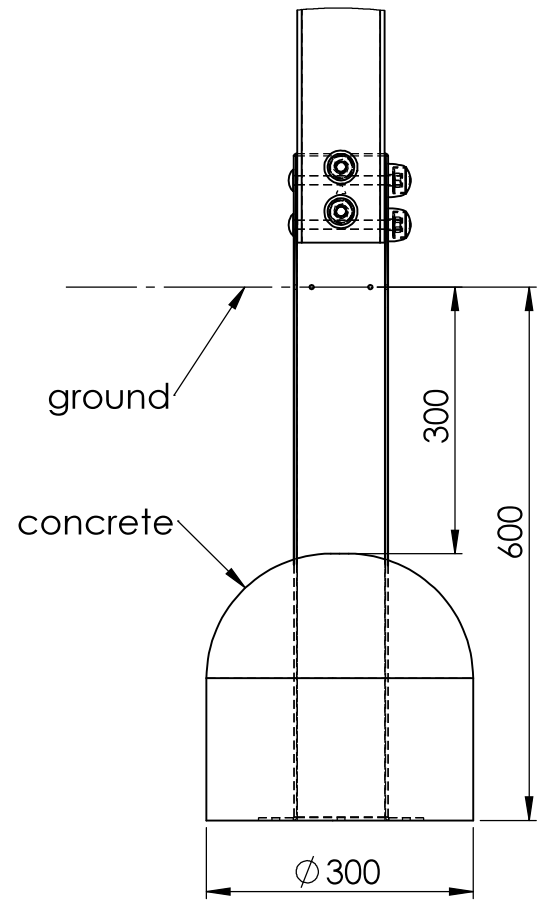
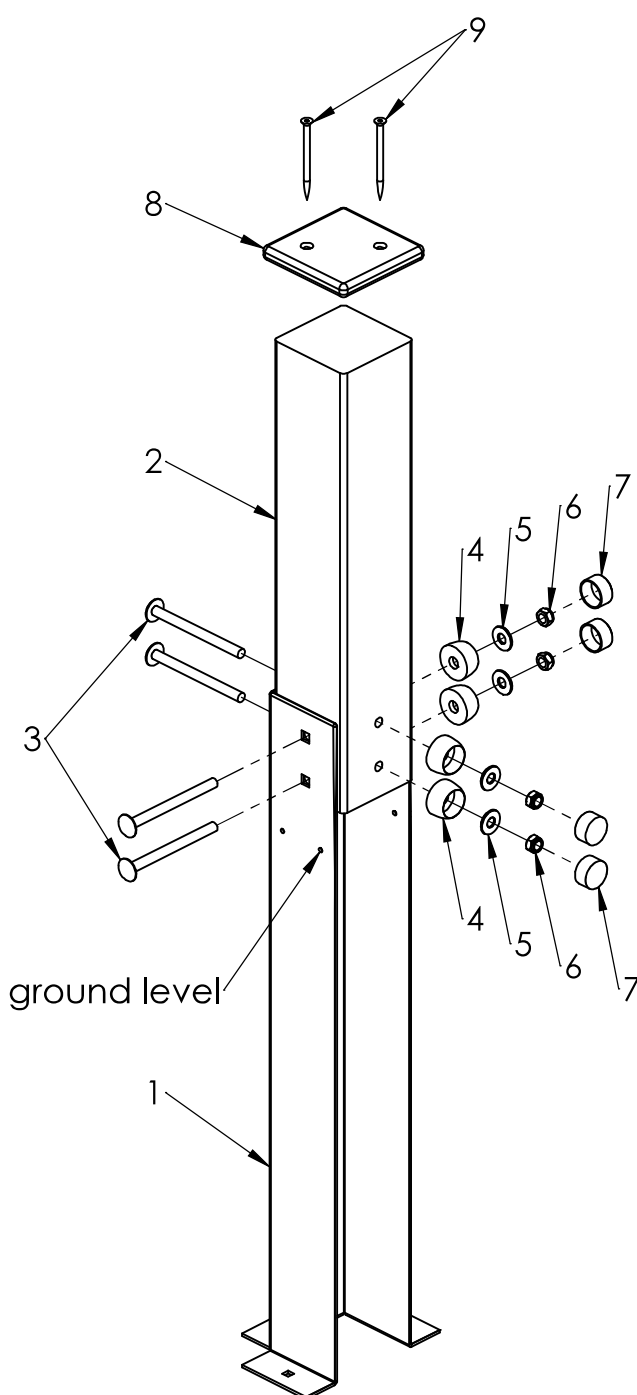
A4

WEIGHT:

SCALE: 1:10

SHEET 11 OF 16

A  
B  
C  
D  
E



| ITEM NO. | DESCRIPTION                |
|----------|----------------------------|
| 1        | U-profile groundfixing 750 |
| 2        | wooden post 98x98          |
| 3        | M10x120 bolt DIN603        |
| 4        | M12 nut cover              |
| 5        | M10 washer DIN9054         |
| 6        | M10 nut DIN985             |
| 7        | M12 nut cover cap          |
| 8        | plastic cap 115x115        |
| 9        | screw PP 6 x 90            |

UNLESS OTHERWISE SPECIFIED:  
DIMENSIONS ARE IN MILLIMETERS  
WEIGHT ARE IN KILOGRAMM

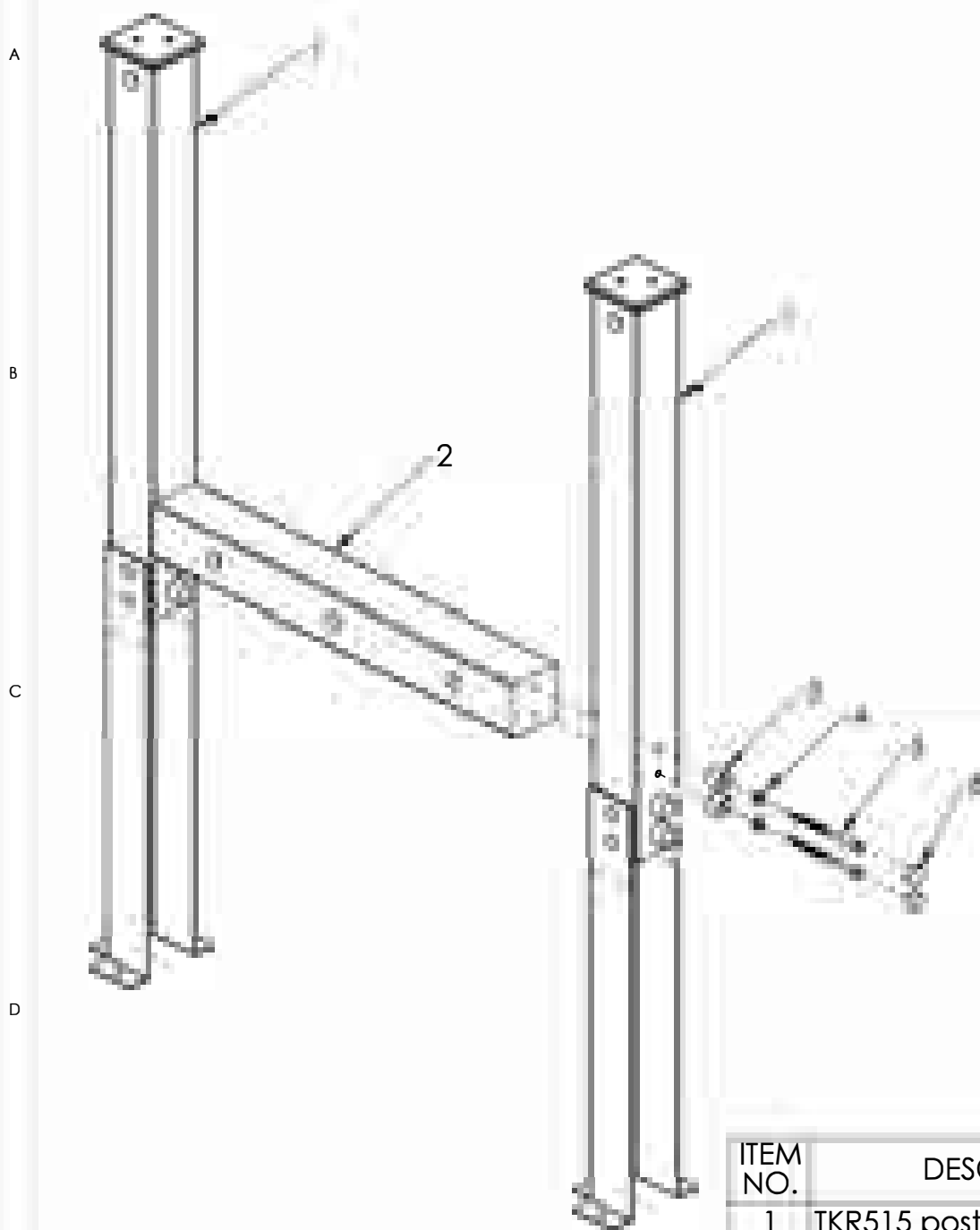
PART NUMBER / DWG NO.:  
**TKR515**

|        | NAME       | SIGNATURE | DATE       | REVISION |
|--------|------------|-----------|------------|----------|
| DRAWN  | E.Reispere |           | 03.10.2024 |          |
| APPV'D |            |           |            |          |

DESCRIPTION:  
**Balance track with spring step**



|           |                      |                |
|-----------|----------------------|----------------|
| MATERIAL: | wood, metal, plastic | A4             |
| WEIGHT:   | SCALE: 1:10          | SHEET 12 OF 16 |



| ITEM NO. | DESCRIPTION              |
|----------|--------------------------|
| 1        | TKR515 post              |
| 2        | TKR515 beam              |
| 3        | nut cover M12            |
| 4        | washer M10 DIN9054       |
| 5        | wood screw 10x160 DIN571 |
| 6        | nut cover cap M12        |

UNLESS OTHERWISE SPECIFIED:  
DIMENSIONS ARE IN MILLIMETERS  
WEIGHT ARE IN KILOGRAMM

PART NUMBER / DWG NO.:

TKR515

| NAME             | SIGNATURE | DATE       | REVISION |
|------------------|-----------|------------|----------|
| DRAWN E.Reispere |           | 03.10.2024 |          |

DESCRIPTION:

Balance track with spring step

MATERIAL:

wood, metal, plastic

A4

WEIGHT:

SCALE: 1:10

SHEET 13 OF 16